

December 17, 2021

Version 2

Head Up Display Image is Blurry or Distorted

Supersedes 21-046, dated October 09, 2020, to revise the information highlighted in **yellow**.

AFFECTED VEHICLES

Year	Model	Trim Level	VIN Range
2019–20	RDX	Advance	ALL

REVISION SUMMARY

Under REPAIR PROCEDURE, Steps 10–13 were updated.

SYMPTOM

The Heads Up Display (HUD) image appears blurry, faded, discolored, or distorted.

POSSIBLE CAUSE

The dark tinted lens that filters the projection of the HUD may fade or discolor over time

CORRECTIVE ACTION

Replace the lens on the HUD assembly.

PARTS INFORMATION

Part Name	Part Number	Quantity
Lens	78259-TJB-A02	1
A-Pillar Trim Clip	91561-T8N-T01	2
Flange Bolt 8x28mm	90134-TJB-A00	1

WARRANTY CLAIM INFORMATION

The normal warranty applies.

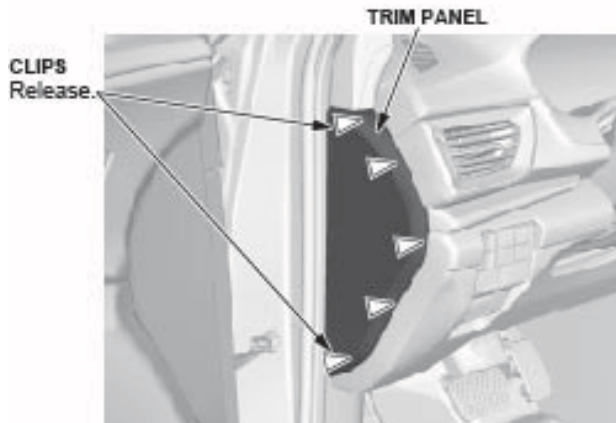
Operation Number	Description	Flat Rate Time	Defect Code	Symptom Code	Template ID	Failed Part Number
7381D1	Replace Head Up Display Lens	1.1 hr	03214	03217	B20046A	78259-TJB-A01

Skill Level: Repair Technician

CLIENT INFORMATION: The information in this bulletin is intended for use only by skilled technicians who have the proper tools, equipment, and training to correctly and safely maintain your vehicle. These procedures should not be attempted by “do-it-yourselfers,” and you should not assume this bulletin applies to your vehicle, or that your vehicle has the condition described. To determine whether this information applies, contact an authorized Acura automobile dealer.

REPAIR PROCEDURE

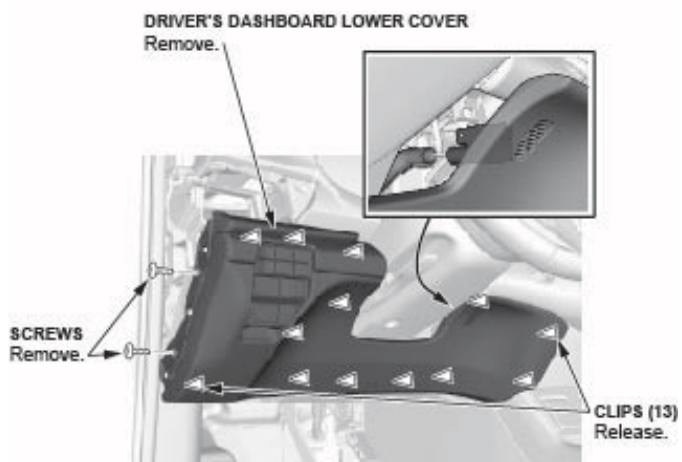
1. Disconnect the negative battery cable, then wait at least 3 minutes before starting work.
2. Remove the driver's and passenger's trim panels.



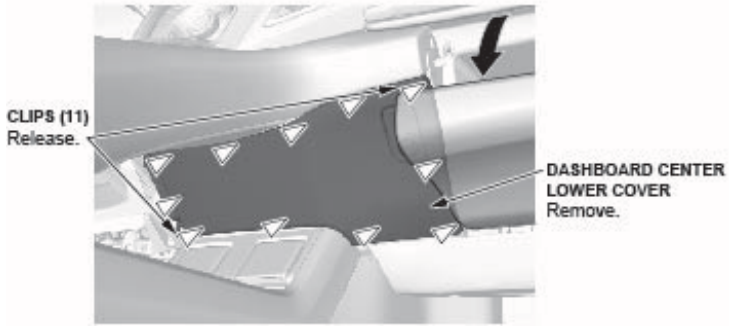
3. Remove the driver's and passenger's vents



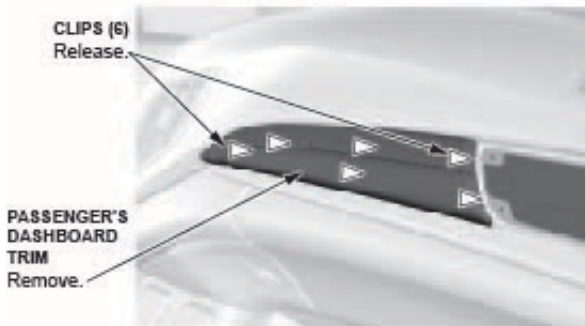
4. Remove the driver's dashboard lower case.



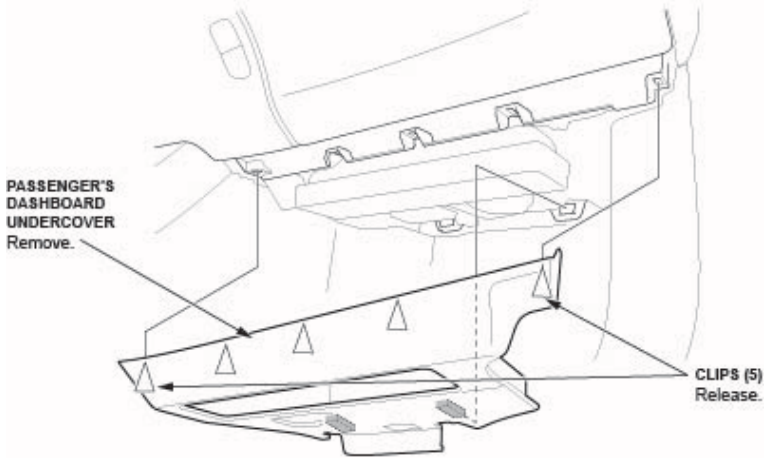
5. Remove the dashboard center lower cover.



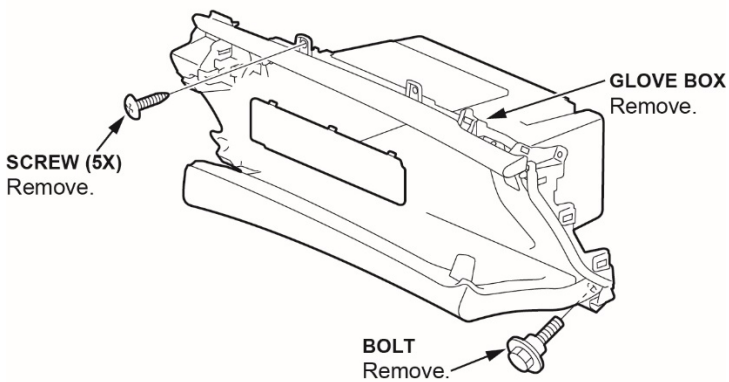
6. Remove the passenger's dashboard trim.



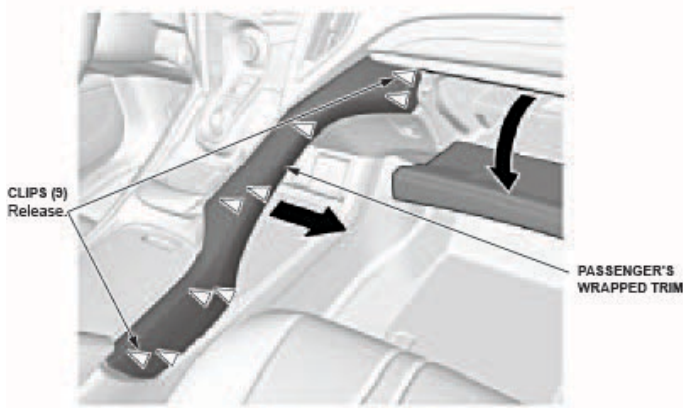
7. Remove the passenger's dashboard undercover.



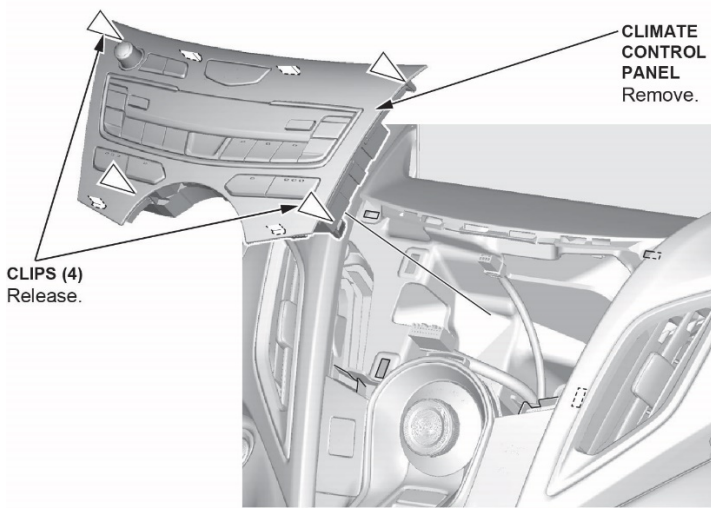
8. Remove the glovebox



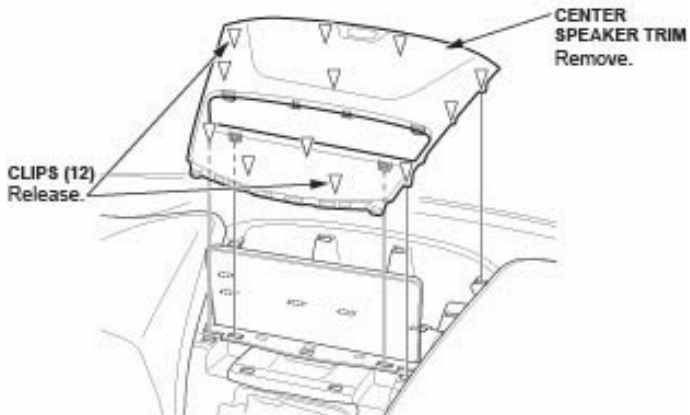
9. Remove the passenger's wrapped trim.



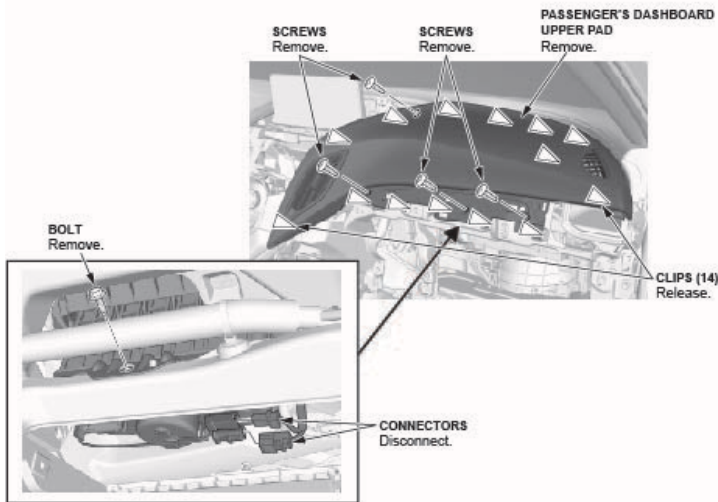
10. Remove the climate control panel.



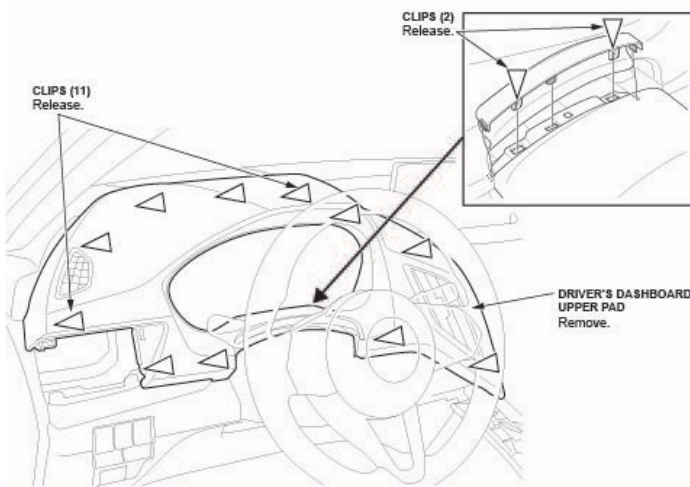
11. Remove the center speaker trim.



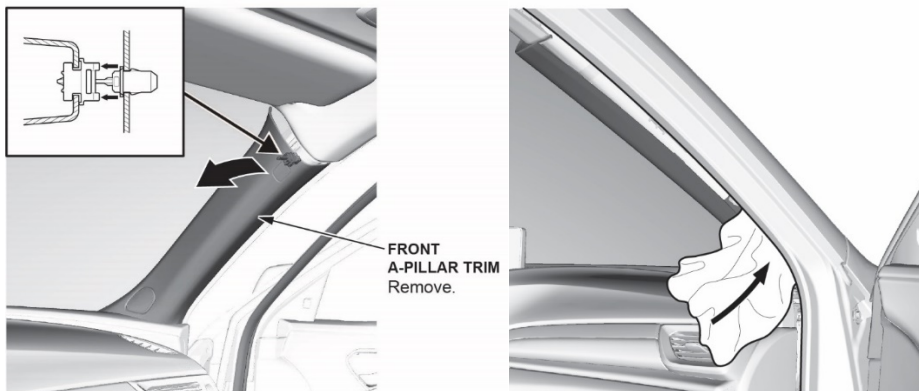
12. Remove the bolt and screws, disconnect the connectors, then remove the passenger's upper pad.



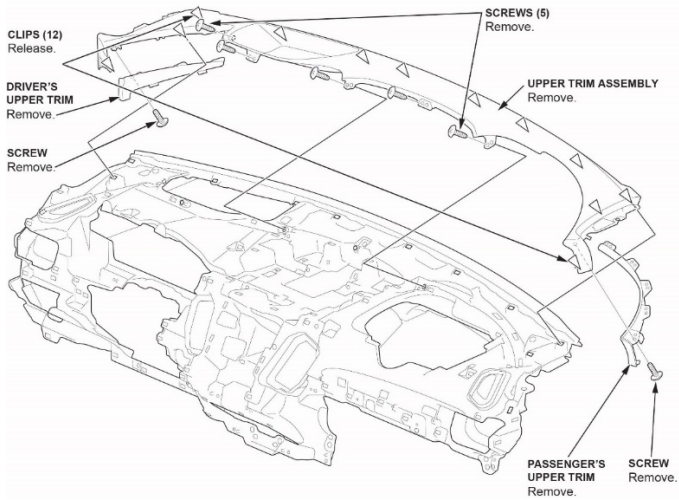
13. Remove the driver's dashboard upper pad.



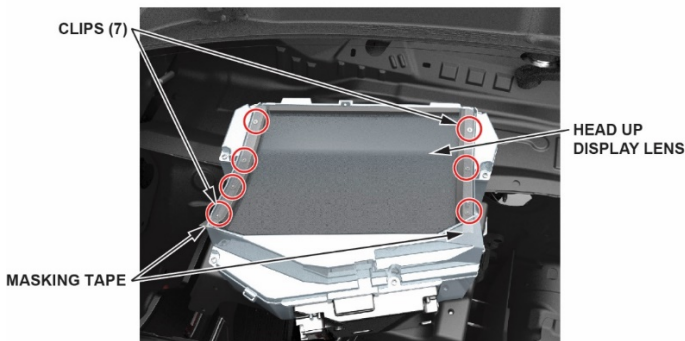
14. Remove the driver's and passenger's front A-pillar trim by doing the following: Pull the trim away at the top, place a rag towards the bottom of the trim, and then slide the trim out of the dashboard.



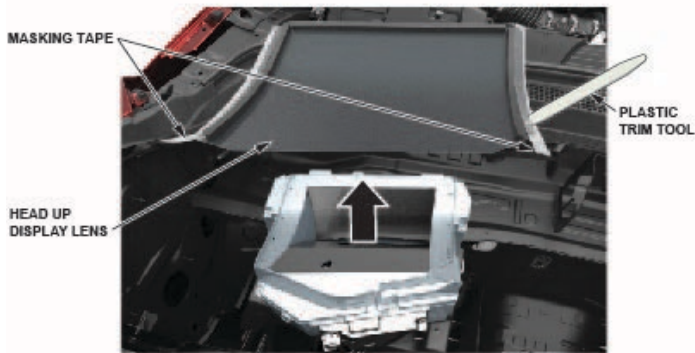
15. Remove the driver's and passenger's upper trim, then remove the upper dashboard trim.



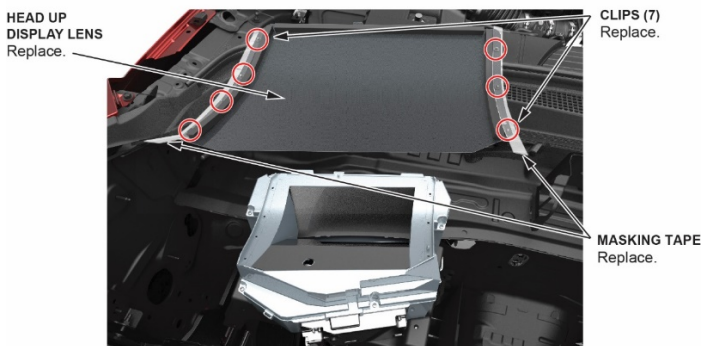
16. Apply masking tape on the back of each clip to hold them in place during removal.



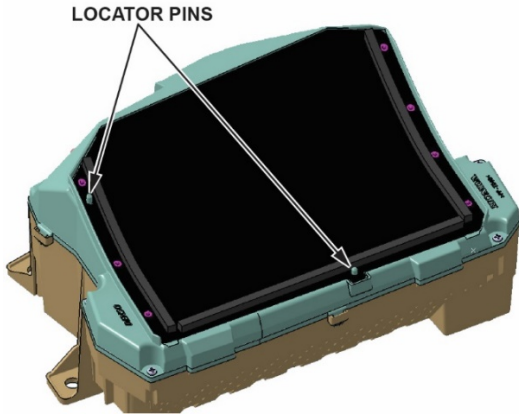
17. Remove the lens by pulling up on the edge using a plastic trim tool.



18. Install the new clips with new masking tape holding them in place while installing the new HUD lens.

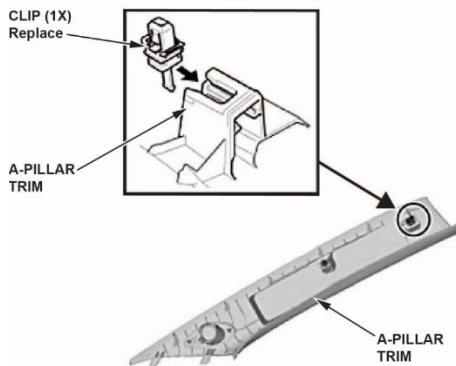


19. Make sure the lens is set onto the locator pins. Push the seven clips in by hand or by using an angled needle-nose plier to set them in place, then remove the masking tape.

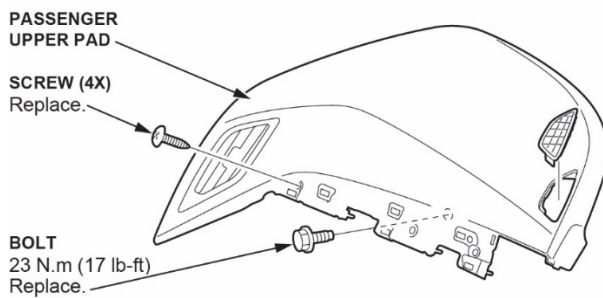


20. Install the remaining parts in reverse order. Replace the following items:

- Replace the driver's and passenger's A-Pillar trim clips.



- Install the passenger's upper pad with a new bolt and torque to **23N.m (17 lb-ft)**.



END