

2022 LC 500, LC 500 Convertible, and LC 500h Pre-Delivery Service (PDS)

Service Category General

Section Pre-Delivery Service

Market USA

Toyota Supports
ASE Certification 

Applicability

YEAR(S)	MODEL(S)	ADDITIONAL INFORMATION
2022	LC500, LC500C, LC500H	

Introduction

This bulletin contains the vehicle specific pre-delivery services for 2022 model year LC 500, LC 500 Convertible, and LC 500h vehicles. Additionally, refer to the applicable Pre-Delivery Service (PDS) Check Sheet for services to be performed.

Warranty Information

OP CODE	DESCRIPTION	TIME	OFP	T1	T2
N/A	Not Applicable to Warranty	–	–	–	–

Procedures

- [D/C Cut Fuse \(30A\) Installation](#)..... 2
- [Front License Plate and Mounting Bracket Installation](#)..... 4
- [Front and Rear Emergency Towing Eyelet Removal](#)..... 6
- [Front and Rear Emergency Towing Eyelet Hole Cover Installation](#) 7
- [Front Wheel Opening Extension Pad Installation](#) 8
- [Installation of Rubber Body Plugs](#) 9

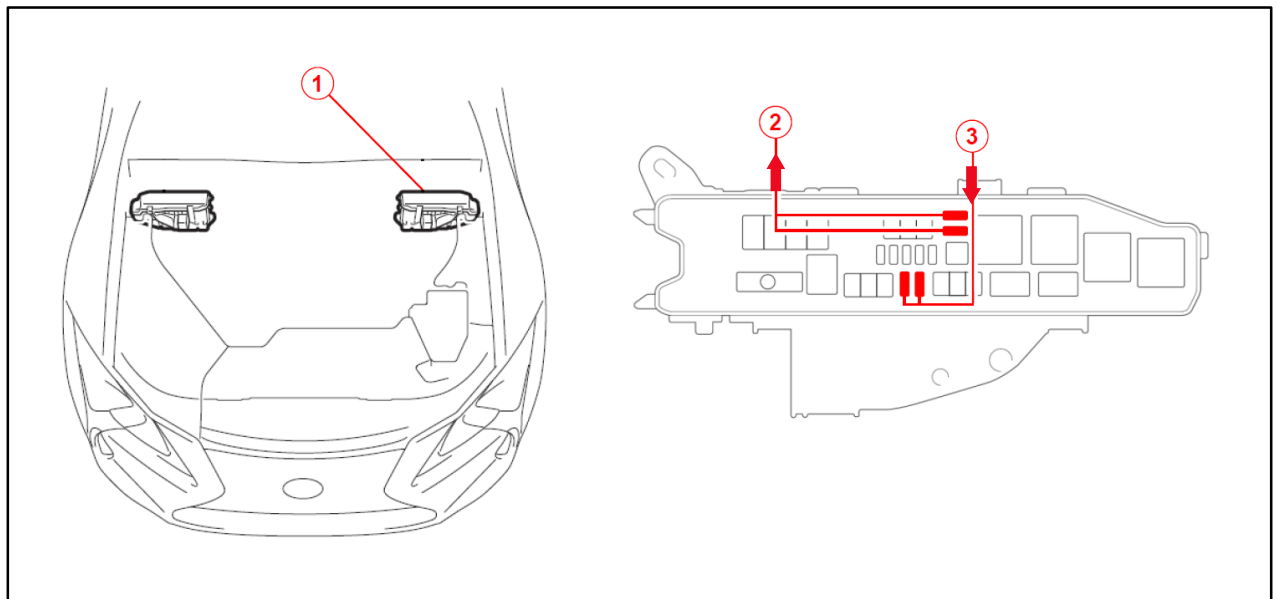
2022 LC 500, LC 500 Convertible, and LC 500h Pre-Delivery Service (PDS)

D/C Cut Fuse (30A) Installation

To minimize battery discharge during transportation and storage, the D/C cut fuses (30A) have been removed at the assembly plant and temporarily stored in the blank spaces of the relay block in the engine compartment.

During PDS, remove the D/C cut fuses (30A) from the blank spaces of the relay block in the engine compartment and install them in the locations shown.

Figure 1. Hybrid Model



1	Relay Block
2	Remove These D/C Cut Fuses (30A)

3	Install D/C Cut Fuses (30A) Here (Original Location)
----------	---

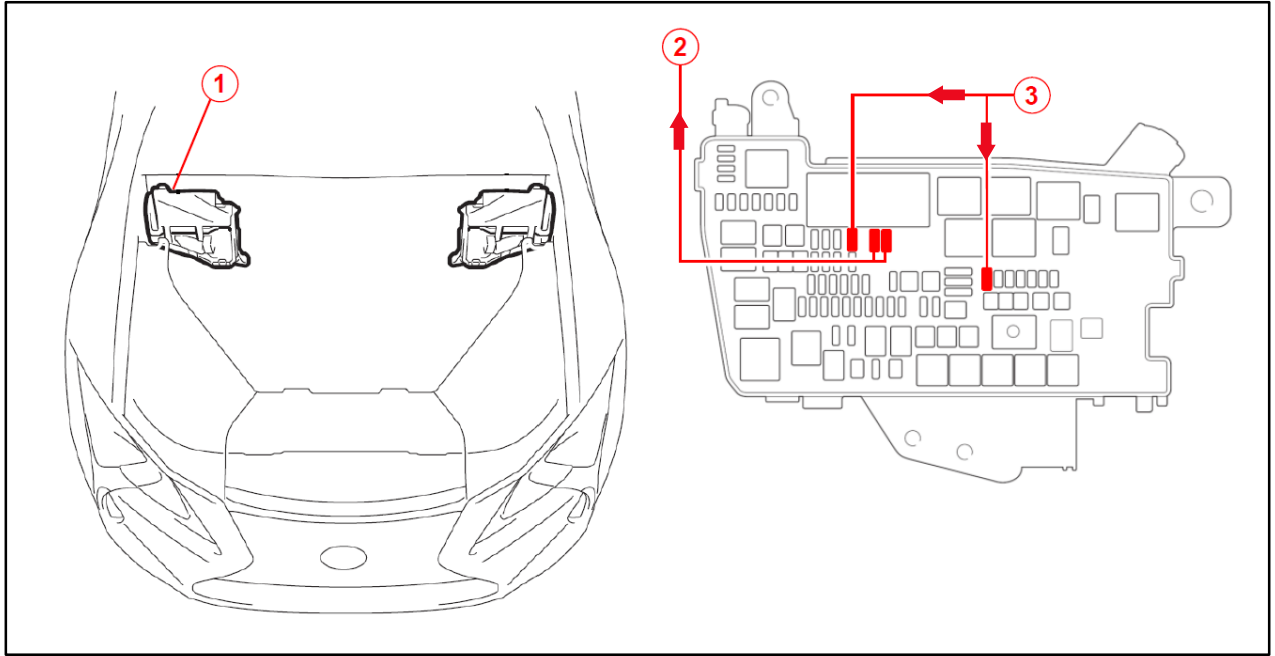
NOTE

While the vehicle is stored at the dealership, disconnect the negative (-) battery terminal to prevent battery discharge. Refer to [L-SB-0013-21](#), *Battery Maintenance During PDS*.

2022 LC 500, LC 500 Convertible, and LC 500h Pre-Delivery Service (PDS)

D/C Cut Fuse (30A) Installation (continued)

Figure 2. Gasoline Model



1	Relay Block
2	Remove These D/C Cut Fuses (30A)

3	Install D/C Cut Fuses (30A) Here (Original Location)
----------	---

NOTE

While the vehicle is stored at the dealership, disconnect the negative (-) battery terminal to prevent battery discharge. Refer to [L-SB-0013-21](#), *Battery Maintenance During PDS*.

2022 LC 500, LC 500 Convertible, and LC 500h Pre-Delivery Service (PDS)

Front License Plate and Mounting Bracket Installation

The front license plate mounting bracket and two self-tapping screws are stored in the luggage compartment. Install the license plate and mounting bracket during PDS according to the following procedure.

1. Place the front license plate mounting bracket over the radiator grille.
2. Align holes "A" of the mounting bracket with the dimples on the front bumper cover. Mark the location of holes "B" on the front bumper cover.

NOTICE

Do NOT drill into the dimples on the front bumper cover.

NOTE

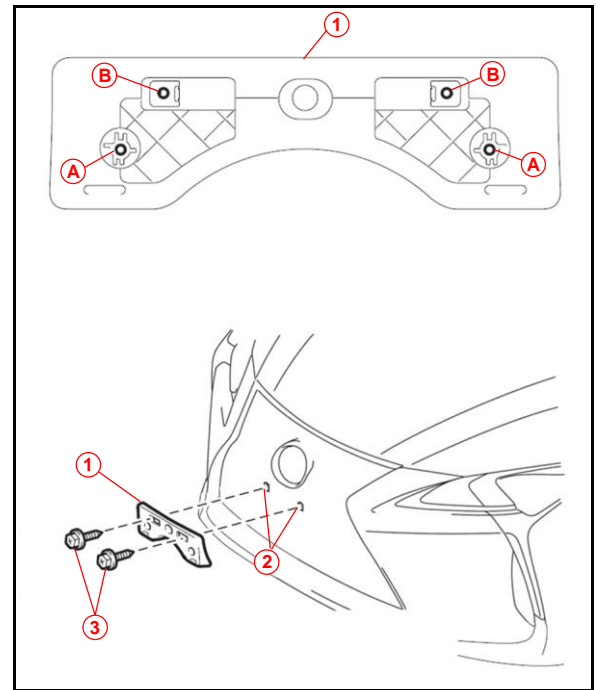
- Holes "A" are used to install the mounting bracket onto the radiator grille.
- Holes "B" are used to install the front license plate onto the mounting bracket.

3. Screw the two self-tapping screws directly into the dimples to install the front license plate mounting bracket.

NOTICE

Do NOT overtighten the self-tapping screws.

Figure 3.



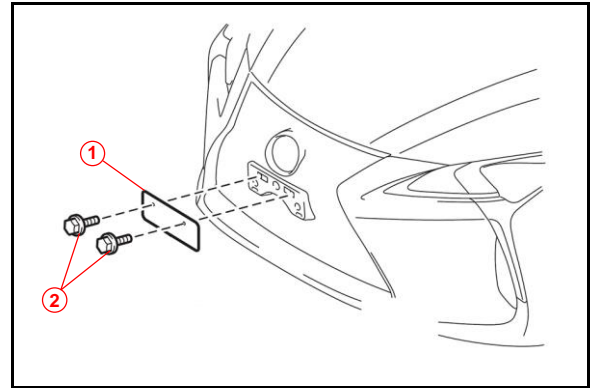
1	Mounting Bracket
2	Dimple
3	Self-tapping Screw

2022 LC 500, LC 500 Convertible, and LC 500h Pre-Delivery Service (PDS)

Front License Plate and Mounting Bracket Installation (continued)

4. Install the front license plate onto the mounting bracket using two bolts of noncorroding type with the following dimensions as shown.

Figure 4.

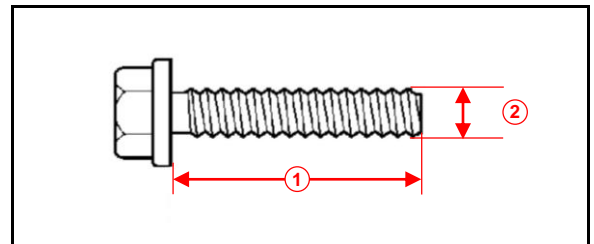


1	Front License Plate
2	Bolt

Nominal Length: 15.0 mm (0.59 in.)

Diameter: 6.0 mm (0.24 in.)

Figure 5.



1	Nominal Length
2	Diameter

2022 LC 500, LC 500 Convertible, and LC 500h Pre-Delivery Service (PDS)

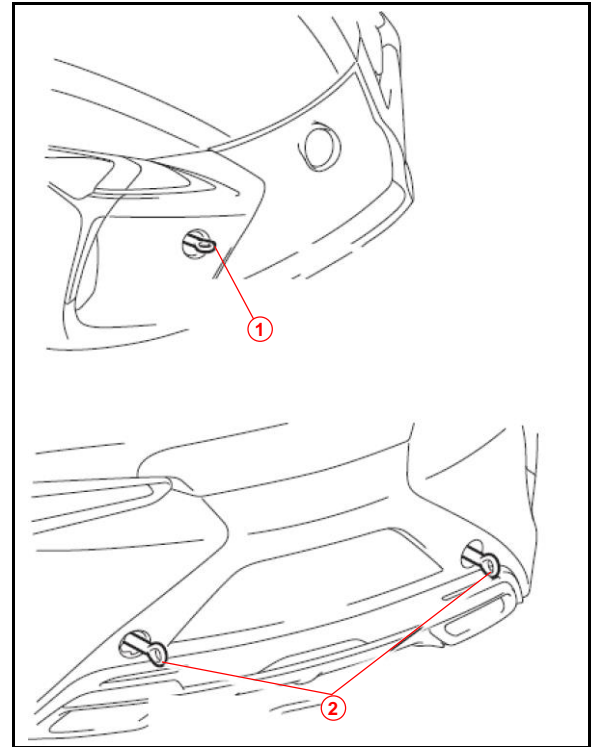
Front and Rear Emergency Towing Eyelet Removal

1. Remove the front and rear emergency towing eyelets from the front and rear bumpers by turning them counterclockwise.

HINT

If it is difficult to loosen the front emergency towing eyelet, use a steel bar.

Figure 6.



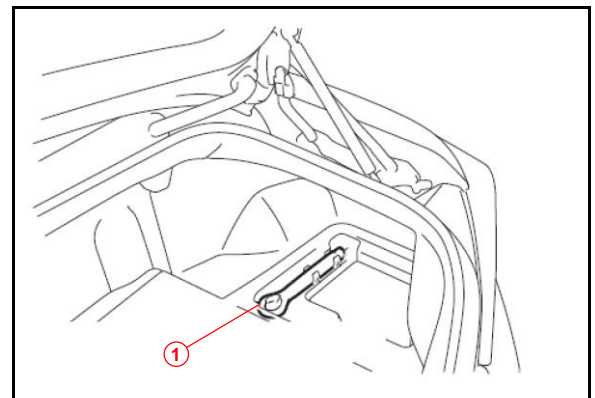
1	Front Emergency Towing Eyelet
2	Rear Emergency Towing Eyelet

2. Place one of the removed emergency towing eyelets into the luggage tray in the luggage compartment.

HINT

Dispose of the other removed emergency towing eyelets.

Figure 7.



1	Emergency Towing Eyelet
----------	--------------------------------

2022 LC 500, LC 500 Convertible, and LC 500h Pre-Delivery Service (PDS)

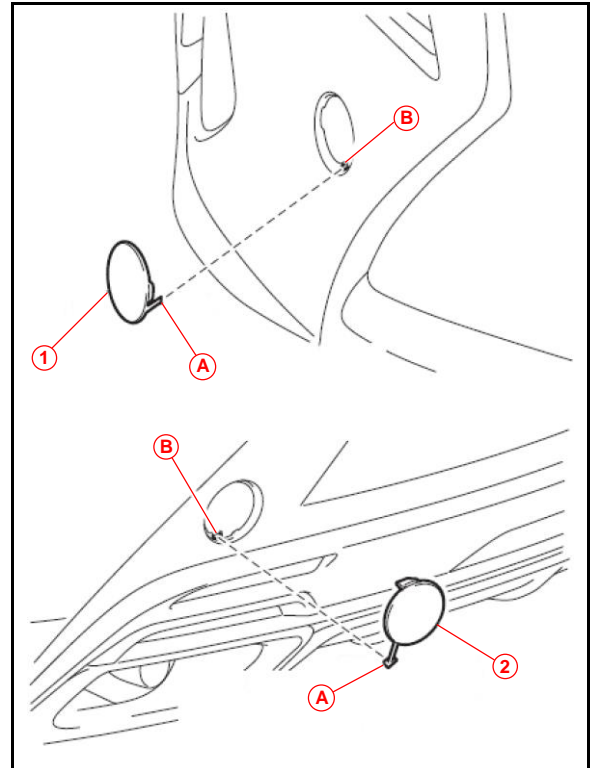
Front and Rear Emergency Towing Eyelet Hole Cover Installation

1. Install the front and rear emergency towing eyelet hole covers, which are stored in the glove compartment, onto the front and rear bumpers.
 - A. Insert the arrow-shaped part of the emergency towing eyelet hole cover "A" into the eyelet hole "B" as shown.
 - B. Install the emergency towing eyelet hole cover to the hole of the bumper.

HINT

Make sure the front emergency towing eyelet hole cover is installed in the front, and the rear emergency towing eyelet hole cover is installed in the rear.

Figure 8.



A	Arrow-shaped Part
B	Eyelet Hole
1	Front Emergency Towing Eyelet Hole Cover
2	Rear Emergency Towing Eyelet Hole Cover

2022 LC 500, LC 500 Convertible, and LC 500h Pre-Delivery Service (PDS)

Front Wheel Opening Extension Pad Installation

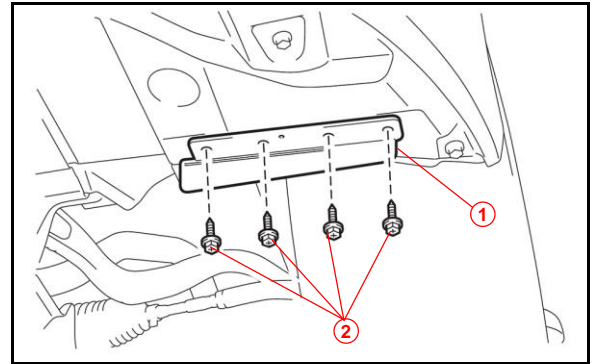
The front wheel opening extension pad set (right and left front wheel opening extension pads and four self-tapping screws) is placed in the luggage compartment at the assembly plant to avoid damage in transit.

NOTE

Use the same procedure for the right-hand side and left-hand side. The procedure listed below is for the left-hand side. There is a distinguishable mark on each pad indicating the left- and right-side pads.

1. Place the left front wheel opening extension pad on the installation position and tighten the four self-tapping screws.

Figure 9.



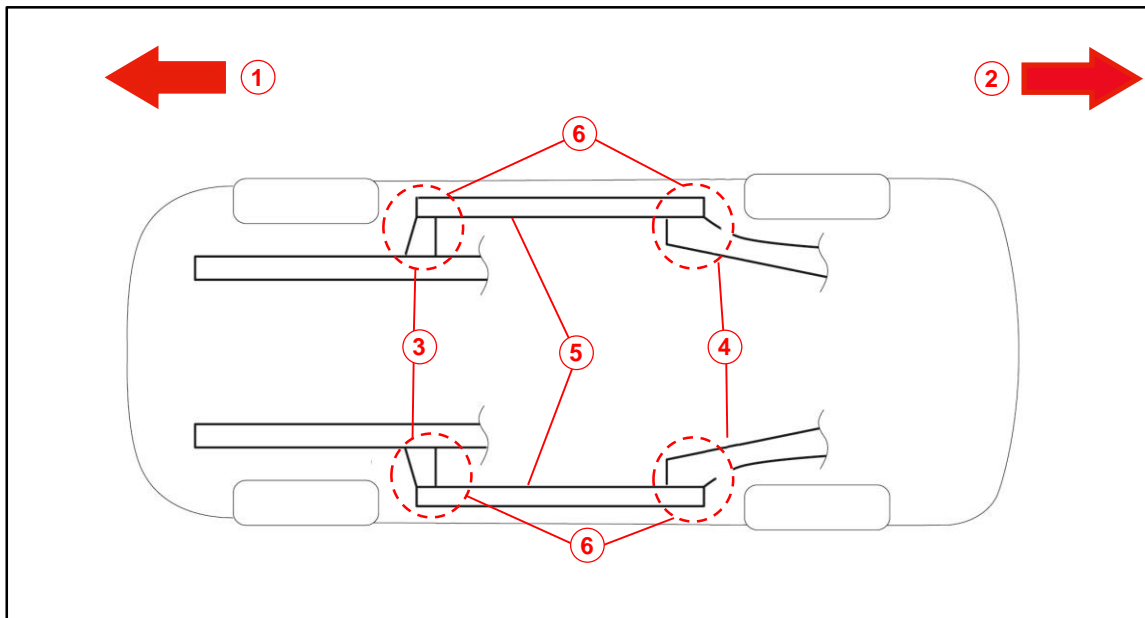
1	Front Wheel Opening Extension Pad
2	Self-tapping Screw

2022 LC 500, LC 500 Convertible, and LC 500h Pre-Delivery Service (PDS)

Installation of Rubber Body Plugs

1. Confirm the number of plugs in the glove box. If two plugs are present, perform substep 2A ONLY. If four plugs are present, perform substep 2A AND substep 2B.
2. Install plugs according to the instructions below by confirming the number of plugs in the glove box.
 - A. Install two plugs in the rear side member hole or rocker inner hole as shown.
 - B. Install two plugs in the torque box hole or rocker inner hole as shown.

Figure 10.



1	Front Side
2	Rear Side
3	Torque Box Hole or Rocker Inner Hole
4	Rear Side Member Hole or Rocker Inner Hole
5	Rocker Inner
6	Install Plug Here (if Applicable)

NOTICE

- The installation of these plugs is required to prevent rust.
- These plugs are stored in the glove box.
- The number of plugs may vary according to production locations in the same vehicle model.