



Technical Service Bulletin

SUBJECT:		No: TSB-21-52B-003	
UPDATES TO SUPPLEMENTAL RESTRAINT SYSTEM (SRS) - SERVICE MANUAL REVISION		DATE: October 2021	
		MODEL: See Below	
CIRCULATE TO:	<input type="checkbox"/> GENERAL MANAGER	<input checked="" type="checkbox"/> PARTS MANAGER	<input checked="" type="checkbox"/> TECHNICIAN
<input checked="" type="checkbox"/> SERVICE ADVISOR	<input checked="" type="checkbox"/> SERVICE MANAGER	<input checked="" type="checkbox"/> WARRANTY PROCESSOR	<input type="checkbox"/> SALES MANAGER

PURPOSE

This TSB provides updated content for the Supplemental Restraint System (SRS) section of the affected Service Manuals, Side Impact Sensor.

AFFECTED VEHICLES

- 2014, 2015, 2018, 2020, and 2021 Mirage
- 2019, 2020, and 2021 Mirage G4

AFFECTED SERVICE MANUAL

- 2014, 2015, 2018, 2020 and 2021 Mirage Service Manual, Group 52-Supplemental Restraint System (SRS) -> Side Impact Sensor
- 2019, 2020, and 2021 Mirage G4 Service Manual, Group 52-Supplemental Restraint System (SRS) -> Side Impact Sensor



Please replace the pages in the 2014, 2015, 2018 and 2020 Mirage Service Manuals, Group 52-Supplemental Restraint System (SRS) section as follows:

- 2014 Mirage Service Manual, Group 52 Supplemental Restraint System (SRS) -> Side Impact Sensor - Attached sheet 5
- 2015 Mirage Service Manual, Group 52 Supplemental Restraint System (SRS) -> Side Impact Sensor - Attached sheet 5
- 2018 Mirage Service Manual, Group 52 Supplemental Restraint System (SRS) -> Side Impact Sensor - Attached sheet 8
- 2020 Mirage Service Manual, Group 52 Supplemental Restraint System (SRS) -> Side Impact Sensor - Attached sheet 8
- 2021 Mirage Service Manual, Group 52 Supplemental Restraint System (SRS) -> Side Impact Sensor - Attached sheet 10

Please replace the pages in the 2019, 2020 and 2021 Mirage G4 Service Manuals, Group 52-Supplemental Restraint System (SRS) section as follows:

- 2019 Mirage G4 Service Manual, Group 52 Supplemental Restraint System (SRS) -> Side Impact Sensor - Attached sheet 12
- 2020 Mirage G4 Service Manual, Group 52 Supplemental Restraint System (SRS) -> Side Impact Sensor - Attached sheet 12
- 2021 Mirage G4 Service Manual, Group 52 Supplemental Restraint System (SRS) -> Side Impact Sensor - Attached sheet 14

SIDE IMPACT SENSOR

REMOVAL AND INSTALLATION

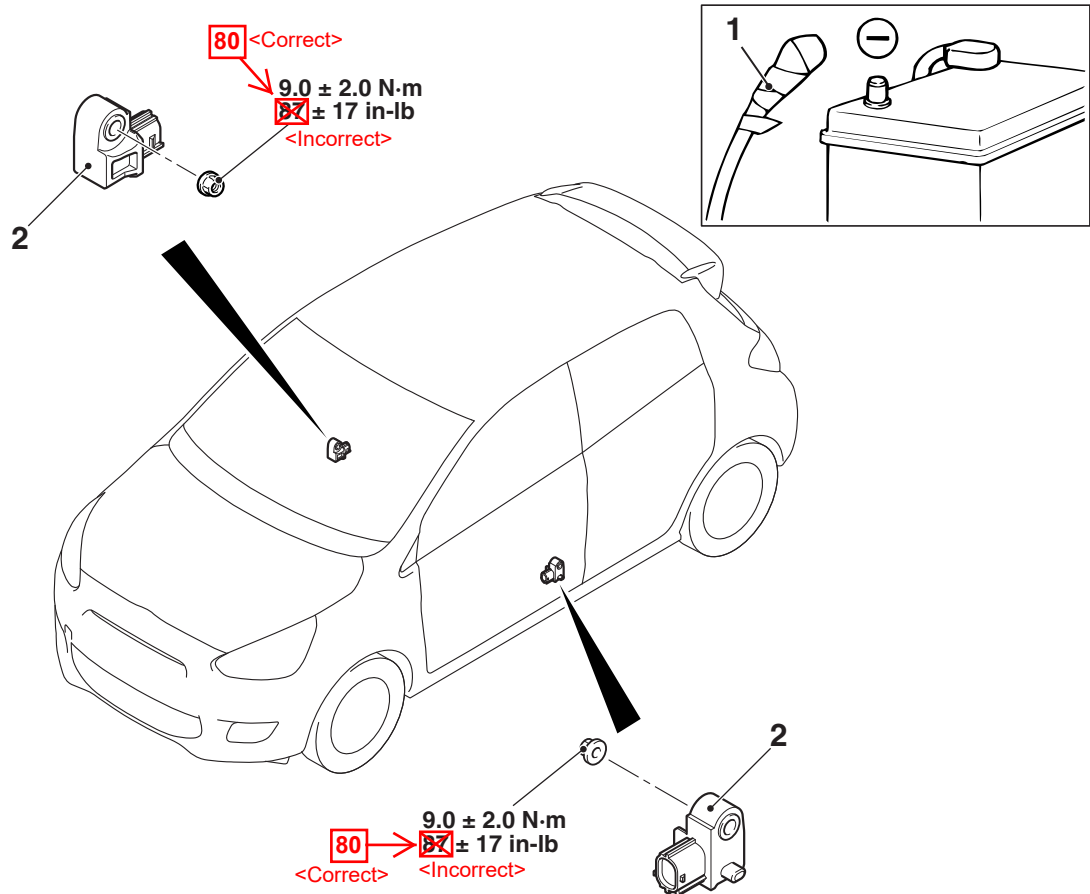
M1524004601473

WARNING

- Never attempt to disassemble or repair the side impact sensor. If faulty, replace it.
- Do not drop or subject the side impact sensor to impact or vibration. Replace the side impact sensor, if dents, cracking, deformation, or rust are present.
- Replace the side impact sensor after the side and curtain air bag has deployed.

Pre-removal operation

- Turn the ignition switch to the LOCK (OFF) position.



ACC01859AB

<<A>>

- Removal steps**
1. Negative (-) battery cable
 - Center pillar trim lower (Refer to GROUP 52A – Interior Trim P.52A-9).

<<A>>

2. Side impact sensor

>>A<<

Installation steps

- Pre-installation inspection
- >>B<<
2. Side impact sensor
 - Center pillar trim lower (Refer to GROUP 52A – Interior Trim P.52A-9).
- 1.
- >>C<<
- Post-installation inspection

SIDE IMPACT SENSOR

REMOVAL AND INSTALLATION

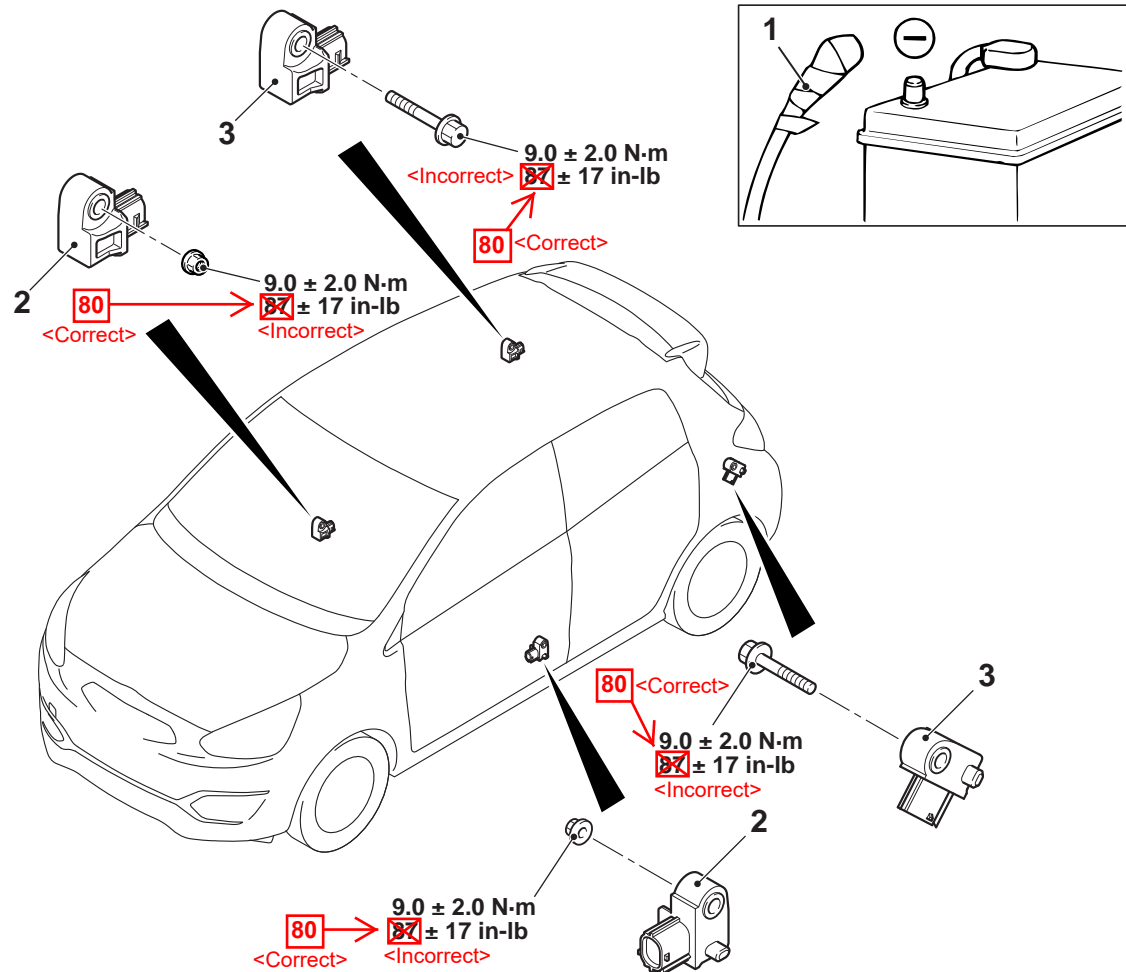
M1524004601633

WARNING

- Never attempt to disassemble or repair the side impact sensor. If faulty, replace it.
- Do not drop or subject the side impact sensor to impact or vibration. Replace the side impact sensor, if dents, cracking, deformation, or rust are present.
- Replace the side impact sensor after the side and curtain air bag has deployed.

Pre-removal operation

- Turn the ignition switch to the "LOCK" (OFF) position.



ACF06614 AB

- | | | |
|-----------------------------------------------------------------------------------------------------|-------------------------------------------------------------------------------------------------------------------------------------------------------------------------------------------------------------------------------------------------------------------------------------------------------------------------------------------------------------------------------------------------------------------------------------------------------------------------------------------|--------------------------------------------------------------------------------------------------------------------------------------------------------------------------------------------------------------------------------------------------------------------------------------------------------------------------------------------------|
| <p><<A>></p> <p><></p> <p>>>A<<</p> <p>>>B<<</p> | <p>Side impact sensor (front) removal steps</p> <ol style="list-style-type: none"> 1. Negative battery cable <ul style="list-style-type: none"> • Center pillar trim lower (Refer to GROUP 52A – Interior Trim P.52A-10). 2. Side impact sensor (front) <p>Side impact sensor (front) installation steps</p> <ol style="list-style-type: none"> • Pre-installation inspection 2. Side impact sensor (front) | <p>Side impact sensor (front) installation steps (Continued)</p> <ul style="list-style-type: none"> • Center pillar trim lower (Refer to GROUP 52A – Interior Trim P.52A-10). <p>>>C<<</p> <ol style="list-style-type: none"> 1. Negative battery cable • Post-installation inspection |
|-----------------------------------------------------------------------------------------------------|-------------------------------------------------------------------------------------------------------------------------------------------------------------------------------------------------------------------------------------------------------------------------------------------------------------------------------------------------------------------------------------------------------------------------------------------------------------------------------------------|--------------------------------------------------------------------------------------------------------------------------------------------------------------------------------------------------------------------------------------------------------------------------------------------------------------------------------------------------|

SIDE IMPACT SENSOR

REMOVAL AND INSTALLATION

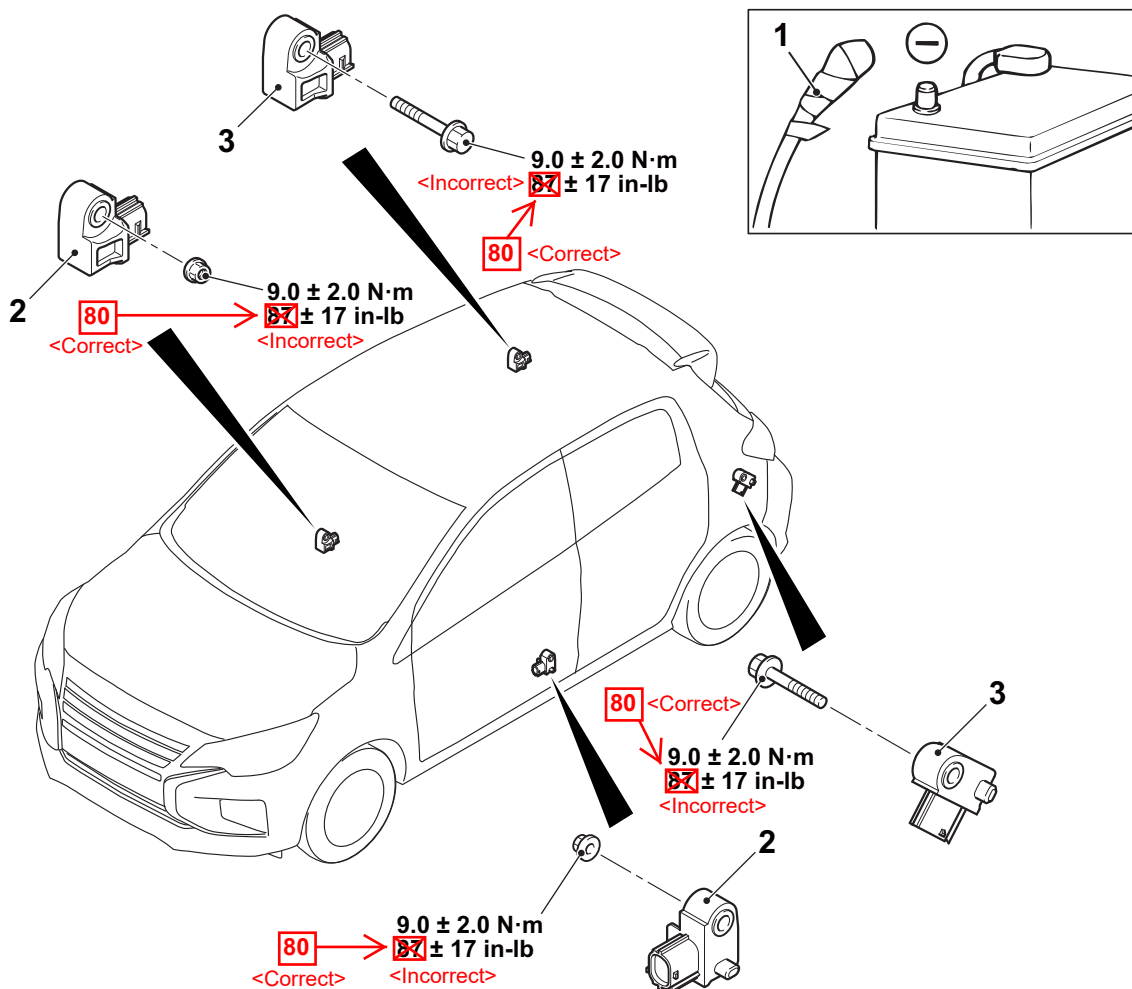
M15240046A0006

⚠ WARNING

- Never attempt to disassemble or repair the side impact sensor. If faulty, replace it.
- Do not drop or subject the side impact sensor to impact or vibration. Replace the side impact sensor, if dents, cracking, deformation, or rust are present.
- Replace the side impact sensor after the side and curtain air bag has deployed.

Pre-removal operation

- Turn the ignition switch to the "LOCK" (OFF) position.



BCF06614AA

Side impact sensor (front) removal steps

<<A>>

1. Negative battery cable
 - Center pillar trim lower (Refer to GROUP 52A – Interior Trim P.52A-11)

<>

2. Side impact sensor (front)
- Side impact sensor (front) installation steps**

- Pre-installation inspection

- Side impact sensor (front)

Side impact sensor (front) installation steps

>>C<<

- Center pillar trim lower (Refer to GROUP 52A – Interior Trim P.52A-11)
1. Negative battery cable
 - Post-installation inspection

SIDE IMPACT SENSOR

REMOVAL AND INSTALLATION

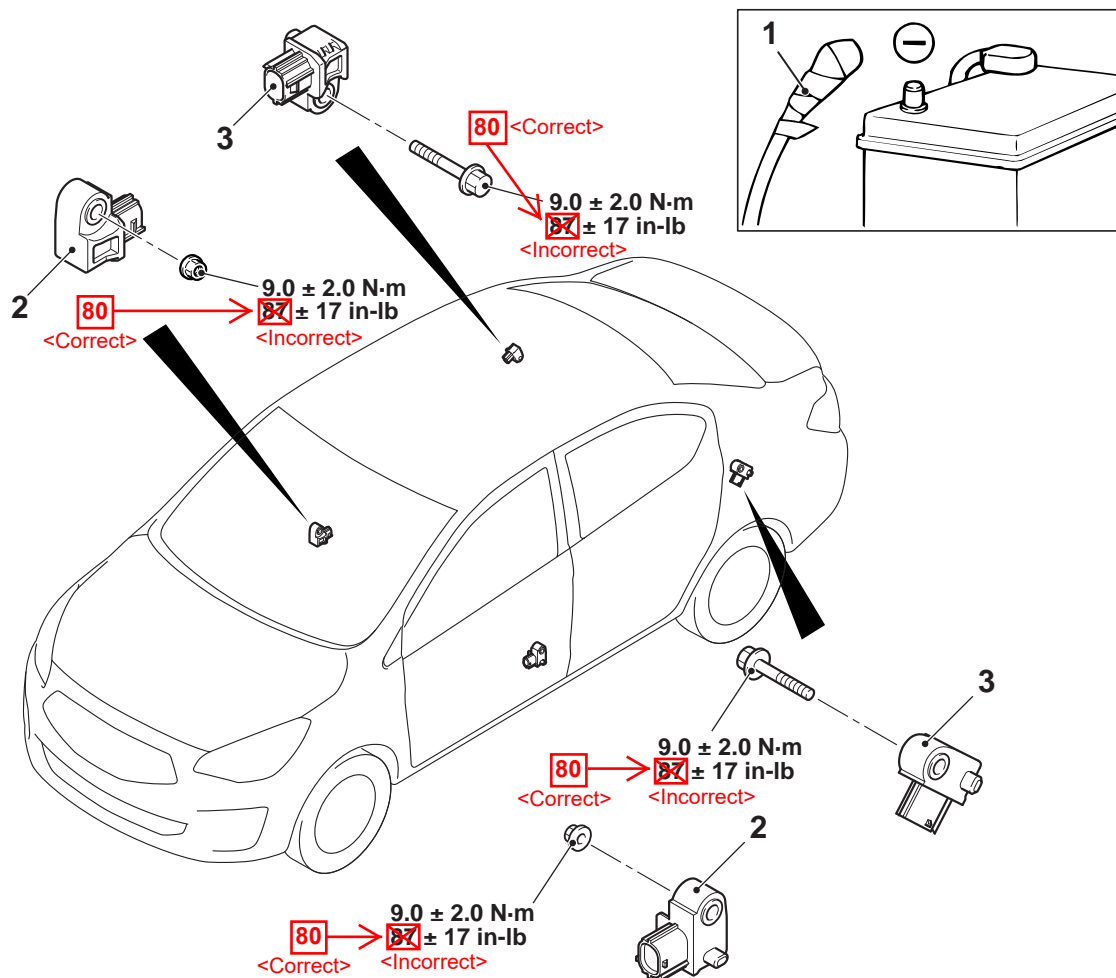
M1524004601644

WARNING

- Never attempt to disassemble or repair the side impact sensor. If faulty, replace it.
- Do not drop or subject the side impact sensor to impact or vibration. Replace the side impact sensor, if dents, cracking, deformation, or rust are present.
- Replace the side impact sensor after the side and curtain air bag has deployed.

Pre-removal operation

- Turn the ignition switch to the LOCK (OFF) position.



ACF07892 AB

**Side impact sensor (front)
removal steps**

<<A>>

1. Negative (-) battery cable
 - Center pillar trim lower (Refer to GROUP 52A – Interior Trim P.52A-10).

<>

2. Side impact sensor (front)

**Side impact sensor (front)
installation steps**

>>A<<

- Pre-installation inspection

>>B<<

2. Side impact sensor (front)
 - Center pillar trim lower (Refer to GROUP 52A – Interior Trim P.52A-10).

>>C<<

1. Negative (-) battery cable
 - Post-installation inspection

SIDE IMPACT SENSOR

REMOVAL AND INSTALLATION

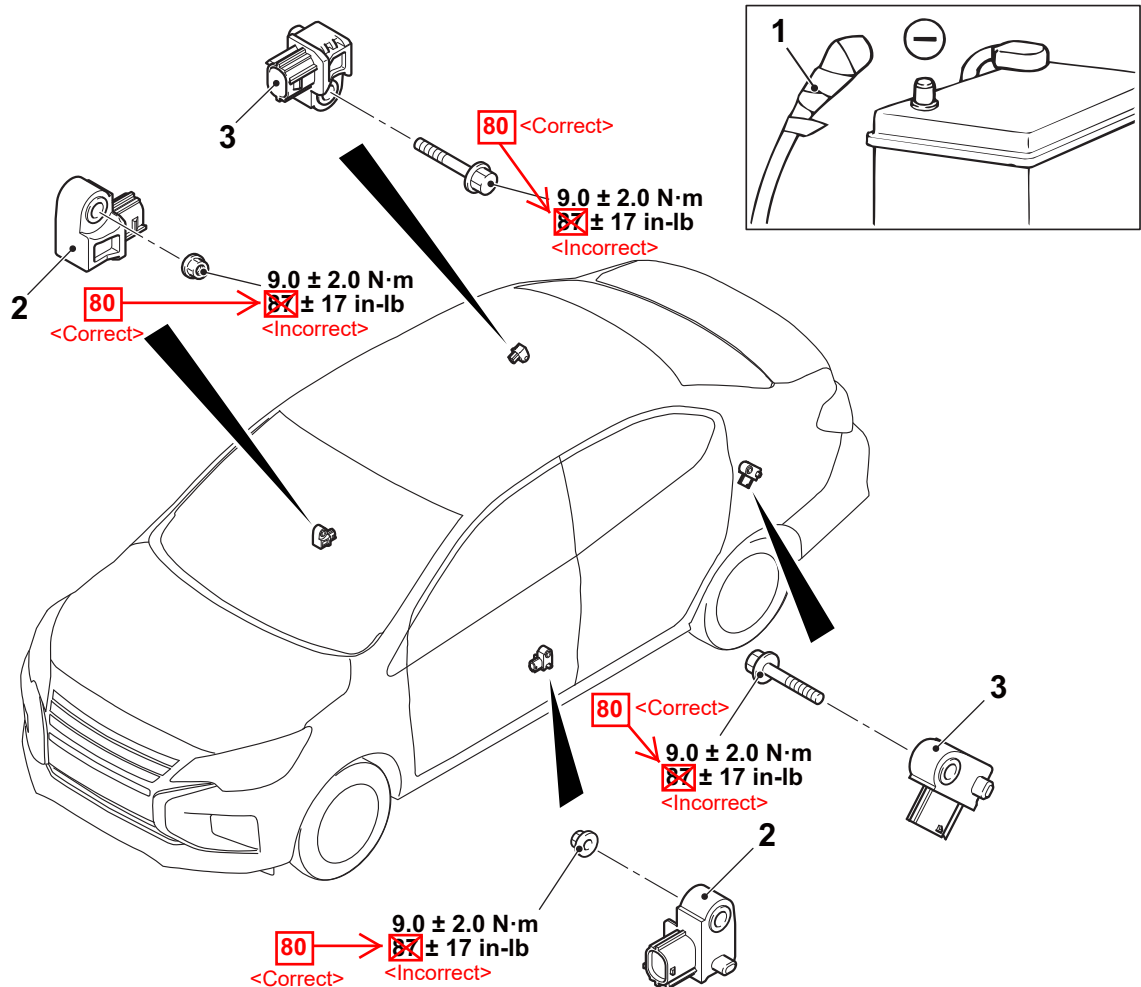
M15240046A0007

⚠ WARNING

- Never attempt to disassemble or repair the side impact sensor. If faulty, replace it.
- Do not drop or subject the side impact sensor to impact or vibration. Replace the side impact sensor, if dents, cracking, deformation, or rust are present.
- Replace the side impact sensor after the side and curtain air bag has deployed.

Pre-removal operation

- Turn the ignition switch to the "LOCK" (OFF) position.



BCF07892AA

Side impact sensor (front) removal steps

- <<A>>
1. Negative (-) battery cable
 - Center pillar trim lower (Refer to GROUP 52A – Interior Trim P.52A-10)

- <>
2. Side impact sensor (front)
- Side impact sensor (front) installation steps**

- >>A<<
- Pre-installation inspection
- >>B<<
2. Side impact sensor (front)

Side impact sensor (front) installation steps

- Center pillar trim lower (Refer to GROUP 52A – Interior Trim P.52A-10)
- >>C<<
1. Negative (-) battery cable
 - Post-installation inspection