



Technical Service Bulletin

SUBJECT:		No: TSB-21-42A-008
UPDATES TO DOOR HANDLE - SERVICE MANUAL REVISION		DATE: October 2021
		MODEL: See Below
CIRCULATE TO:	<input type="checkbox"/> GENERAL MANAGER	<input checked="" type="checkbox"/> PARTS MANAGER
<input checked="" type="checkbox"/> SERVICE ADVISOR	<input checked="" type="checkbox"/> SERVICE MANAGER	<input checked="" type="checkbox"/> WARRANTY PROCESSOR
		<input checked="" type="checkbox"/> TECHNICIAN
		<input type="checkbox"/> SALES MANAGER

PURPOSE

This TSB provides updated content for the Body section of the affected Service Manual, Door, Door Handle and Latch Removal and Installation.

AFFECTED VEHICLES

- 2014, 2015, 2018, 2020 and 2021 Mirage
- 2017, 2018, 2020 and 2021 Mirage G4

AFFECTED SERVICE MANUAL

- 2014, 2015, 2018, 2020, and 2021 Mirage Service Manuals, Group 42A-Body -> Door -> Door Handle and Latch Removal and Installation.
- 2017, 2018, 2020 and 2021 Mirage G4 Service Manuals, Group 42A-Body -> Door -> Door Handle and Latch Removal and Installation.



Please replace the pages in the applicable Mirage Service Manual, Group 42A-Body -> Door section as follows:

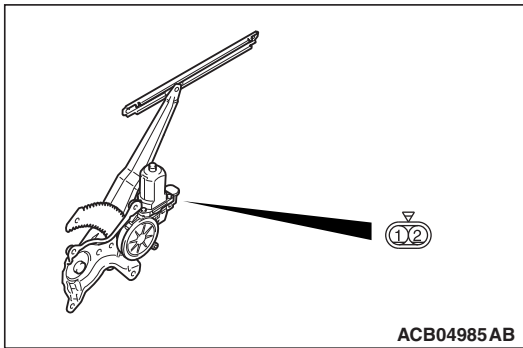
- 2014 Mirage Service Manual, Group 42A-Body -> Door -> Door Handle and Latch Removal and Installation - Attached sheet 4
- 2015 Mirage Service Manual, Group 42A-Body -> Door -> Door Handle and Latch Removal and Installation Attached sheet 7
- 2018 Mirage Service Manual, Group 42A-Body -> Door -> Door Handle and Latch Removal and Installation - Attached sheet 4
- 2020 Mirage Service Manual, Group 42A-Body -> Door -> Door Handle and Latch Removal and Installation - Attached sheet 4
- 2021 Mirage Service Manual, Group 42A-Body -> Door -> Door Handle and Latch Removal and Installation - Attached sheet 7

Please replace the pages in the applicable Mirage G4 Service Manual, Group 42A-Body -> Door section as follows:

- 2017 Mirage G4 Service Manual, Group 42A-Body -> Door -> Door Handle and Latch Removal and Installation - Attached sheet 11
- 2018 Mirage G4 Service Manual, Group 42A-Body -> Door -> Door Handle and Latch Removal and Installation - Attached sheet 11
- 2020 Mirage G4 Service Manual, Group 42A-Body -> Door -> Door Handle and Latch Removal and Installation - Attached sheet 13
- 2021 Mirage G4 Service Manual, Group 42A-Body -> Door -> Door Handle and Latch Removal and Installation - Attached sheet 11

**BODY
DOOR**

<REAR DOOR>



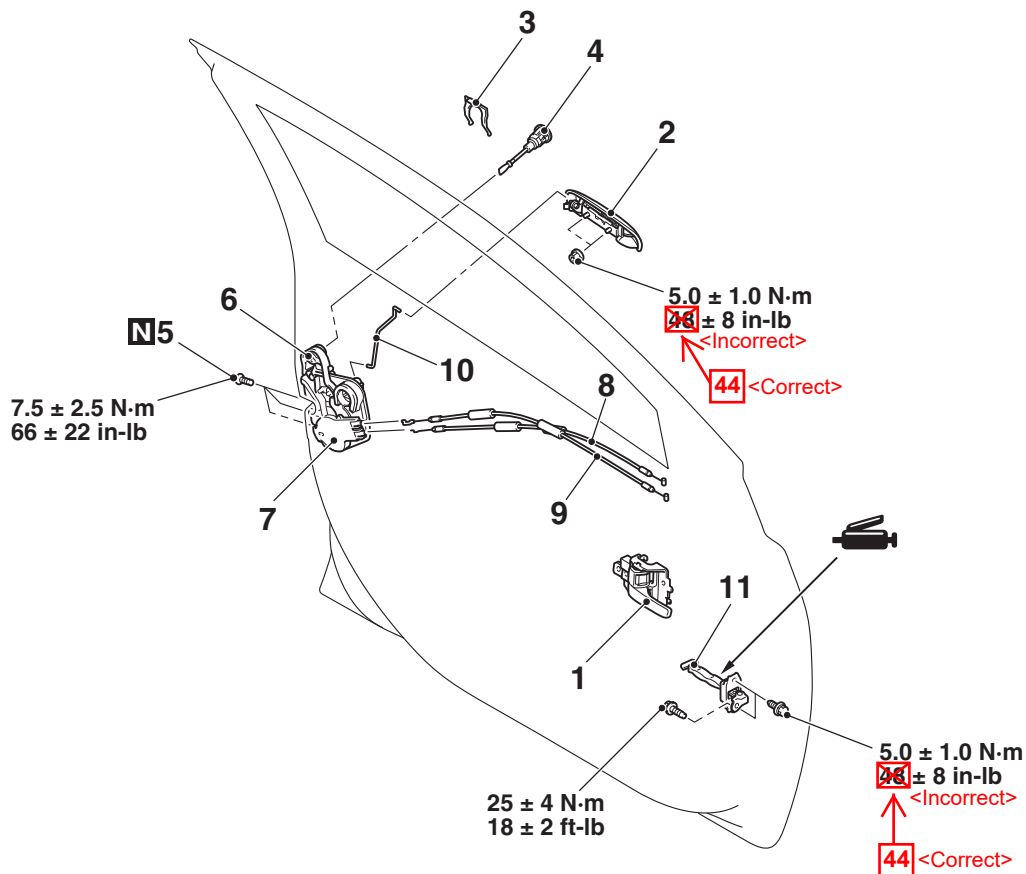
Battery connection	Slider position
<ul style="list-style-type: none"> Connect terminal No. 2 to the negative battery terminal. Connect terminal No. 1 to the positive battery terminal. 	UP
<ul style="list-style-type: none"> Connect terminal No. 1 to the negative battery terminal. Connect terminal No. 2 to the positive battery terminal. 	DOWN

**DOOR HANDLE AND LATCH
REMOVAL AND INSTALLATION**

M1423004601923

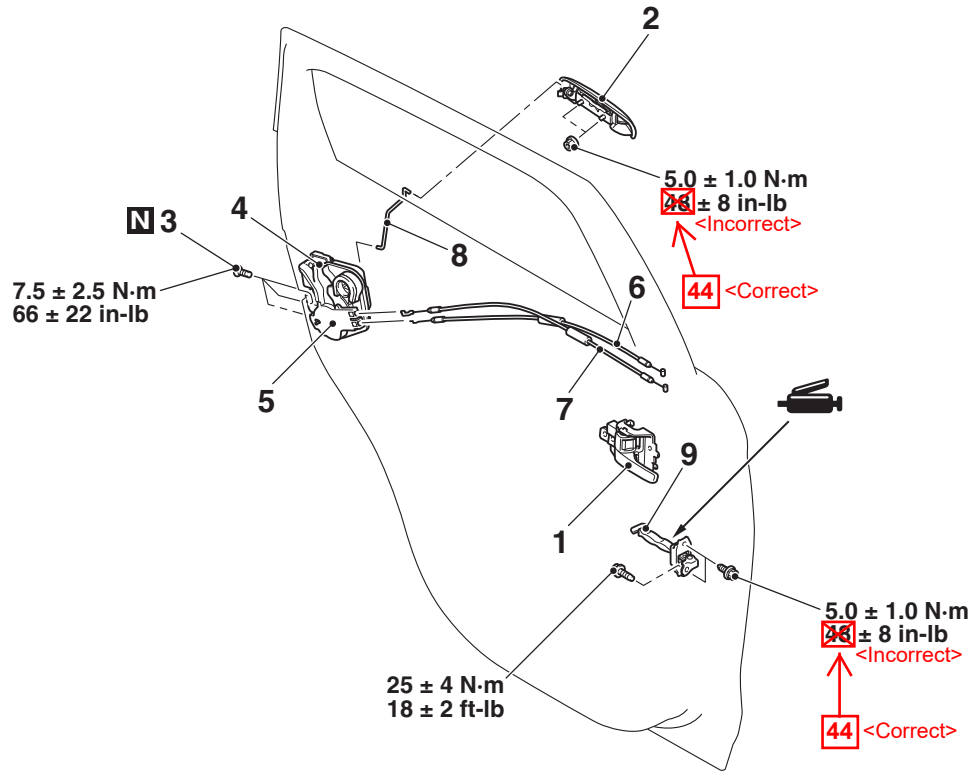
Pre-removal operation	Post-installation operation
<ul style="list-style-type: none"> Door trim assembly removal (Refer to GROUP 52A – Door Trim P.52A-11.) Waterproof film removal (Refer to P.42A-78.) 	<ul style="list-style-type: none"> Door inside handle play check (Refer to P.42A-62.) Door outside handle play check (Refer to P.42A-62.) Waterproof film installation (Refer to P.42A-78.) Door trim assembly installation (Refer to GROUP 52A – Door Trim P.52A-11.)

<Front door>

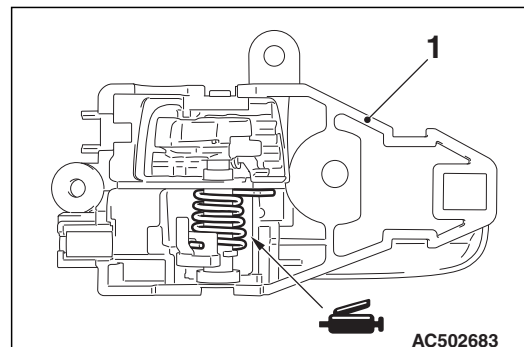
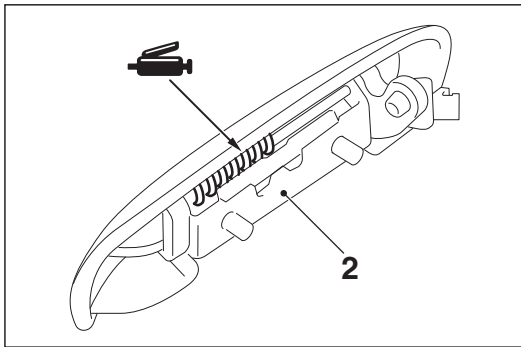


**BODY
DOOR**

<Rear door>



ACC03304 AB



ACB04907 AB

Door inside handle removal

1. Door inside handle (Refer to GROUP 52A – Door Trim P.52A-11.)

Door outside handle removal steps

- Rear lower sash (Refer to P.42A-78.)
2. Door outside handle

Door latch assembly removal steps

<Correct> 3
 <Incorrect> 8

1. Door inside handle Screw

<<A>>
<<A>>

4. Door latch assembly
5. Door lock cover

>>C<<
>>C<<

6. Door inside lock cable
7. Door inside handle cable
8. Door outside handle rod

Door check removal steps

>>A<<

- Rear door speaker (Refer to GROUP 54A, Speaker P.54A-223.)
9. Door check

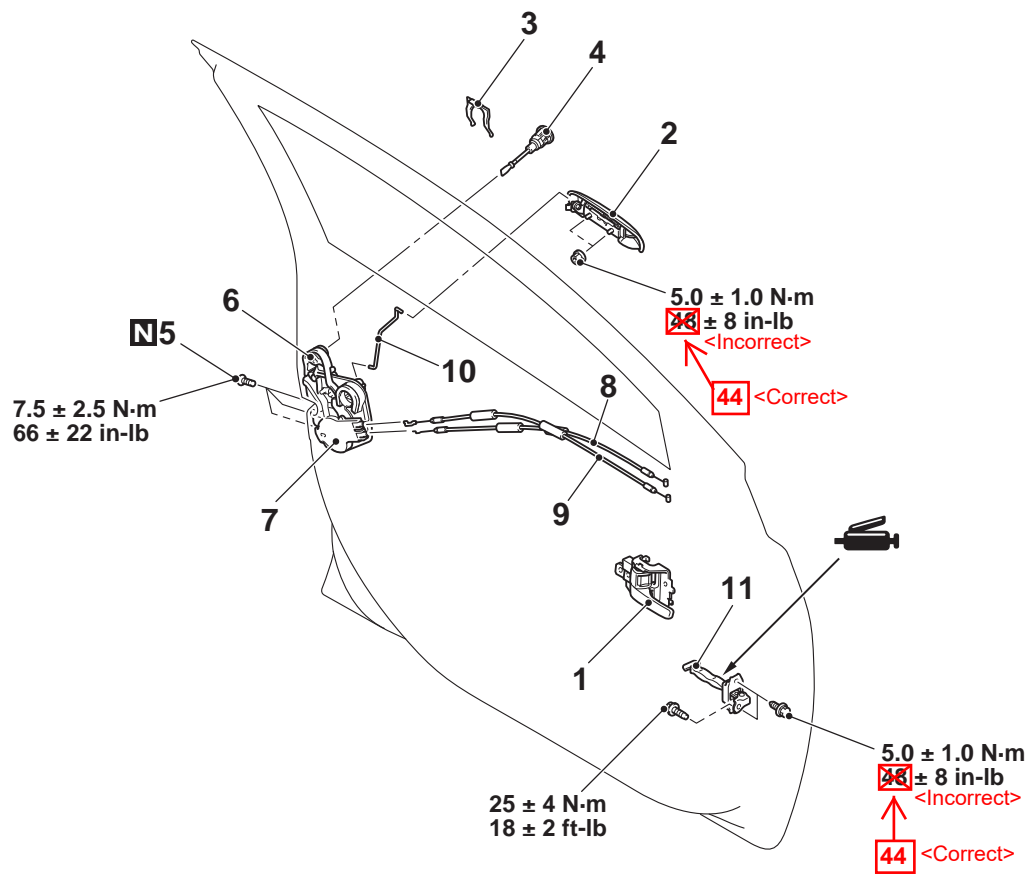
**BODY
DOOR**

**DOOR HANDLE AND LATCH
REMOVAL AND INSTALLATION**

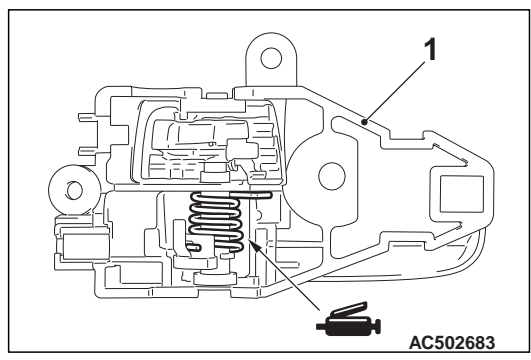
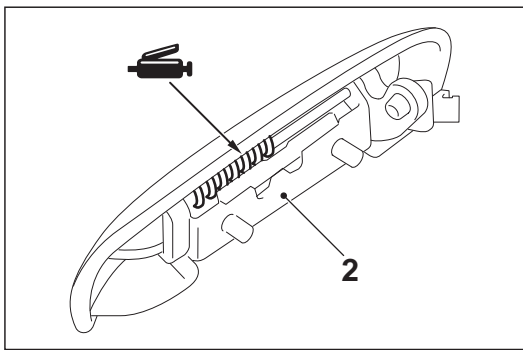
M1423004601923

<p>Pre-removal Operation</p> <ul style="list-style-type: none"> • Door trim Assembly Removal (Refer to GROUP 52A – Door Trim P.52A-11). • Waterproof Film Removal (Refer to P.42A-77). 	<p>Post-installation operation</p> <ul style="list-style-type: none"> • Door Inside Handle Play Check (Refer to P.42A-63). • Door Outside Handle Play Check (Refer to P.42A-62). • Waterproof Film Installation (Refer to P.42A-77). • Door Trim Assembly Installation (Refer to GROUP 52A – Door Trim P.52A-11.)
---	--

<Front door>



ACC03303AB



AC502683

ACB04907AB

- Door inside handle removal**
1. Door inside handle (Refer to GROUP 52A – Door Trim P.52A-11)

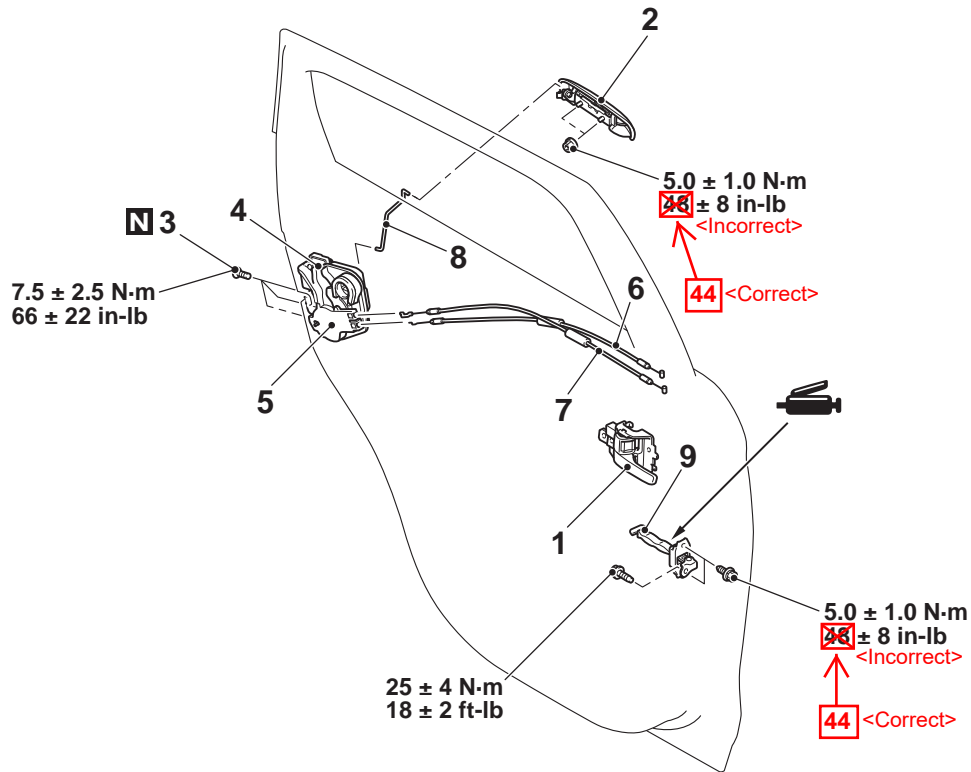
- Door outside handle removal steps**
- Front lower sash (Refer to P.42A-77)
 - 2. Door outside handle

**BODY
DOOR**

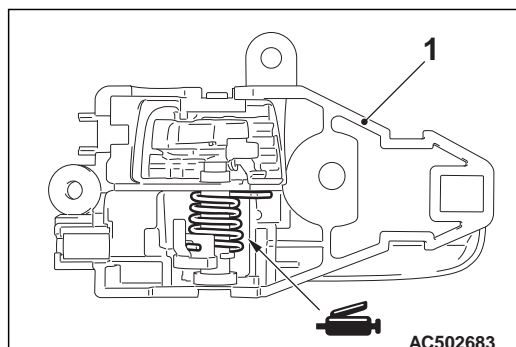
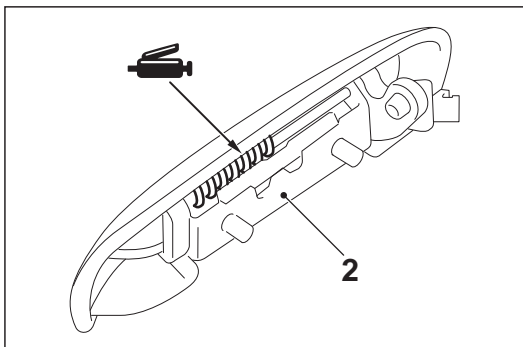
Door latch assembly removal steps

1. Door inside handle (Refer to GROUP 52A – Door Trim [P.52A-11](#))
 3. Retainer
 4. Door lock key cylinder <Driver’s side (vehicles without keyless operation system), Passenger’s side (vehicles with keyless operation system)>
 5. Screw
 - <<A>> 6. Door latch assembly
 - <<A>> 7. Door lock cover
 - >>C<< 8. Door inside lock cable
 - >>C<< 9. Door inside handle cable
 - >>B<< 10. Door outside handle rod
- Door check removal steps**
- Front door speaker (Refer to GROUP 54A – Speaker [P.54A-211](#))
 - >>A<< 11. Door check

<Rear door>



**BODY
DOOR**



AC502683

ACB04907AB

Door inside handle removal

1. Door inside handle (Refer to GROUP 52A – Door Trim P.52A-11)

Door outside handle removal steps

- Rear lower sash (Refer to P.42A-77)
2. Door outside handle

Door latch assembly removal steps

<Correct> 3

<Incorrect> 8

<<A>>

<<A>>

>>C<<

>>C<<

>>A<<

1. Door inside handle
- Screw
4. Door latch assembly
5. Door lock cover
6. Door inside lock cable
7. Door inside handle cable
8. Door outside handle rod

Door check removal steps

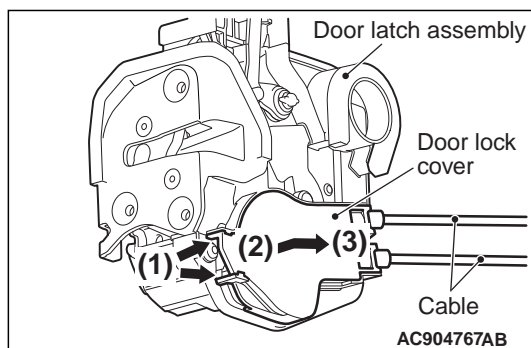
- Rear door speaker (Refer to GROUP 54A, Speaker P.54A-211)
9. Door check

REMOVAL SERVICE POINT

<<A>> DOOR LATCH ASSEMBLY/DOOR LOCK COVER REMOVAL

Remove the door lock cover in the following procedures:

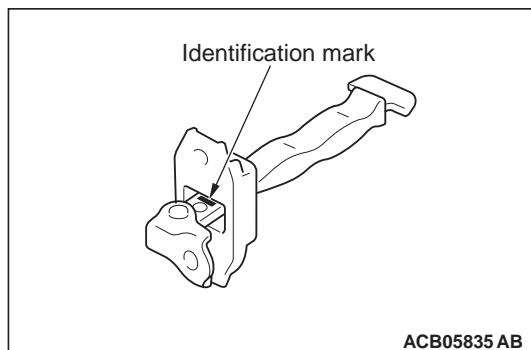
1. Release the upper and lower claws of the door lock cover by using a flat-tipped screwdriver.
2. Pull the cover out a little.
3. With the cover pulled out state, slide it toward cabled side and remove it from the door latch assembly.



INSTALLATION SERVICE POINTS

>>A<< DOOR CHECK INSTALLATION

Install the door check with the following identification mark facing upward.



Application		Identification mark
Front door	Left door	FL
	Right door	FR
Rear door	Left door	RL
	Right door	RR

BODY
DOORDOOR HANDLE AND LATCH
REMOVAL AND INSTALLATION

M1423004602119

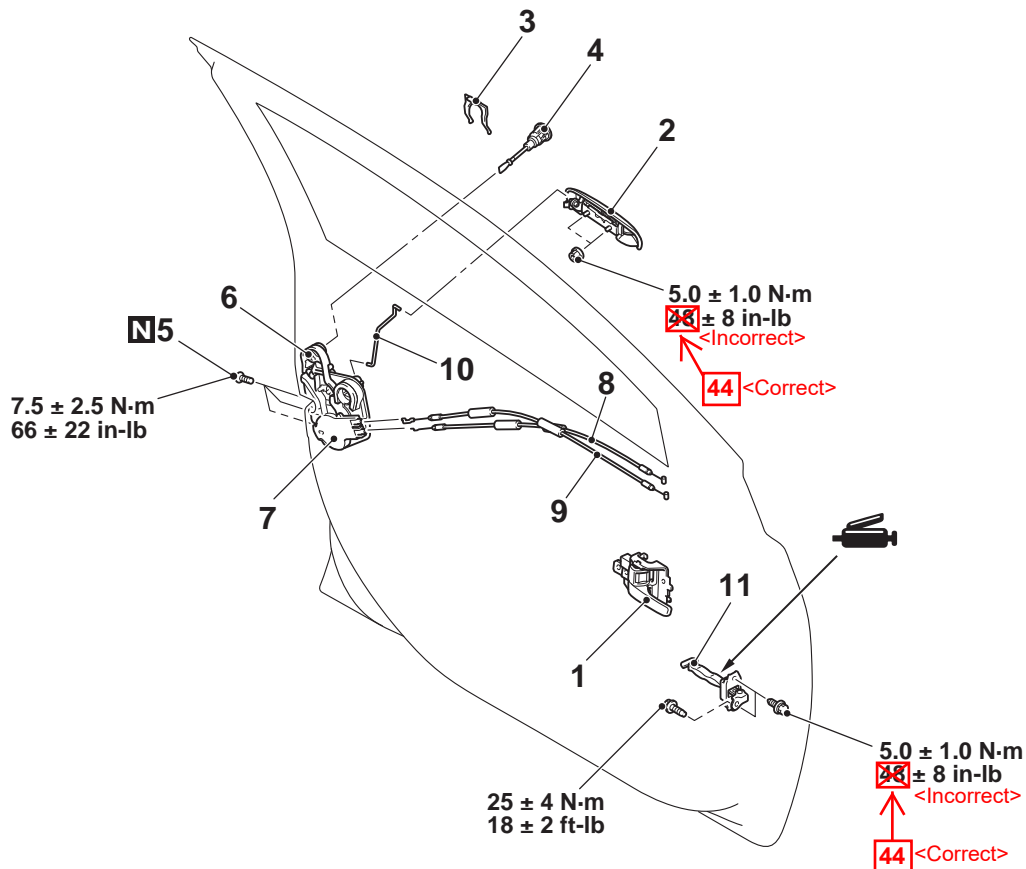
Pre-removal Operation

- Door trim Assembly Removal (Refer to GROUP 52A, Door Trim P.52A-12).
- Waterproof Film Removal (Refer to P.42A-104).

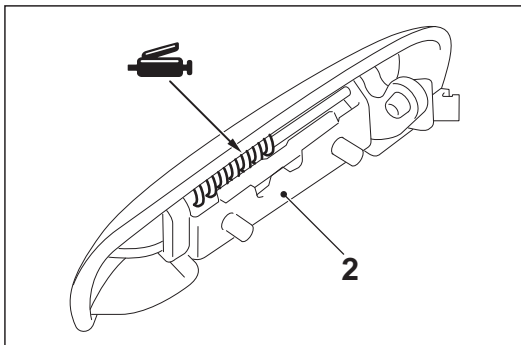
Post-installation operation

- Door Inside Handle Play Check (Refer to P.42A-88).
- Door Outside Handle Play Check (Refer to P.42A-88).
- Waterproof Film Installation (Refer to P.42A-104).
- Door Trim Assembly Installation (Refer to GROUP 52A, Door Trim P.52A-12.)

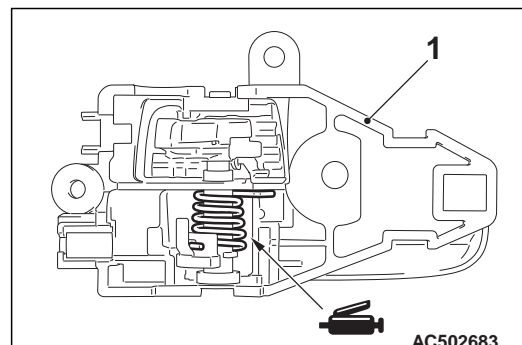
<Front door>



ACC03303AB

**Door inside handle removal**

1. Door inside handle (Refer to GROUP 52A, Door Trim P.52A-12)



AC502683

ACB04907AB

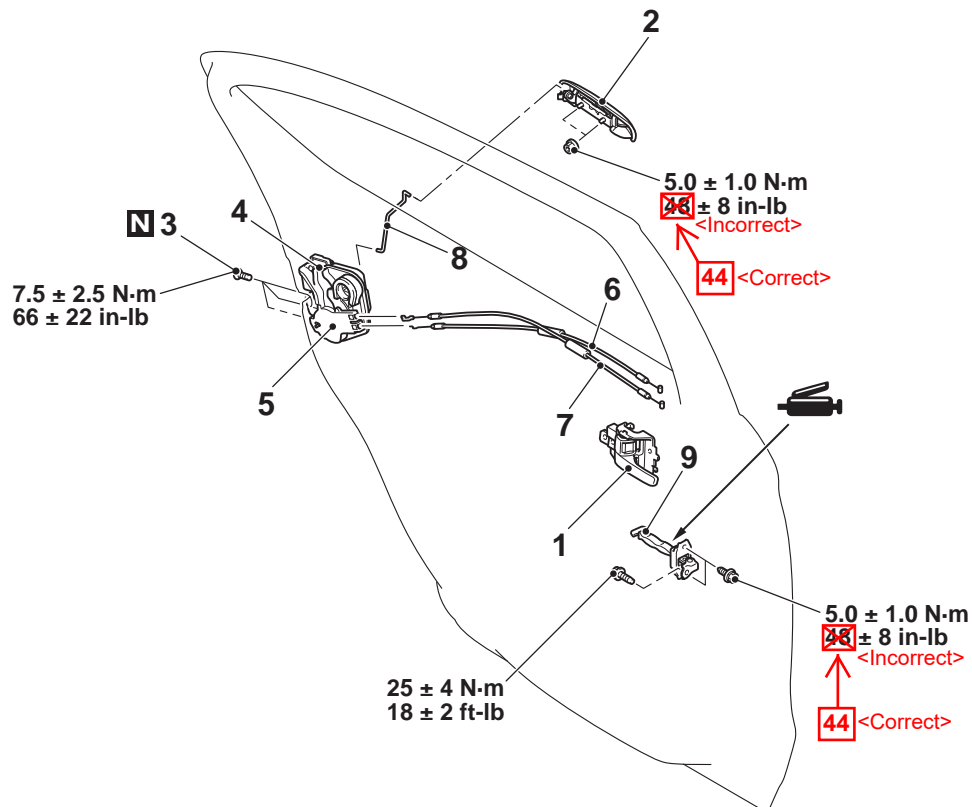
Door outside handle removal steps

- Front lower sash (Refer to P.42A-104)
2. Door outside handle

**BODY
DOOR****Door latch assembly removal
steps**

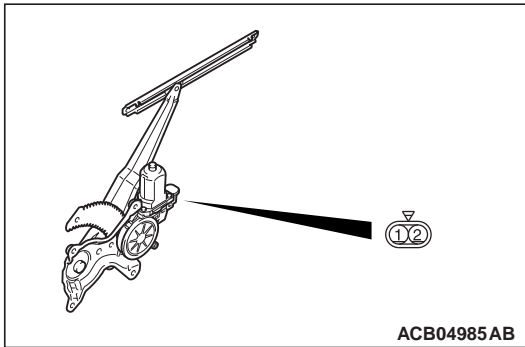
1. Door inside handle
(Refer to GROUP 52A, Door Trim
[P.52A-12](#))
 3. Retainer
 4. Door lock key cylinder <Driver's
side (vehicles without keyless
operation system), Passenger's
side (vehicles with keyless
operation system)>
 5. Screw
 - <<A>> 6. Door latch assembly
 - <<A>> 7. Door lock cover
 - >>C<< 8. Door inside lock cable
 - >>C<< 9. Door inside handle cable
 - >>B<< 10. Door outside handle rod
- Door check removal steps**
- Front door speaker (Refer to
GROUP 54A, Speaker [P.54A-233](#))
 - >>A<< 11. Door check

<Rear door>



**BODY
DOOR**

<REAR DOOR>



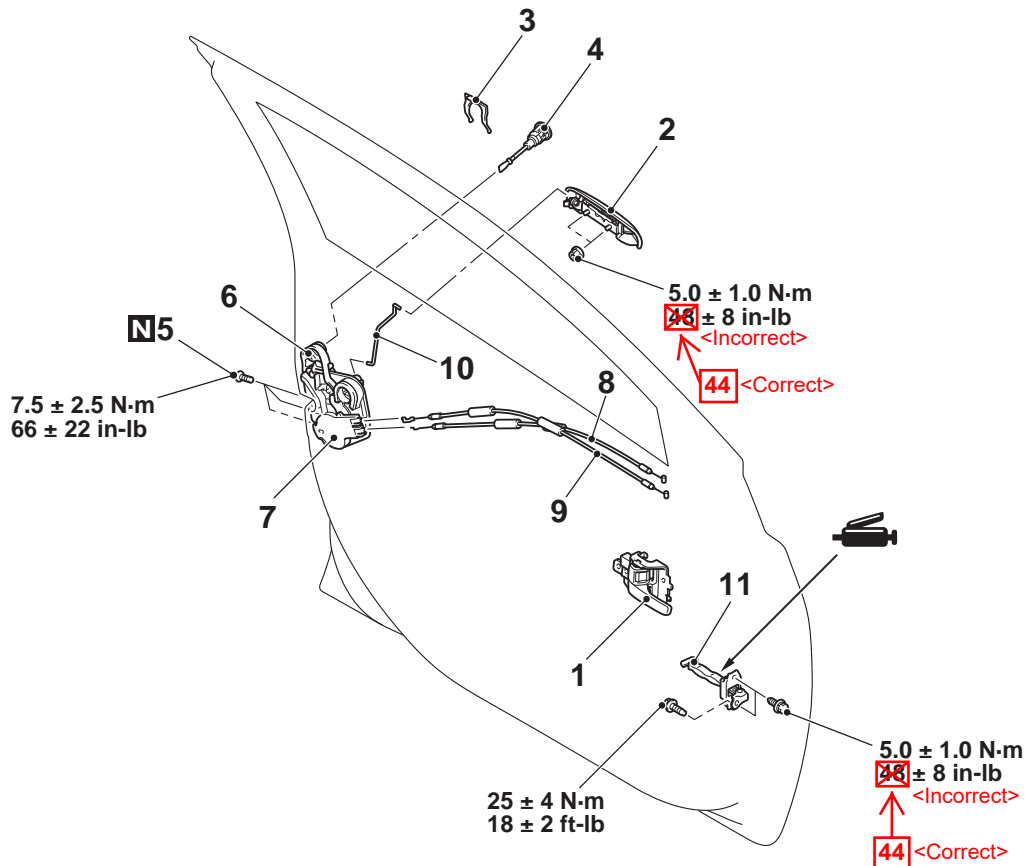
Battery connection	Slider position
<ul style="list-style-type: none"> Connect terminal No. 2 to the negative battery terminal. Connect terminal No. 1 to the positive battery terminal. 	UP
<ul style="list-style-type: none"> Connect terminal No. 1 to the negative battery terminal. Connect terminal No. 2 to the positive battery terminal. 	DOWN

**DOOR HANDLE AND LATCH
REMOVAL AND INSTALLATION**

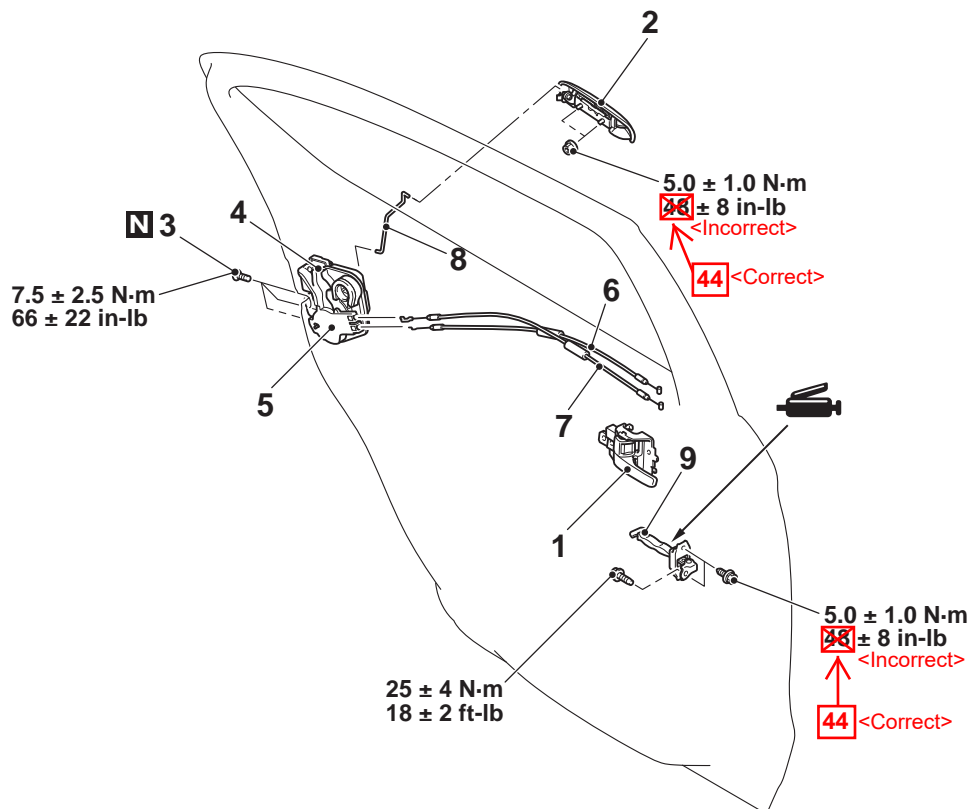
M1423004602119

Pre-removal Operation	Post-installation operation
<ul style="list-style-type: none"> Door trim Assembly Removal (Refer to GROUP 52A, Door Trim P.52A-12). Waterproof Film Removal (Refer to P.42A-93). 	<ul style="list-style-type: none"> Door Inside Handle Play Check (Refer to P.42A-78). Door Outside Handle Play Check (Refer to P.42A-77). Waterproof Film Installation (Refer to P.42A-93). Door Trim Assembly Installation (Refer to GROUP 52A, Door Trim P.52A-12.)

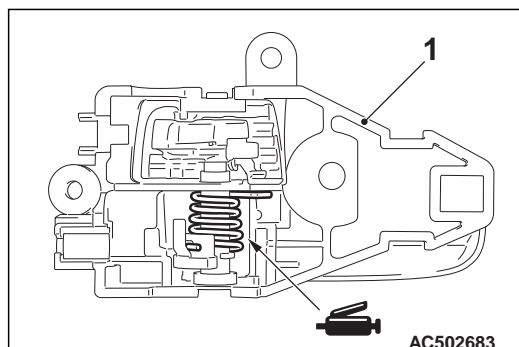
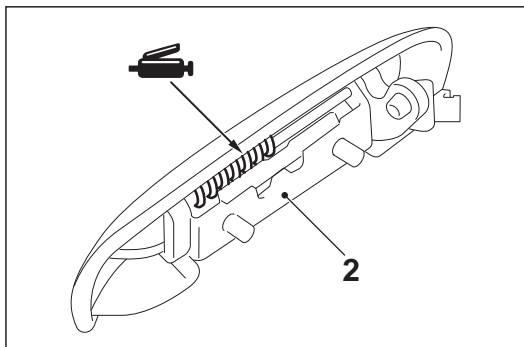
<Front door>



<Rear door>



ACF07758 AB



AC502683

ACB04907 AB

Door inside handle removal

1. Door inside handle (Refer to GROUP 52A, Door Trim [P.52A-12](#)) <<A>>

Door outside handle removal steps

- Rear lower sash (Refer to [P.42A-93](#)) <<A>>
2. Door outside handle >>C<<

Door latch assembly removal steps

1. Door inside handle >>C<<
3. Screw >>A<<

Door latch assembly removal steps (Continued)

4. Door latch assembly
 5. Door lock cover
 6. Door inside lock cable
 7. Door inside handle cable
 8. Door outside handle rod
- Door check removal steps**
- Rear door speaker (Refer to GROUP 54A, Speaker [P.54A-252](#))
9. Door check