



Technical Service Bulletin

SUBJECT:		No: TSB-21-42A-007	
UPDATES TO DOOR - SERVICE MANUAL REVISION		DATE: October 2021	
		MODEL: See Below	
CIRCULATE TO:	<input type="checkbox"/> GENERAL MANAGER	<input checked="" type="checkbox"/> PARTS MANAGER	<input checked="" type="checkbox"/> TECHNICIAN
<input checked="" type="checkbox"/> SERVICE ADVISOR	<input checked="" type="checkbox"/> SERVICE MANAGER	<input checked="" type="checkbox"/> WARRANTY PROCESSOR	<input type="checkbox"/> SALES MANAGER

PURPOSE

This TSB provides updated content for the Body section of the affected Service Manual, Door.

AFFECTED VEHICLES

- 2014 Mirage
- 2018 Mirage
- 2020 Mirage

AFFECTED SERVICE MANUAL

- 2014, 2018, and 2020 Mirage Service Manuals, Group 42A-Body -> Door

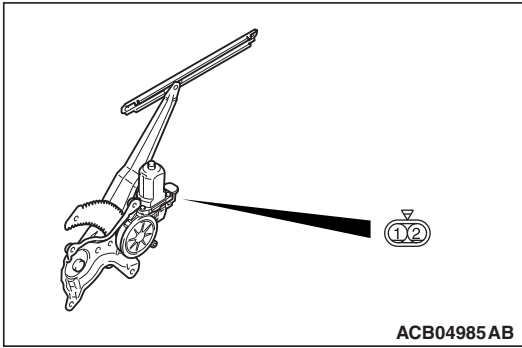


Please replace the pages in the 2014 Mirage Service Manual, Group 42A-Body -> Door -> Door Handle and Latch section as follows:

- 2014 Mirage Service Manual, Group 42A-Body -> Door - Attached sheet 4
- 2018 Mirage Service Manual, Group 42A-Body -> Door - Attached sheet 4
- 2020 Mirage Service Manual, Group 42A-Body -> Door - Attached sheet 4

**BODY
DOOR**

<REAR DOOR>



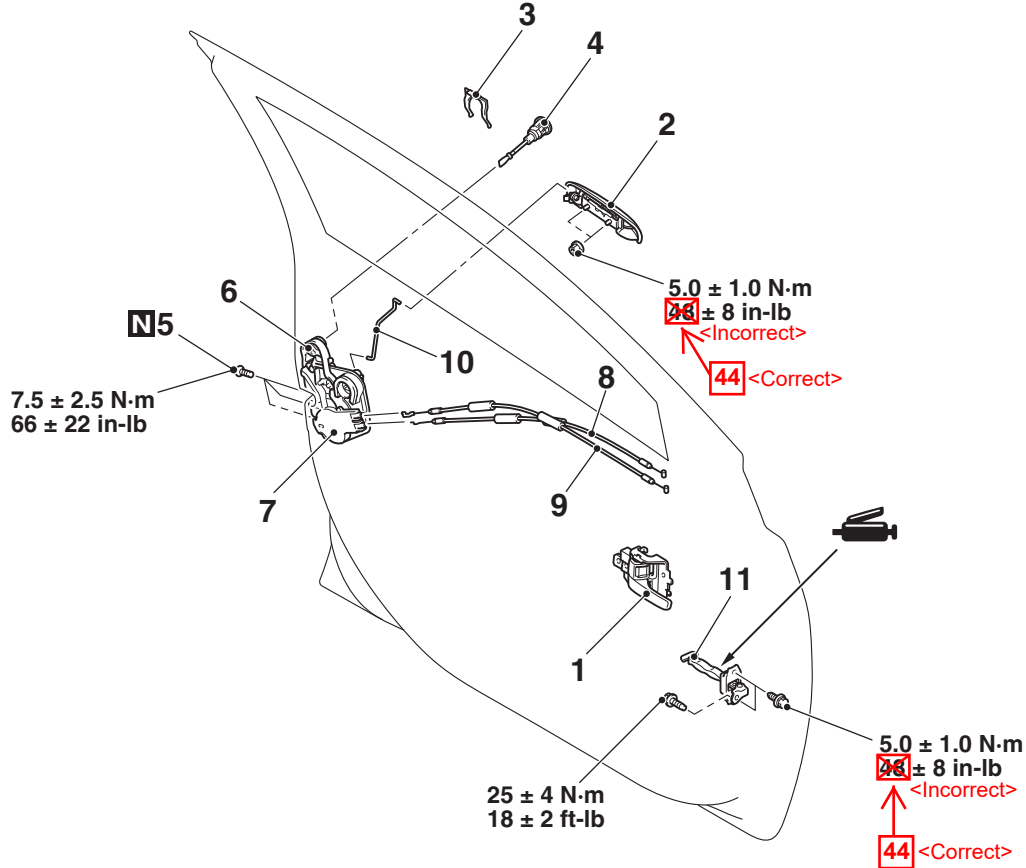
Battery connection	Slider position
<ul style="list-style-type: none"> • Connect terminal No. 2 to the negative battery terminal. • Connect terminal No. 1 to the positive battery terminal. 	UP
<ul style="list-style-type: none"> • Connect terminal No. 1 to the negative battery terminal. • Connect terminal No. 2 to the positive battery terminal. 	DOWN

**DOOR HANDLE AND LATCH
REMOVAL AND INSTALLATION**

M1423004601923

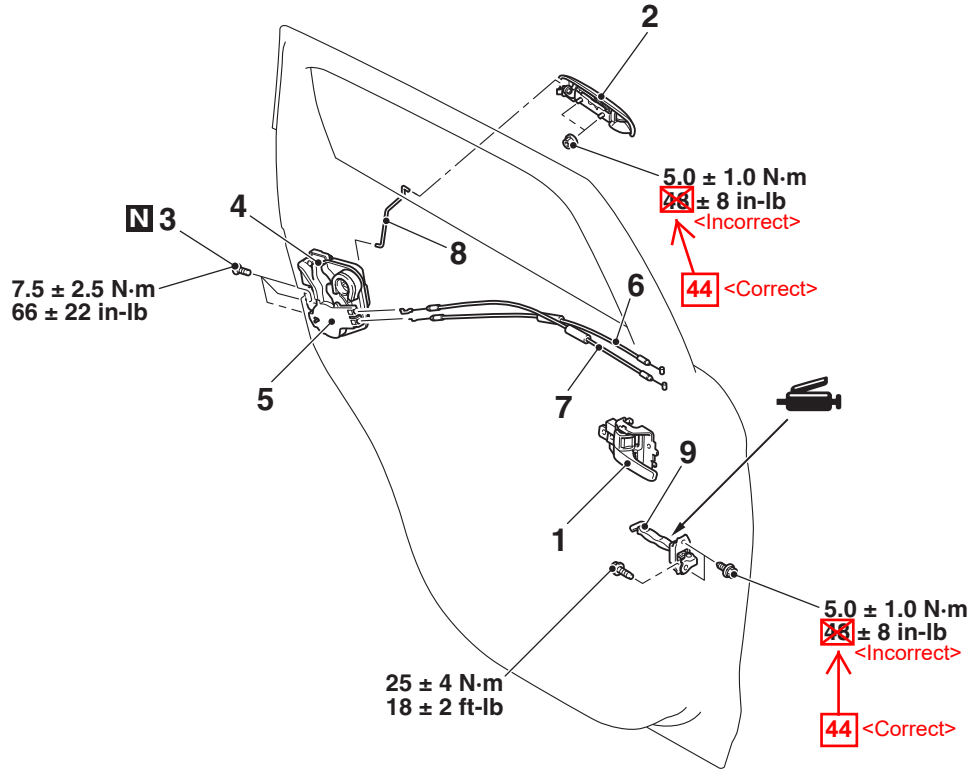
Pre-removal operation	Post-installation operation
<ul style="list-style-type: none"> • Door trim assembly removal (Refer to GROUP 52A – Door Trim P.52A-11.) • Waterproof film removal (Refer to P.42A-78.) 	<ul style="list-style-type: none"> • Door inside handle play check (Refer to P.42A-62.) • Door outside handle play check (Refer to P.42A-62.) • Waterproof film installation (Refer to P.42A-78.) • Door trim assembly installation (Refer to GROUP 52A – Door Trim P.52A-11.)

<Front door>

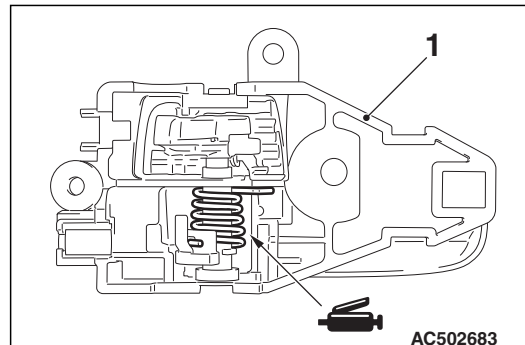
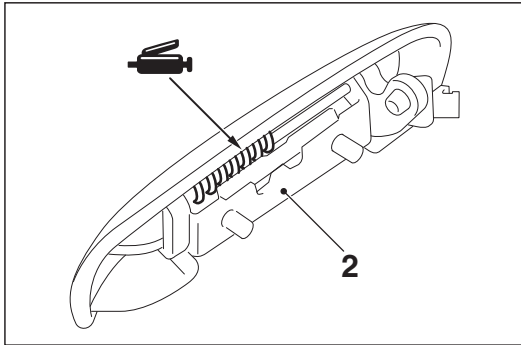


**BODY
DOOR**

<Rear door>



ACC03304 AB



ACB04907 AB

Door inside handle removal

1. Door inside handle (Refer to GROUP 52A – Door Trim P.52A-11.)

Door outside handle removal steps

- Rear lower sash (Refer to P.42A-78.)
2. Door outside handle

<Correct> 3

<Incorrect> 8

<<A>>

<<A>>

>>C<<

>>C<<

>>A<<

Door latch assembly removal steps

1. Door inside handle Screw
4. Door latch assembly
5. Door lock cover
6. Door inside lock cable
7. Door inside handle cable
8. Door outside handle rod

Door check removal steps

- Rear door speaker (Refer to GROUP 54A, Speaker P.54A-223.)
- 9. Door check