



Technical Service Bulletin

SUBJECT:		No: TSB-21-33-001	
UPDATES TO FRONT SUSPENSION - SERVICE MANUAL REVISION		DATE: October 2021	
		MODEL: See Below	
CIRCULATE TO:	<input type="checkbox"/> GENERAL MANAGER	<input checked="" type="checkbox"/> PARTS MANAGER	<input checked="" type="checkbox"/> TECHNICIAN
<input checked="" type="checkbox"/> SERVICE ADVISOR	<input checked="" type="checkbox"/> SERVICE MANAGER	<input checked="" type="checkbox"/> WARRANTY PROCESSOR	<input type="checkbox"/> SALES MANAGER

PURPOSE

This TSB provides updated content for the Front Suspension section of the affected Service Manual.

AFFECTED VEHICLES

- 2020 Eclipse Cross

AFFECTED SERVICE MANUALS

- 2020 Eclipse Cross Service Manuals, Group 33-Front Suspension



Please replace the pages in the 2020 Eclipse Cross Service Manual, Group 33-Front Suspension section as follows:

- 2020 Eclipse Cross Service Manual, Group 33 - Front Suspension -> Lower Arm Removal and Installation- Attached sheet 7

33-16

FRONT SUSPENSION LOWER ARM

LOWER ARM

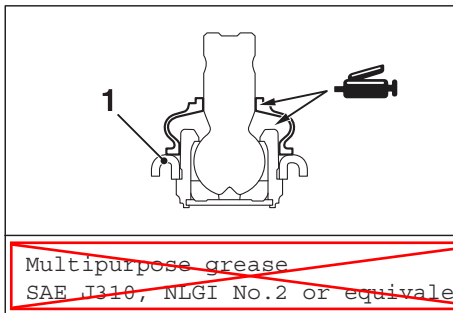
REMOVAL AND INSTALLATION

M1332001602296

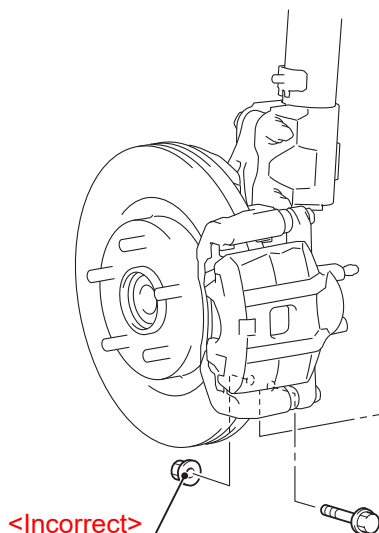
CAUTION

- The parts indicated by *1 indicates parts which should be temporarily tightened, and then fully tightened with the vehicle standing on the ground at curb weight.
- The parts indicated by *2 are the bolts/nuts with friction coefficient stabilizer. Prior to reinstallation, ensure there is no damage, clean dust and soiling from the bearing and thread surfaces, and tighten them to the specified torque.

<p>Pre-removal Operation Engine Room Side Cover Removal (Refer to GROUP 51 – Under Cover P.51-26).</p>	<p>Post-installation Operation</p> <ul style="list-style-type: none"> • Using Your Fingers, Press the Dust Cover to Check for a Crack or Damage. • Engine Room Side Cover Installation (Refer to GROUP 51 – Under Cover P.51-26). • Wheel Alignment Check and Adjustment (Refer to P.33-7). • Check the Beam Direction of the Headlight (Refer to 54A – Headlight Aiming P.54A-134).
---	---

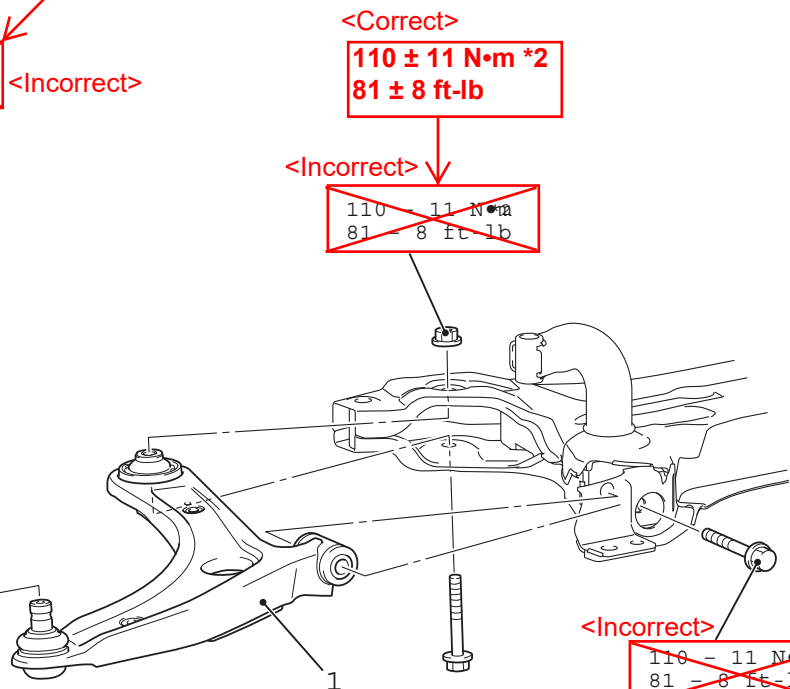


<Correct>
Multipurpose grease
SAE J310, NLGI No.2 or equivalent



<Incorrect>
~~71 ± 10 N·m
52 ± 7 ft-lb~~

<Correct>
71 ± 10 N·m
52 ± 7 ft-lb



<Incorrect>
~~110 ± 11 N·m
81 ± 8 ft-lb~~

<Correct>
110 ± 11 N·m *2
81 ± 8 ft-lb

<Incorrect>
~~110 ± 11 N·m, 2
81 ± 8 ft-lb~~

<Correct>
110 ± 11 N·m *1,2
81 ± 8 ft-lb

ACH05320 AB