



# Technical Service Bulletin

SUBJECT:			No: <b>TSB-21-13-003</b>
<b>UPDATES TO FUEL TANK REMOVAL AND INSTALLATION - SERVICE MANUAL REVISION</b>			DATE: <b>October 2021</b>
			MODEL: <b>See Below</b>
<b>CIRCULATE TO:</b>	<input type="checkbox"/> GENERAL MANAGER	<input checked="" type="checkbox"/> PARTS MANAGER	<input checked="" type="checkbox"/> TECHNICIAN
<input checked="" type="checkbox"/> SERVICE ADVISOR	<input checked="" type="checkbox"/> SERVICE MANAGER	<input checked="" type="checkbox"/> WARRANTY PROCESSOR	<input type="checkbox"/> SALES MANAGER

## PURPOSE

This TSB provides updated content for the Fuel Supply section of the affected Service Manuals.

## AFFECTED VEHICLES

- 2018 Eclipse Cross
- 2019 Eclipse Cross
- 2020 Eclipse Cross
- 2022 Eclipse Cross

## AFFECTED SERVICE MANUALS

- 2018, 2019, 2020 and 2022 Eclipse Cross Service Manuals, Group 13-Fuel



Please replace the pages in the 2018 Eclipse Cross Service Manual, Group 13-Fuel section as follows:

- 2018 Eclipse Cross Service Manual, Group 13 - Fuel -> Fuel Supply -> Fuel Tank Removal and Installation - Attached sheet 2

Please replace the pages in the 2019 Eclipse Cross Service Manual, Group 13-Fuel section as follows:

- 2019 Eclipse Cross Service Manual, Group 13 - Fuel -> Fuel Supply -> Fuel Tank Removal and Installation - Attached sheet 2

Please replace the pages in the 2020 Eclipse Cross Service Manual, Group 13-Fuel section as follows:

- 2020 Eclipse Cross Service Manual, Group 13 - Fuel -> Fuel Supply -> Fuel Tank Removal and Installation - Attached sheet 2

Please replace the pages in the 2022 Eclipse Cross Service Manual, Group 13-Fuel section as follows:

- 2022 Eclipse Cross Service Manual, Group 13 - Fuel -> Fuel Supply -> Fuel Tank Removal and Installation - Attached sheet 10

FUEL SUPPLY  
FUEL TANK

13B-13

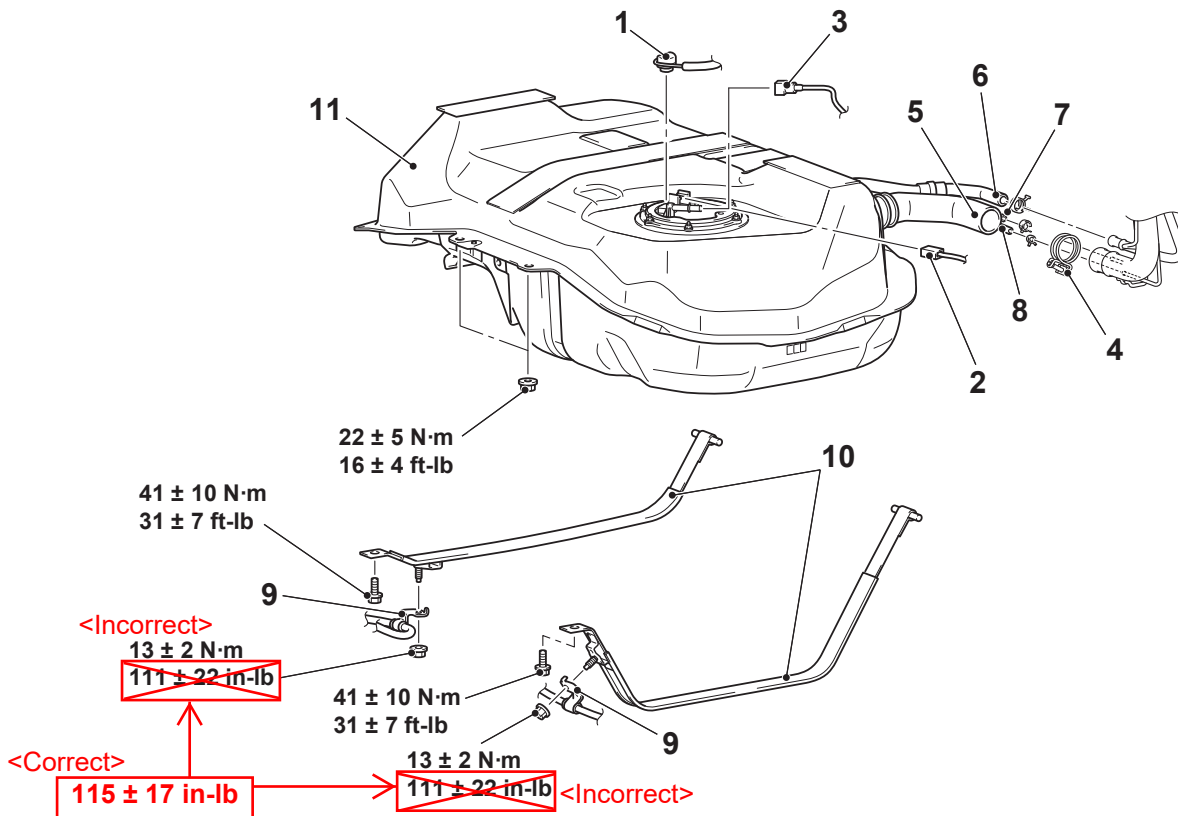
FUEL TANK

REMOVAL AND INSTALLATION <FWD>

M1135001904890

<p><b>Pre-removal Operation</b></p> <ul style="list-style-type: none"> <li>Fuel Line Pressure Reduction (Refer to GROUP 13A, On-vehicle Service – Reduce Pressurized Fuel Lines P.13A-766).</li> <li>Fuel Draining.</li> <li>Exhaust Center Pipe Removal (Refer to GROUP 15, Exhaust pipe, Main Muffler and Catalytic Converter P.15-16).</li> <li>Rear Floor Under Cover Removal (Refer to GROUP 51, Under Cover P.51-20).</li> </ul>	<p><b>Post-installation Operation</b></p> <ul style="list-style-type: none"> <li>Rear Floor Under Cover Installation (Refer to GROUP 51, Under Cover P.51-20).</li> <li>Exhaust Center Pipe Installation (Refer to GROUP 15, Exhaust pipe, Main Muffler and Catalytic Converter P.15-16).</li> <li>Fuel Refilling.</li> <li>Fuel Leak Check.</li> </ul>
--	---

<FUEL TANK>



ACD00817AB

Fuel tank removal steps

- Rear seat assembly (Refer to GROUP 52A, Rear Seat Assembly P.52A-68).
- <<A>> 1. Fuel pump module connector  
<<A>> 2. Fuel tank differential pressure sensor connector  
<<A>> >>B<< 3. Fuel main pipe connection  
>>A<< 4. Hose clamp  
5. Fuel filler hose connection

Fuel tank removal steps (Continued)

- <<B>> 6. Fuel leveling hose connection  
<<B>> 7. Fuel tank vapor hose A connection  
8. Fuel tank vapor hose B connection  
9. Parking brake rear cable clamp connection  
10. Fuel tank band  
11. Fuel tank assembly

# 13B-14

## FUEL SUPPLY FUEL TANK

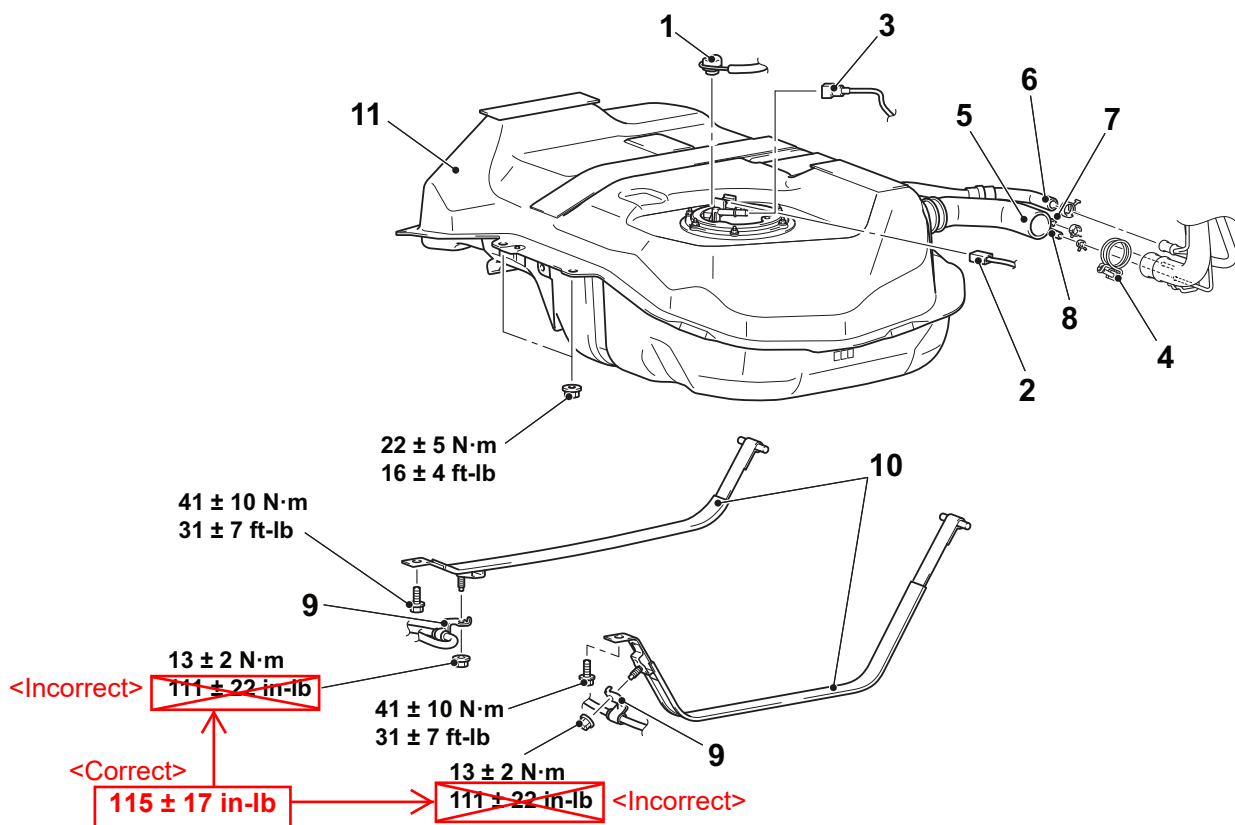
# FUEL TANK

### REMOVAL AND INSTALLATION <FWD>

M1135001904890

<p><b>Pre-removal Operation</b></p> <ul style="list-style-type: none"> <li>• Fuel Line Pressure Reduction (Refer to GROUP 13A, On-vehicle Service - Reduce Pressurized Fuel Lines P.13A-773).</li> <li>• Fuel Draining.</li> <li>• Exhaust Center Pipe Removal (Refer to GROUP 15, Exhaust pipe, Main Muffler and Catalytic Converter P.15-17).</li> <li>• Rear Floor Under Cover Removal (Refer to GROUP 51, Under Cover P.51-42).</li> </ul>	<p><b>Post-installation Operation</b></p> <ul style="list-style-type: none"> <li>• Rear Floor Under Cover Installation (Refer to GROUP 51, Under Cover P.51-42).</li> <li>• Exhaust Center Pipe Installation (Refer to GROUP 15, Exhaust pipe, Main Muffler and Catalytic Converter P.15-17).</li> <li>• Fuel Refilling.</li> <li>• Fuel Leak Check.</li> </ul>
--	---

### <FUEL TANK>



ACD00817AB

- |       |   |       |  |
|-------|---|-------|--|
|       | <b>Fuel tank removal steps</b>  |       | <b>Fuel tank removal steps</b>               |
|       | • Rear seat assembly (Refer to GROUP 52A, Rear Seat Assembly P.52A-97). |       | 6. Fuel leveling hose connection             |
| <<A>> | 1. Fuel pump module connector   |       | 7. Fuel tank vapor hose A connection         |
| <<A>> | 2. Fuel tank differential pressure sensor connector                     |       | 8. Fuel tank vapor hose B connection         |
| <<A>> | 3. Fuel main pipe connection  | <<B>> | 9. Parking brake rear cable clamp connection |
|       | 4. Hose clamp   | <<B>> | 10. Fuel tank band                           |
|       | 5. Fuel filler hose connection  |       | 11. Fuel tank assembly                       |