

SportDesign Package / Aerokit

Vehicle Type: **992**

Model Year: **As of 2019**

Information: **Retrofitting**



Figure 1

Scope 1 – SportDesign front apron

Scope 2 – SportDesign package consisting of front apron and rear apron

Scope 3 – Aerokit consisting of a fixed rear wing. **Important** Aerokit is only tested and approved in conjunction with Scope 2, SportDesign package for front apron and rear apron.

NOTICE

Aerokit

- **Aerokit is only approved and tested in conjunction with SportDesign package Scope 2!**

⇒

Parts Info: **Important:** Only the order sets are listed; current exploded drawings or a detailed list of the parts are visible in the PET (Porsche Electronic Parts Catalogue).

Package Order No.		Scope 1: SportDesign package, front apron
992.044.830	1 x	Front apron with ParkAssist 7X2
992.044.831	1 x	Front apron with ParkAssist 7X5

Package Order No. 992.044.846	1 x	Scope 2: SportDesign package, front apron and rear apron Complete SportDesign package for 992 C2/C4 USA with ParkAssist, with camera for Coupé without sports exhaust system, and with sports tailpipe
992.044.846.A	1 x	Complete SportDesign package for 992 C2/C4 USA with ParkAssist, with camera for Cabrio without sports exhaust system, and with sports tailpipe
992.044.846.B	1 x	Complete SportDesign package for 992 C2/C4 USA with ParkAssist, with camera for Coupé with sports exhaust system
992.044.846.C	1 x	Complete SportDesign package for 992 C2/C4 USA with ParkAssist, with camera for Cabrio with sports exhaust system
Package Order No. 992.044.835	1 x	For Scope 2: Spoiler lip on SportDesign package Spoiler lip SDP for 992, bottom front, 2-piece set
Package Order No. 992.044.841	1 x	For Scope 2: Rear part, SportDesign package SportDesign rear part for 992 C2/C4 USA with ParkAssist, with camera
Package Order No. 992.044.880	1 x	Scope 3: Aerokit Aerokit with Galvano Silver vanes
9Y0.044.862.A	1 x	Aerokit with prime-coated vanes
Package Order No. 992.044.836	1 x	For Scope 3: Aerokit spoiler lip Aerokit spoiler lip for 992, bottom front, 2-piece set

Work
Procedure:



Information

Some of the repair illustrations show only one side of the vehicle. Naturally, some steps also have to be performed on the opposite side of the vehicle as well. These must be carried out as a mirror image of the steps shown.



Information

The number of electric plug connections and clips will vary depending on equipment.

Important: Only paint prime-coated parts! Remove parts before painting. This note affects all work steps (Scope 1 – 3).

CAUTION

Painting components

- Risk of warping of components
- Risk of damage to components

⇒ Observe the guidelines and instructions for painting components in the "Paint" Workshop Manual.

⇒ Always place parts without tension on the painting devices provided during painting and drying processes.

1 The following work steps affect Scope 1 and 2.

- 1.1 Connect a battery charger. ⇒ *Workshop Manual 'Charging battery/vehicle electrical system'*
- 1.2 Raise the vehicle. ⇒ *Workshop Manual 'Lifting the vehicle'*
- 1.3 Remove front apron. ⇒ *Workshop Manual 'Removing and installing front apron'*
- 1.4 Replace the bumper. ⇒ *Workshop Manual 'Removing and installing front bumper'*
- 1.5 Replace left and right side guides ⇒ *Figure 2 -1-*.
- 1.6 Disassemble and assemble front apron. ⇒ *Workshop Manual 'Replacing front apron'*
- 1.7 Install front apron. ⇒ *Workshop Manual 'Removing and installing front apron'*

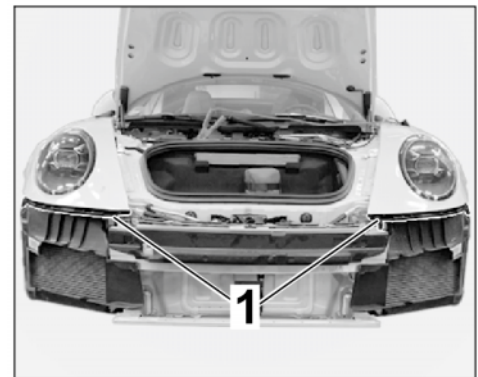


Figure 2

2 The following work steps affect Scope 2.

Important: Note the following when painting. ⇒ *Workshop Manual 'Instructions for painting rear apron (vehicles with Lane Change Assist)'*

- 2.1 Remove rear apron. ⇒ *Workshop Manual 'Removing and installing rear apron'*
- 2.2 Disassemble and assemble rear apron. ⇒ *Workshop Manual 'Replacing rear apron'*
- 2.3 Remove bumper. ⇒ *Workshop Manual 'Removing and installing rear bumper'*
- 2.4 Install heat shield on bumper.
 - 2.4.1 Screw left and right holders to the bumper using two nuts on each side ⇒ *Figure 3 -1-*

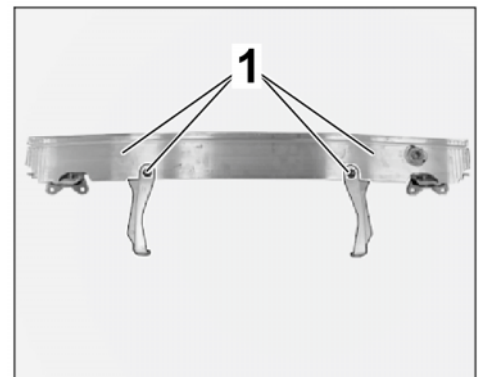


Figure 3

- 2.4.2 Install air guide ⇒ *Figure 4-1-*
using a nut ⇒ *Figure 4-2-*.

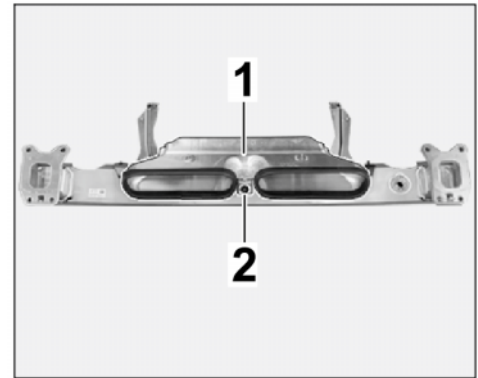


Figure 4

- 2.4.3 Install heat protection ⇒ *Figure 5-1-*
-1- using 6 nuts ⇒ *Figure 5-2-*.

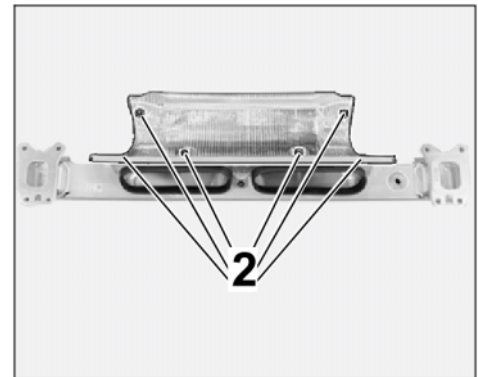


Figure 5

- 2.4.4 Install foam ⇒ *Figure 6-1-* to the bumper.
- 2.5 Remove charge-air cooler. ⇒ *Workshop Manual 'Removing and installing charge-air cooler'*



Figure 6

- 2.6 Replace charge-air cooler air guides ⇒ *Figure 7-1-*.
- 2.7 Install charge-air cooler. ⇒ *Workshop Manual 'Removing and installing charge-air cooler'*
- 2.8 Install bumper. ⇒ *Workshop Manual 'Removing and installing rear bumper'*
- 2.9 Install rear apron. ⇒ *Workshop Manual 'Removing and installing rear apron'*
- 3 The following work steps affect Scope 3.
 - 3.1 Completely remove rear spoiler. ⇒ *Workshop Manual 'Removing and installing rear spoiler'*
 - 3.2 Install lock for lid (tightening torque 9.7 NM), rubber sleeves (6x), holders for lower part of spoiler (2x), speed nuts (2x), and wire harness to new spoiler drive unit.
 - 3.3 Install new spoiler drive unit. ⇒ *Workshop Manual 'Removing and installing rear spoiler'*
 - 3.4 Install upper part of spoiler with lower part of spoiler.
 - 3.5 Install holders for spoiler unit on the rear apron (2x).
 - 3.6 Install lower part of spoiler. Place lower part of spoiler in position and move rearwards until it engages in the guides. Install screws to the front spoiler and tighten. Tightening torque 8 NM.
 - 3.7 Install upper part of spoiler.
- 4 Code vehicle.

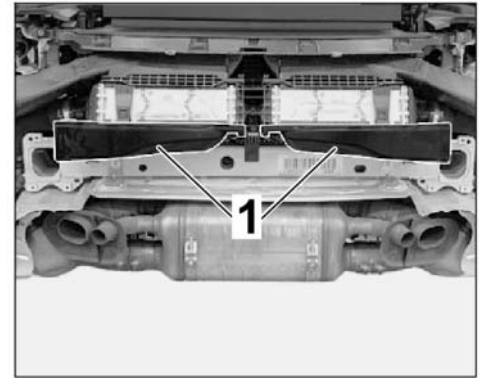


Figure 7

NOTICE

Voltage drop

- Risk of irreparable damage to control unit
 - Risk of damage to control unit
 - Fault entries in the control unit
 - Coding in the control unit is aborted
 - Malfunctions in control unit, even during programming
- ⇒ Before disconnecting the control unit, switch off ignition and remove ignition key.
- ⇒ Make sure that the power supply is not interrupted during programming.
- ⇒ Connect battery charger/power supply - Suitable for AGM Type batteries, recommended current rating of 90A fixed voltage 13.5V to 14.5V.

- 4.1 **9900 - PIWIS Tester 3** must be connected and ignition switched on.
- 4.2 Select "Diagnostics". **9900 - PIWIS Tester 3** detects the model line.
Press Next. PIWIS Tester III Diagnostics starts.
- 4.3 Update vehicle data.
 - 4.3.1 **Additional menu** must be selected by pressing **•F7"** . Press **•F11"** to confirm the question "Create vehicle analysis log (VAL)?".
 - 4.3.2 Select the **Maintenance of vehicle data** function. Press **•F12"** until PR numbers appears in the Value group column.
 - 4.3.3 Select **Trim CD value** in the Family column. When you touch the cell behind Trim CD value, the drop-down menu opens.

Select the value **between the installed scope**.

Press **•F12"** to change values.
 - 4.3.4 The selected values appear. Press **•F8"** to write values. Wait until the following message appears: **Generation of vehicle data is complete.** **Press**

Press **•F11"** to switch to the control unit overview.
- 4.4 Adapt coding.
 - 4.4.1 Select all control units by pressing **•Ctrl A"** . Press **•F12"** to continue.
 - 4.4.2 Switch to the **Coding/programming** menu. Press **•F12"** to continue.

Select **Automatic coding** mode. Press **•F12"** to continue.
 - 4.4.3 Wait until the following message appears: **Coding was completed successfully.** Press **•F12"** to continue.

Press **•F12"** to return to the **Overview** menu.
- 4.5 Switch off ignition and disconnect **9900 - PIWIS Tester 3**.
- 4.6 Disconnect the battery charger.

Scope 1, SportDesign package, front apron

66992340:	SportDesign package, rear apron Includes: Replace rear apron.	Labor time: 290 TU
63156191 + 510117101:	SportDesign package front apron and add-on parts Includes: Painting front apron.	Labor time: 110 TU

Scope 2, complete SportDesign package without AeroKit

66992345: Complete SportDesign package Labor time: **760 TU**
Includes: Replace front apron and rear apron. Replace charge-air cooler
air guides. Replace front and rear bumpers.

510117101: SportDesign package front apron and rear apron and add-on parts Labor time: **220 TU**
Includes: Painting front apron and rear apron.

Scope 3, SportDesign package, AeroKit

66992300: Complete SportDesign package, AeroKit Labor time: **225 TU**
Includes: Replace rear spoiler completely.

63156191 + SportDesign package AeroKit and add-on parts Labor time: **110 TU**
510117101: Includes: Painting rear spoiler completely.

Important Notice: Technical Bulletins issued by Porsche Cars North America, Inc. are intended only for use by professional automotive technicians who have attended Porsche service training courses. They are written to inform those technicians of conditions that may occur on some Porsche vehicles, or to provide information that could assist in the proper servicing of a vehicle. Porsche special tools may be necessary in order to perform certain operations identified in these bulletins. Use of tools and procedures other than those Porsche recommends in these bulletins may be detrimental to the safe operation of your vehicle, and may endanger the people working on it. Properly trained Porsche technicians have the equipment, tools, safety instructions, and know-how to do the job properly and safely. Part numbers listed in these bulletins are for reference only. The work procedures updated electronically in the Porsche PIWIS diagnostic and testing device take precedence and, in the event of a discrepancy, the work procedures in the PIWIS Tester are the ones that must be followed.

© 2021 Porsche Cars North America, Inc.