



Mack Chassis - Granite (GU) Equipped With Allison Transmission - Rear-Facing Dipstick Tube Interference



> Internal Content

If a body builder modification causes interference with the rear-facing dipstick tube, it may be necessary to convert the dipstick tube to an under-hood configuration. Information can be found on the Mack Trucks website on the body builder support page, located [here](#), under Function Group 4 (Transmission). A diagram and parts list for the under-hood configuration can be found [here](#).

An example of a rear-facing dipstick tube can be seen below:



Related links and attachments

No links or attachments available

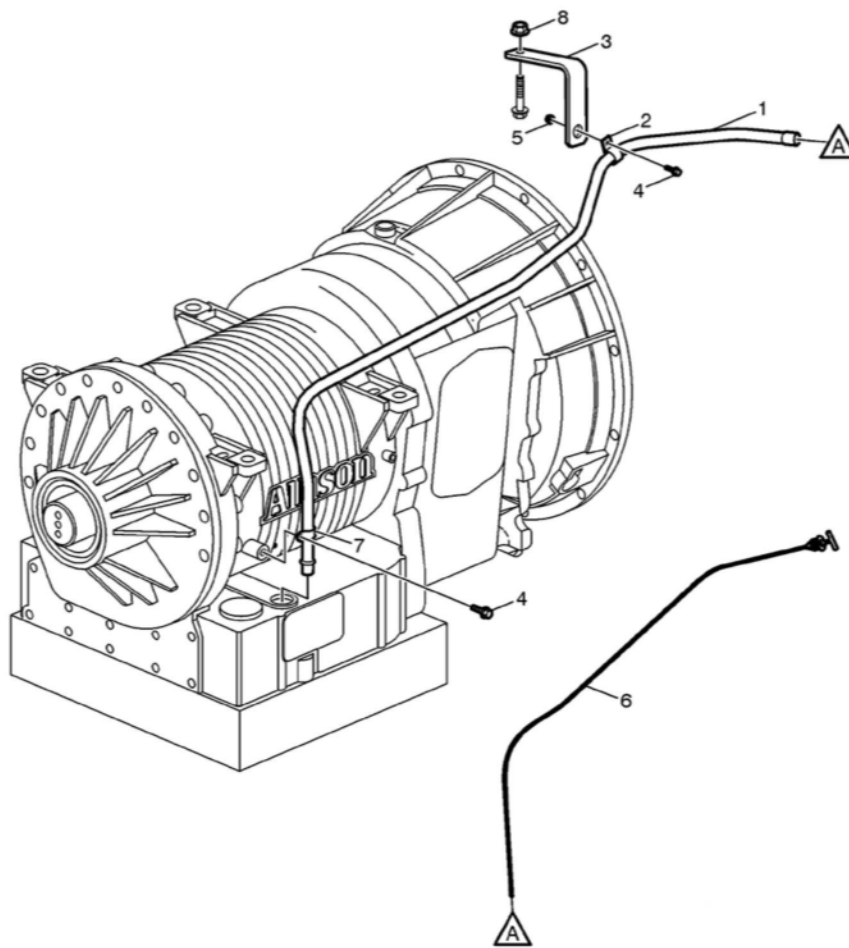


Feedback

[Give feedback](#)

to help improve the content of this article

GU Model Under-hood Allison Dipstick



W4126865

| Item | Part Number | Description | Qty. |
|------|-------------|---------------|------|
| 1 | 22101981 | Dipstick Tube | 1 |
| 2 | 190397 | Clamp | 1 |
| 3 | 22555679 | Bracket | 1 |
| 4 | 995462 | Flange Screw | 2 |
| 5 | 990939 | Flange Nut | 1 |
| 6 | 22027929 | Dipstick | 1 |
| 7 | 25161716 | Clamp | 1 |
| 8 | 990940 | Flange Nut | 1 |