

N576NAS1

TECHNICAL BULLETIN

06 OCT 2021



© Jaguar Land Rover North America, LLC

NOTE: The information in Technical Bulletins is intended for use by trained, professional Technicians with the knowledge, tools, and equipment required to do the job properly and safely. It informs these Technicians of conditions that may occur on some vehicles, or provides information that could assist in proper vehicle service. The procedures should not be performed by 'do-it-yourselfers'. If you are not a Retailer, do not assume that a condition described affects your vehicle. Contact an authorized Land Rover service facility to determine whether this bulletin applies to a specific vehicle.

SECTION:

100-00

SUBJECT/CONCERN:

Service Action - Coolant Level Sensor Loose

AFFECTED VEHICLE RANGE:

MODEL:	MODEL YEAR:	VIN:
Defender (LE)	2020-2021	000001-025820

MARKETS:

CANADA, USA

CONDITION SUMMARY:

SITUATION:

An issue has been identified on a limited number of Land Rover vehicles within the listed Affected Vehicle Range where on certain 2020 to 2021 model year Defender vehicles, a false low coolant level warning message may be displayed on the Instrument Panel Cluster Control Module (IPC), due to a loose coolant level sensor.

ACTION:

Retailers are required to HOLD affected new vehicles that are within your control and refrain from releasing the vehicles for new vehicle sale pending completion of the procedure(s) detailed in this Technical Bulletin. Unsold vehicles should have this performed as part of the Pre-Delivery Inspection (PDI) process but must have it completed prior to vehicle handover to the customer.

Affected vehicles already in the hands of customers should be updated at the next available opportunity.

PARTS INFORMATION

NOTE:

The parts below should be ordered through Jaguar Land Rover (JLR) in the normal manner.

DESCRIPTION	PART NUMBER	QTY
Coolant expansion tank	LR166954	1

SPECIAL TOOLS INFORMATION:

Refer to TOPIx Workshop Manual/Service Instruction(s) for any required special tools.

SROS

DESCRIPTION	SRO	TIME
N576 - Inspect coolant expansion tank part number - No further action	05.10.10	0.1
N576 - Inspect coolant expansion tank part number - Renew coolant expansion tank	99.02.01.15	0.3
Drive In/drive out	02.02.02	0.2

NOTE:

Repair procedures are under constant review, and therefore times are subject to change; those quoted here must be taken as guidance only. Always refer to TOPIx to obtain the latest repair time.

WARRANTY INFORMATION

NOTE:

Use the Jaguar Land Rover claims submission system to make sure that a vehicle is eligible for this program prior to undertaking any rework action.

At the time of confirming a booking for vehicle repair, make sure that all open Recall and Service Actions are identified to make sure the correct parts are available and adequate workshop time is allocated for repairs to be completed at one visit.

Warranty claims should be submitted quoting program code N576 with the relevant option code from the table below. As option codes are used there is no requirement for you to enter SROs or parts, these are included for information only.

The Option Code(s) that allows for the drive in/drive out allowance may only be claimed if the vehicle is brought back into the workshop for this action alone to be undertaken.

This program is valid for a limited time only. Warranty claims with a repair date prior to the September 30, 2023 closure date must be submitted for payment within 30 calendar days of completion of the repair.

PROGRAM CODE	OPTION	DESCRIPTION	SRO	TIME	PART NUMBER	QTY
N576	A	N576 - Inspect coolant expansion tank part number - No further action	05.10.10	0.1	N/A	N/A

PROGRAM CODE	OPTION	DESCRIPTION	SRO	TIME	PART NUMBER	QTY
N576	B	N576 - Inspect coolant expansion tank part number - No further action Drive In/drive out	05.10.10 02.02.02	0.1 0.2	N/A	N/A
N576	C	N576 - Inspect coolant expansion tank part number - Renew coolant expansion tank	99.02.01.15	0.3	LR166954	1
N576	D	N576 - Inspect coolant expansion tank part number - Renew coolant expansion tank Drive In/drive out	99.02.01.15 02.02.02	0.3 0.2	LR166954	1

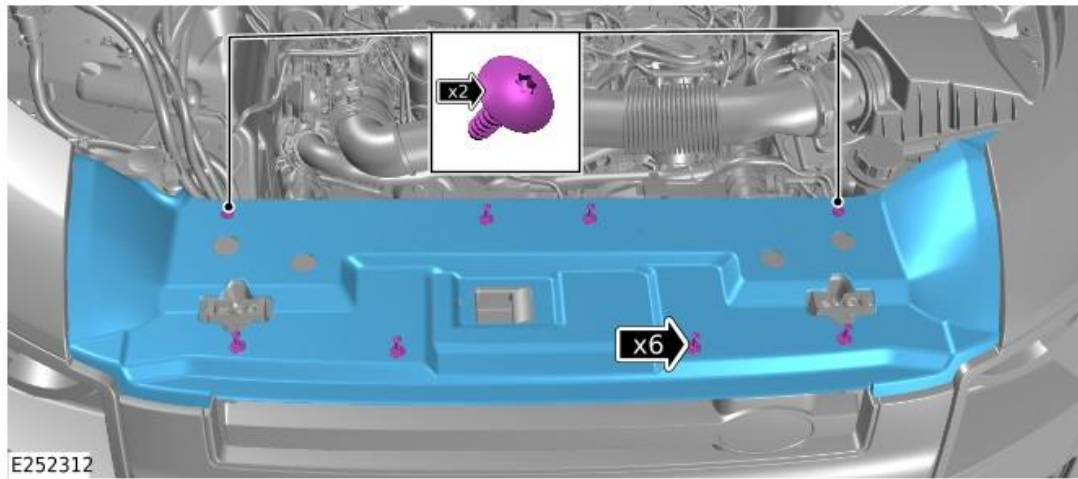
Warranty claims should be submitted in accordance with the current JLR Global Warranty Manual, and its amendments, unless stated otherwise in this bulletin.

SERVICE INSPECTION

NOTES:

- Some variation in the illustrations may occur, but the essential information is always correct.
- Some components shown removed for clarity.

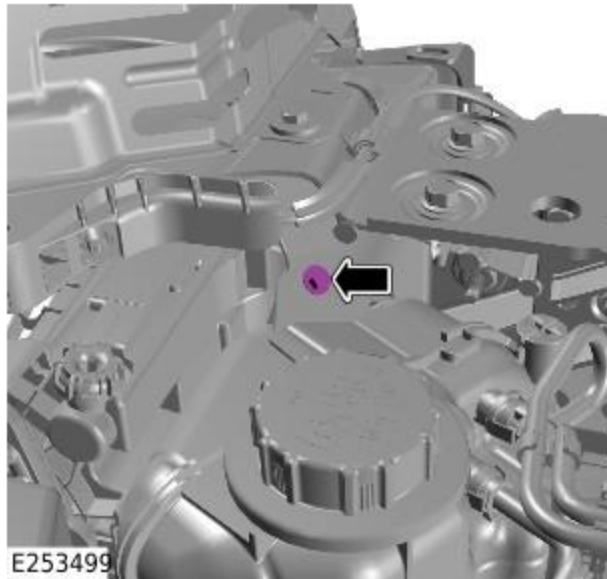
1.



Remove the upper radiator grille panel.

- Remove the 2 bolts.
 - Torque: **5 Nm**
- Remove the 6 clips.

2.



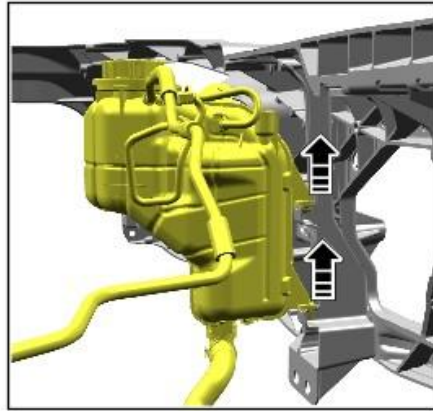
Remove the bolt from the coolant expansion tank bracket.

- Torque: **2.8 Nm**

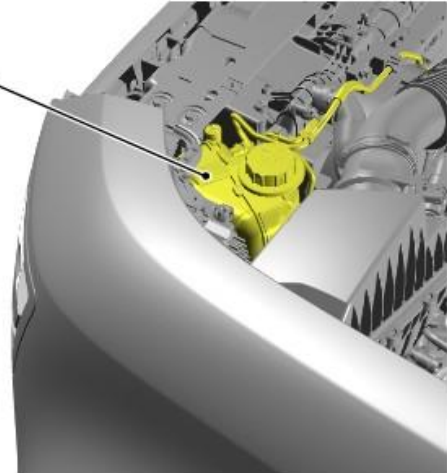
3.

NOTE:

The coolant expansion tank part number is located on the opposite side of the expansion tank to the Min/Max markings.

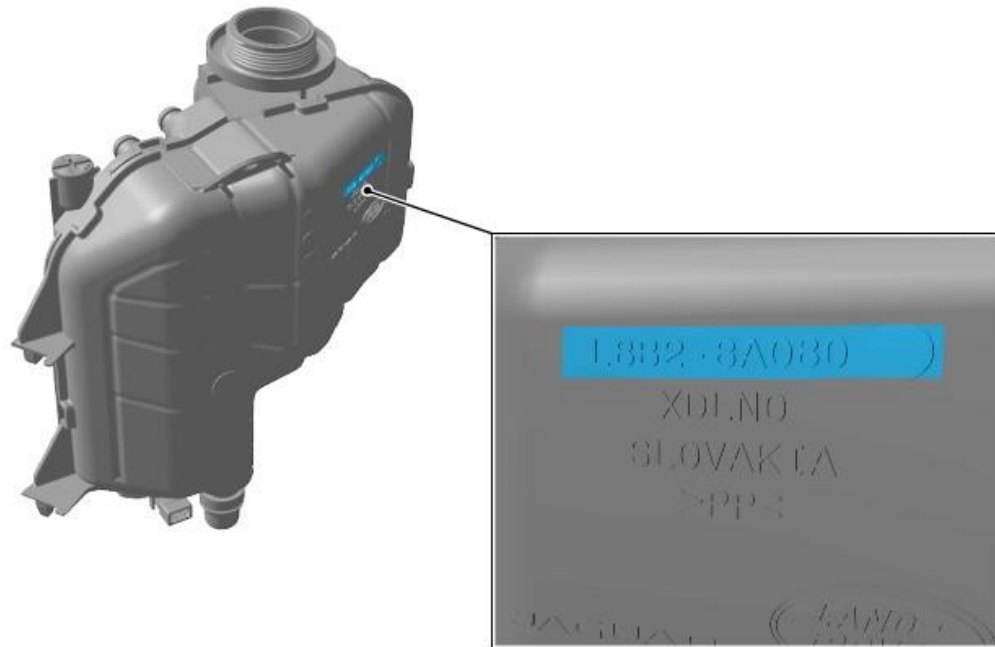


E253500



Release the coolant expansion tank and reposition upwards so the part number is visible.

4.



E283547

Inspect the coolant expansion tank part number.

- If the coolant expansion tank part number is **L8B2-8A080-AF** or **L8B2-8A080-AG**, reverse steps 1 to 3 and release the vehicle.
- If the coolant expansion tank part number is not **L8B2-8A080-AF** or **L8B2-8A080-AG**, continue to the Service Instruction.

SERVICE INSTRUCTION

NOTE:

The coolant removed from the coolant expansion tank must be stored in a clean container to avoid contamination. The coolant collected during the removal process must be reused when filling the new coolant expansion tank to the correct level.

1. Renew the coolant expansion tank (see TOPIx Workshop Manual section 303-03: Engine Cooling - Removal and Installation - Coolant Expansion Tank - **Complete removal steps 4 to 7, followed by all installation steps**).