

# Service Alert

Mazda North American Operations  
Irvine, CA 92618-2922



<b>Subject:</b>  NEW CYLINDER HEAD ASSEMBLY ESTABLISHED	<b>Service Alert No.:</b> SA-031/21
	<b>Last Issued :</b> 10/12/2021

## BULLETIN NOTES

This service alert supersedes the previously issued service alert listed below. The changes are noted in Red text.

Previous TSBs:	Date(s) Issued:
SA-031/21	08/05/21 and 05/06/21
SA-058/20	12/21/20, 08/20/20, 08/05/20 and 7/24/20

**DUE TO A SUPPLY ISSUE FOR CYLINDER HEADS, GASKET SETS, AND PARTIAL ENGINE, PLEASE CONTACT HOTLINE FOR REPAIR GUIDANCE.**

## APPLICABLE MODEL(S)/VINS

- 2018-2021 CX-5 2.5 SKYACTIV G with cylinder deactivation only (US spec)
- 2018-2021 Mazda6 2.5 SKYACTIV G with cylinder deactivation only (US spec)
- 2019-2021 Mazda3 2.5 SKYACTIV G with cylinder deactivation only (US spec)
- 2020-2021 CX-30 2.5 SKYACTIV G with cylinder deactivation only (US spec)

Searching Key Words: Cam Journal, Valve Guide, Intake Valve, Exhaust Valve, Valve Spring, Hydraulic Lifter, Coolant leak, Coolant smell, Warp head, Engine Oil Leak, Oil Smell, Oil leak, Misfire, Low Compression, Excessive Leak Down, Burnt Valves, Rocker Arm.

## DESCRIPTION

A new cylinder head assembly for service parts has been newly established for SKYACTIV-G 2.5 with cylinder deactivation when replacement is needed. Valves, valve springs, valve spring seats, and cotters (IN/EX) are included in the new assembly.

**DUE TO A SUPPLY ISSUE FOR CYLINDER HEADS, GASKET SETS, AND PARTIAL ENGINE, PLEASE CONTACT HOTLINE FOR REPAIR GUIDANCE.**

## REPAIR PROCEDURE

**CAUTION:** Inspect the replacement cylinder head for scratches, damage, and proper valve keeper installation before installing the head. Photograph and contact Hotline if any problems are found.

Several videos have been created to aid with the cylinder head replacement

Page 1 of 2

**CONSUMER NOTICE:** The information and instructions in this bulletin are intended for use by skilled technicians. Mazda technicians utilize the proper tools/ equipment and take training to correctly and safely maintain Mazda vehicles. These instructions should not be performed by "do-it-yourselfers." Customers should not assume this bulletin applies to their vehicle or that their vehicle will develop the described concern. To determine if the information applies, customers should contact their nearest authorized Mazda dealership. Mazda North American Operations reserves the right to alter the specifications and contents of this bulletin without obligation or advance notice. All rights reserved. No part of this bulletin may be reproduced in any form or by any means, electronic or mechanical--including photocopying and recording and the use of any kind of information storage and retrieval system ---without permission in writing.

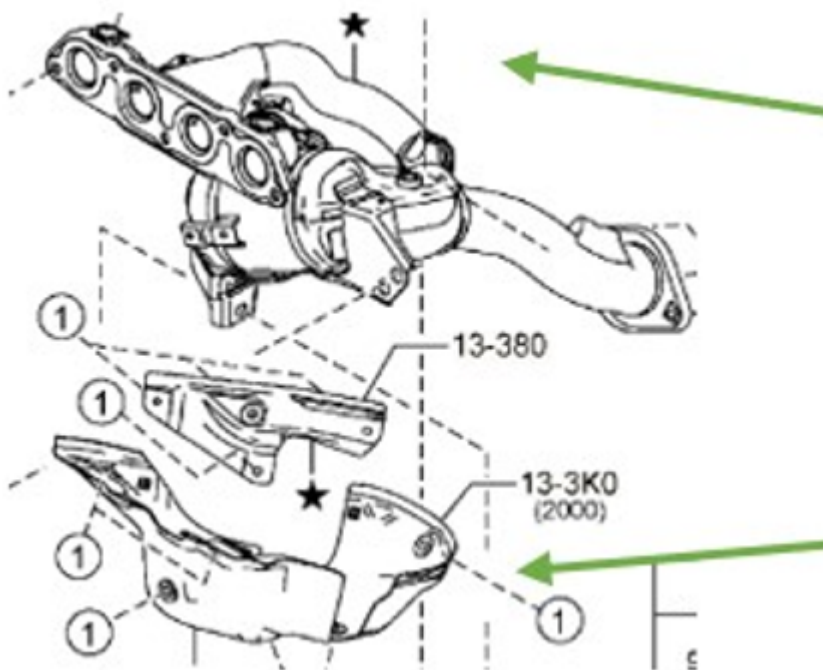
**VIDEO REVIEW IS REQUIRED BEFORE PROCEEDING WITH HEAD REPLACEMENT.**

**NOTE:** Videos are for reference only. Refer to the instructions on MGSS for more detail.

**CAUTION:** Care should be taken when handling the wire harnesses. Bending or stretching the harnesses could break the wires and this type of damage is not covered under warranty.

- Timing Chain Replacement
- Colored Timing Chain Links
- Camshaft Inspection
- Cylinder Inspection
- Bolt Hole Prep
- SHLA Installation
- SHLA Installation - Correct vs Incorrect
- Fuel Injector Seal Replacement

**CAUTION:** Remove both heat shields from the exhaust manifold to thoroughly clean the exhaust manifold and shields of oil and debris.



**CONSUMER NOTICE:** The information and instructions in this bulletin are intended for use by skilled technicians. Mazda technicians utilize the proper tools/ equipment and take training to correctly and safely maintain Mazda vehicles. These instructions should not be performed by "do-it-yourselfers." Customers should not assume this bulletin applies to their vehicle or that their vehicle will develop the described concern. To determine if the information applies, customers should contact their nearest authorized Mazda dealership. Mazda North American Operations reserves the right to alter the specifications and contents of this bulletin without obligation or advance notice. All rights reserved. No part of this bulletin may be reproduced in any form or by any means, electronic or mechanical--including photocopying and recording and the use of any kind of information storage and retrieval system ---without permission in writing.