



SERVICE BULLETIN

Release Date: October 20, 2020

Expiration Date: October 20, 2022

SLI

Communication #: T-20-01

Model Year(s): 2020

— Confidential and Proprietary —

VERSION: R03 (October 20, 2021)

****Extended coverage period to 10/20/2022****

IMPORTANT

If you are working with a printed copy, please verify you have the most current version of this document.

SUBJECT: OIL VOLUME & PCV FITTING

PURPOSE

Polaris has determined that 2020 Slingshot vehicles may exhibit increased oil consumption through the PCV system under certain driving conditions which can lead to a low oil level and premature wear to the engine.

To resolve this concern, Polaris has developed a new PCV fitting with a decreased orifice size and increased the engine oil quantity from 5 to 6 quarts.

AFFECTED MODELS

MODEL YEAR	MODELS	VEHICLE IDENTIFICATION NUMBER RANGE
2020	Slingshot R	Reference Unit Inquiry on the dealer website or the Service Communications list on the STOP site to lookup affected VINs.
	Slingshot SL	
	Slingshot GT	

CUSTOMER NOTIFICATION

Dealers are required to review their sales records and make arrangements with customers for Bulletin completion. In addition to consumer units, dealers are required to correct any affected units in their inventory. Polaris will be mailing a notification letter to consumers affected by this Bulletin.

WARRANTY CLAIM PARTS INFORMATION

Bulletin parts are excluded from the standard RMA policy and cannot be returned. An Initial Recommended Order Quantity has not been provided for this bulletin. Use Quantity Ordered to Date and the Open VIN List from the STOP site to determine an order amount that's right for your dealership. For more details, refer to University of Polaris training course "Polaris Item Availability and Daily Ordering" and click on "Bulletin Ordering Training".

2020 SLINGSHOT	
Bulletin	T-20-01
Claim Type	SB (Service Bulletin)
Labor Allowance	0.8 hours (48 minutes)
Part Number / Description	<ul style="list-style-type: none">• 2209077 (QTY 1), Kit• 2884536 (QTY 6) PS-4 Full Synthetic SAE 5W-50 Motor Oil, Qt• 2521728 (QTY 1) Filter, Oil
Parts Availability	Available to order
University of Polaris Video Training Required	NO

INVENTORY / STOCK PART CLAIMS

Dealers should review their service parts inventory and ensure the following service parts are **NOT** used:

- 5141974 - PCV Fitting
- 3023452 - Dipstick

NOTICE

To remove these service parts from circulation, file a Part Stock claim as directed below.

Use the following process for filing a Part Stock warranty claim for any of the parts listed above.

1. Start a new Part Stock warranty claim.
2. Select Product Line: SLI
3. Enter today's date into the Date Failed and Date Repair information fields
4. Enter T-20-01 into the CONCERN field.
5. Enter T-20-01 into the CAUSE field.
6. Enter Removed From Inventory into the CORRECTION field.
7. Enter the part number and quantity.
8. Enter warranty fail codes: 142/279/209
9. Validate the parts.
10. Save and submit the claim to Polaris.

BULLETIN CONTACT LIST & SCHEDULING TOOL

A scheduling tool is available for dealers to keep a record of customers contacted and scheduled for this bulletin. This optional tool provides visibility for your dealership and will be helpful to track the status of scheduled service. For more information, log in to <http://www.universityofpolaris.com>.

COVERAGE PERIOD

Coverage will begin on October 20, 2020. Coverage will expire on October 20, 2022.

PARTS RETURN / DISPOSAL INFORMATION

Under no circumstances shall the parts removed be re-used, sold, or re-purposed for another application. It is your dealership / distributor's responsibility to make sure every part replaced (related to this communication) is taken out of circulation and disposed of properly or returned to Polaris (if required).

FEEDBACK FORM

A feedback form has been created for the technician to provide Polaris with an overall satisfaction rating for the instructions, provide comments on your experience or upload pictures/video. This feedback form is viewable on a mobile device by scanning the QR code or by clicking [HERE](#) if viewing this document electronically.



T-20-01 PROCEDURE

TOOLS REQUIRED

- #1 flat blade screwdriver
- 1/2" drive socket wrench
- 17 mm deep well socket
- 18 mm deep well socket
- Oil Filter Socket - PU-52890
- 6 mm allen wrench

OIL CHANGE

1. Park vehicle on flat and level surface. Apply parking brake. Press the Start/Stop button to power the vehicle "OFF".
2. Push the hood release handle and lift the hood forward.
3. Perform an oil change:
 - Place the vehicle on a level surface and allow the engine to run, if necessary, two to three minutes until warm. Stop engine and set parking brake.
 - Clean the area around the drain plug at the bottom of the oil pan.

⚠ WARNING

Personal injury can occur when handling used oil. Hot oil can cause burns or skin damage.

- Place a drain pan beneath the oil pan, and use a 6 mm allen wrench to remove the drain plug ①.
- Remove the crush washer from the drain plug and DISCARD.
- Allow oil to drain completely.
- Using a clean, dry cloth, clean drain plug sealing surface on crankcase.

NOTICE

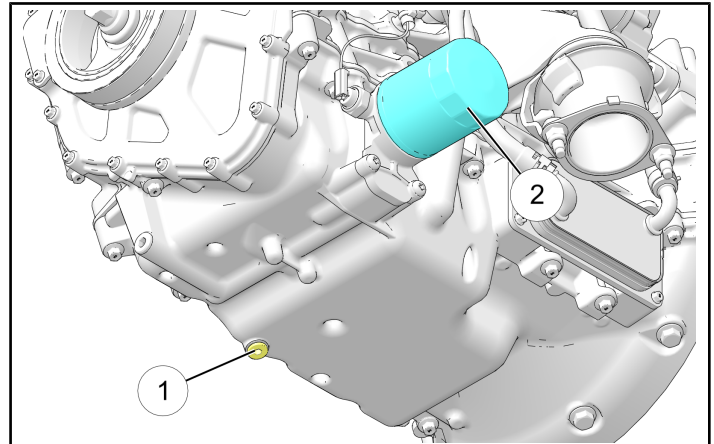
The sealing surface on the drain plug should be clean and free of burrs, nicks or scratches.

- Install NEW crush washer onto the drain plug ① and install. Torque to specification.

TORQUE

Oil Drain Plug:
13 ft-lbs (18 N·m)

- Using oil filter socket **PU-52890**, turn the oil filter ② counter-clockwise to remove and discard.



- Lubricate gasket area on new oil filter with a film of fresh engine oil. Check to make sure the sealing areas are in good condition.
- Install a new oil filter and torque to specification.

TORQUE

Oil Filter:

Turn by hand until filter O-ring contacts sealing surface, then turn an additional 3/4 turn.

- Fill the engine with oil to the recommended level through the oil filler access cap on top of the valve cover.

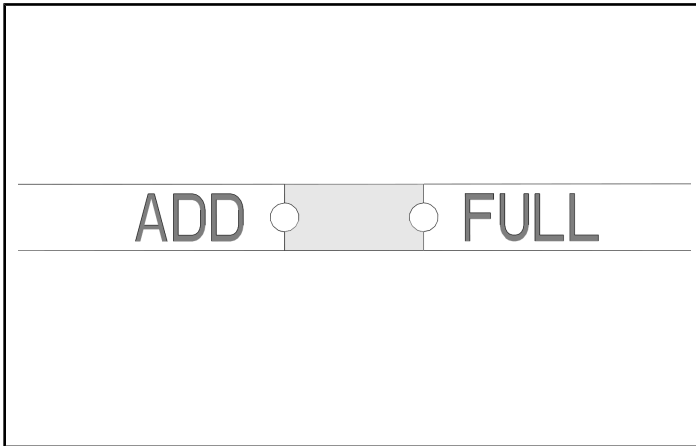
FLUID CAPACITY

Recommended Engine Oil: PS-4Full Synthetic SAE 5W-50

Engine Oil Capacity: 6.0 Qt (5.68 L)

- Place gear selector in neutral.
- Start the engine and let it idle for one to two minutes. Stop the engine and inspect for leaks.
- Remove the dipstick and DISCARD.

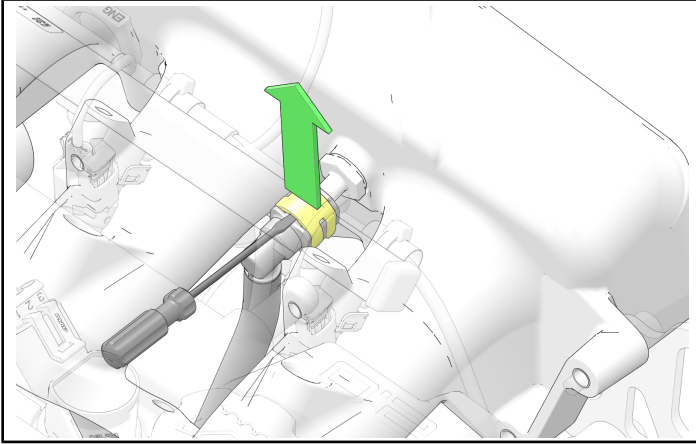
- Install NEW (orange handled) dipstick. Re-check the oil level on the NEW dipstick after three minutes and add oil as necessary to bring the level to the safe zone on the dipstick.



- Dispose of used oil and oil filter properly.

PCV FITTING REPLACEMENT

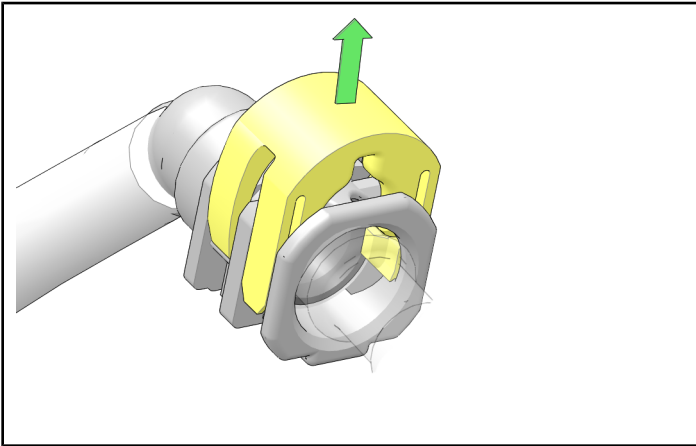
1. Insert a #1 flat blade screwdriver into the pry slot on the top of the retaining clip.



IMPORTANT

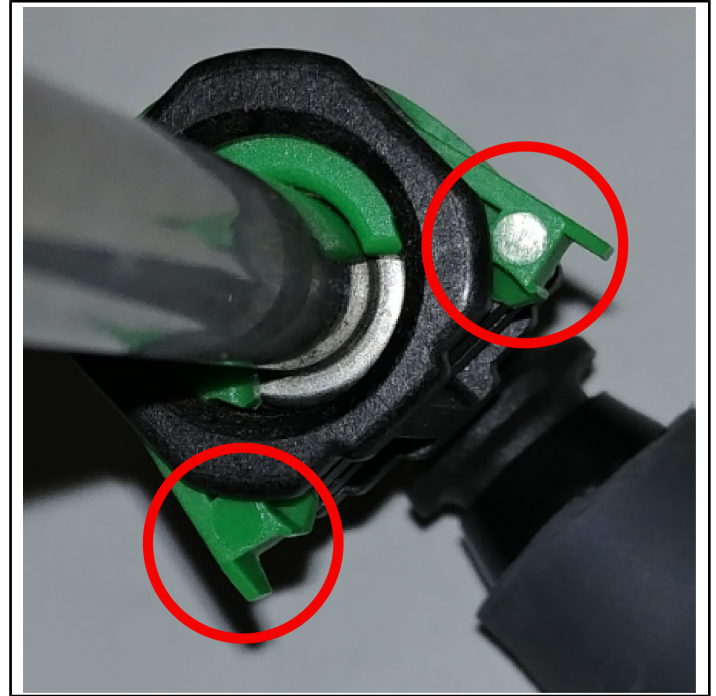
To prevent damage to the retaining clip, be sure to use a flat blade screwdriver that fits into the pry slot.

2. Gently pry the retaining clip upwards into the open position.



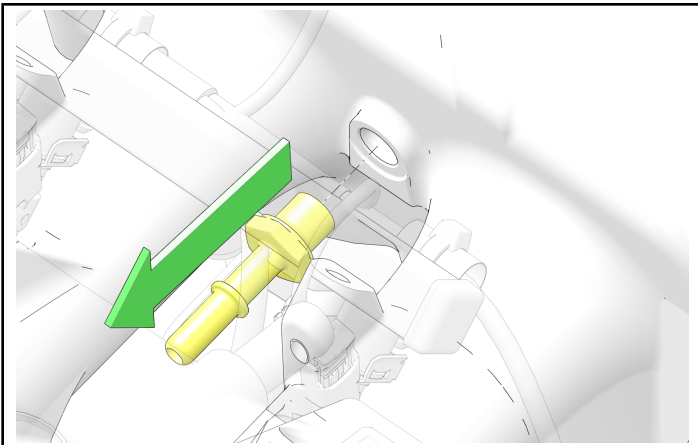
3. Remove the breather hose and position it down and out of the way to allow access to the PCV valve.
4. **Indicators that the quick connect is damaged, and assembly replacement is needed:**

- The retaining clip can be closed without the insertion of a hard line end. The retaining clip is designed to lock only when a hard line end has been fully inserted.
- Retaining tabs are deformed and no longer lock into the body of the quick connect.



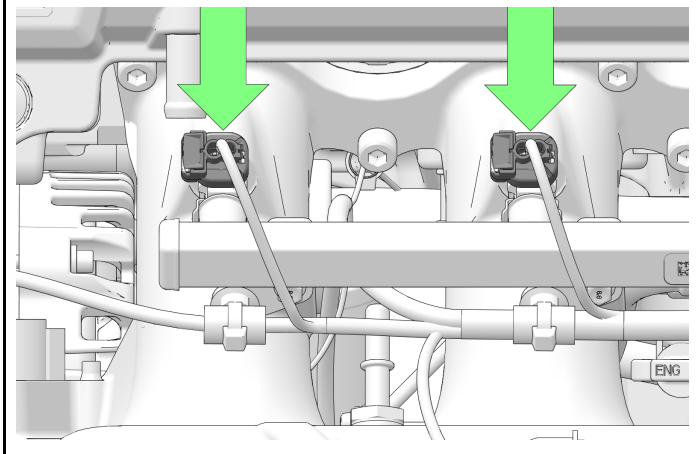
- Broken retaining tabs, or any sign of cracks in the retaining clip. The retaining clip is responsible for holding the quick connect on the line when under pressure.
- Quick connect has been twisted from its original inserted position, or the connector has been damaged.

5. Using a 17 mm deep-well socket, remove the PCV fitting from the intake and discard.

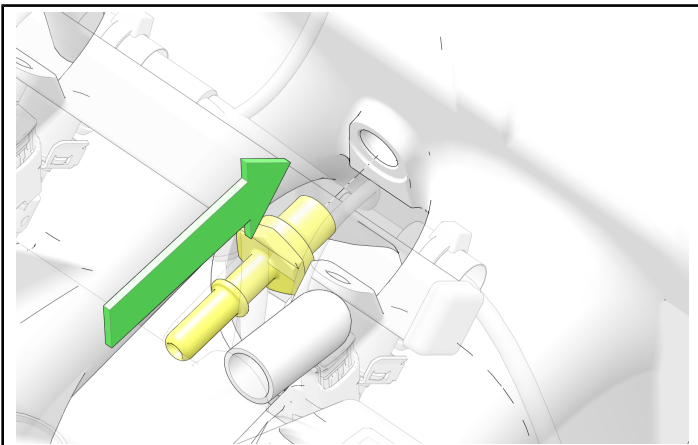


IMPORTANT

Use care not to move the injectors when removing or installing the PCV fitting.



6. Using a 18 mm deep-well socket, install the **NEW** PCV fitting. Torque to specification.



TORQUE

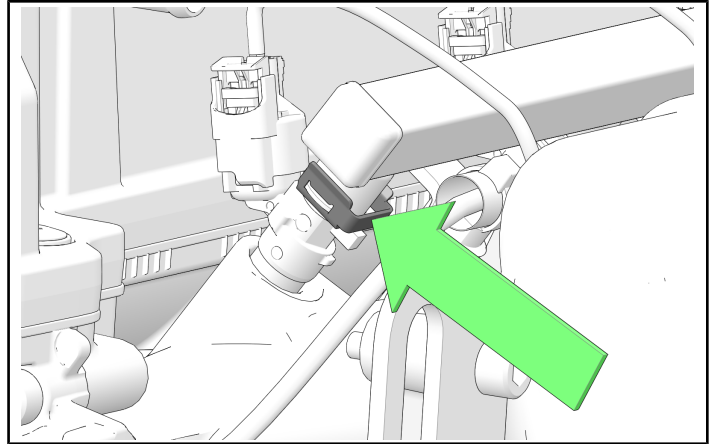
PCV Fitting:
106 in-lbs (12 N·m)

7. Install the breather hose and lock the retaining clip.

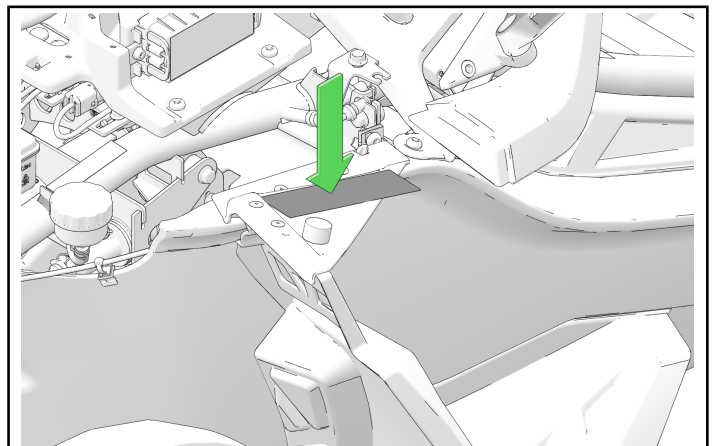
IMPORTANT

Perform a push / pull test on the breather hose to ensure the retaining clip is properly engaged.

8. Inspect the fuel injector clips and make sure they are seated properly.



9. Using soap and water, clean the surface of the old quantity label. Install the **NEW** oil quantity label, supplied in the kit, over the existing label as shown.



10. Provide the Owner's Manual addendum to the customer or place in the Owner's Manual.
11. Close the vehicle hood and make sure all latch points are secure.
12. Start the engine and verify no fault codes are present.
13. File a SB claim for T-20-01.