

Approved Summer Tires, Wheels and Spacers (65/21)



Information

Revision: This bulletin replaces bulletin Group 4 33/08, dated May 25, 2011.

Model Year: **As of 2009**

Vehicle Type: **Cayman (987) / Cayman S (987) / Cayman R (987)**

Information: **Currently approved tires – August 2021**



WARNING

Driving with different tires (mixed tires)

- **Uncontrollable vehicle handling**

⇒ **Only use tires of the same make and type, with the same speed index and the same specification code (N0, N1, N2, ...) on a vehicle.**

Makes/Types: The tire makes and types shown in **bold** in the table below are currently approved makes and types. We recommend that you use these tires when installing new tires.

Dimension	Tire make and type / Label value (Link to EU database)	Comments
205/55 ZR 17 91Y 235/50 ZR 17 96Y	Michelin Pilot Sport 2 N0 (Inside/Outside) FA/RA: Label value not available	For Cayman only
	Michelin Pilot Sport 2 N1 (Inside/Outside) FA: https://eprel.ec.europa.eu/qr/409637 RA: https://eprel.ec.europa.eu/qr/412731	
	Continental SportContact 3 N2 (Inside/Outside) FA/RA: Label value not available	
	Goodyear Eagle F1 Asymmetric N0 (Inside/Outside)	

Dimension	Tire make and type / Label value (Link to EU database)	Comments
	FA: https://eprel.ec.europa.eu/qr/530991 RA: https://eprel.ec.europa.eu/qr/530182	
235/40 ZR 18 (95Y) 265/40 ZR 18 (101Y) XL	Bridgestone Potenza RE050A N1 (Inside/Outside) FA: https://eprel.ec.europa.eu/qr/382062 RA: https://eprel.ec.europa.eu/qr/383194	For Cayman, Cayman S and Cayman R
	Continental SportContact 3 N1 (Inside/Outside) FA/RA: Label value not available	
	Michelin Pilot Sport 2 N4 (Inside/Outside) FA: https://eprel.ec.europa.eu/qr/410964 RA: https://eprel.ec.europa.eu/qr/410701	
235/35 ZR 19 (87Y) 265/35 ZR 19 (94Y)	Bridgestone Potenza RE050A N1 (Inside/Outside) FA/RA: Label value not available	For Cayman, Cayman S and Cayman R
	Michelin Pilot Sport 2 N1 (Inside/Outside) FA/RA: Label value not available	
	Michelin Pilot Sport 2 N2 FA/RA: Label value not available	
	Goodyear Eagle F1 Asymmetric N0 (Inside/Outside) FA: https://eprel.ec.europa.eu/qr/530195 RA: https://eprel.ec.europa.eu/qr/530181	
	Pirelli P-Zero N2 (Inside/Outside) FA: https://eprel.ec.europa.eu/qr/594212 RA: https://eprel.ec.europa.eu/qr/594234	



Information

N... = Specification code of the tire, e.g. "N0", "N1", "N2" ... The complete "N ..." code of the tires in question must be shown on the tire sidewall near the tire type designation.

Instructions for correct mounting of the tires are also given on the tire sidewall. If there are no mounting instructions on the tire sidewall, the tire must be mounted so that the DOT marking is visible from the outside.

- Arrow with inscription "Rotation" = directional mounting.
- "Inside/Outside" inscription = mounting on specified side only.
- Arrow with both inscriptions "Rotation" and "Inside/Outside" = directional mounting on specified side only.



Information

If a tire is damaged and it is not possible to determine with absolute certainty that there is no ply damage - with all of its consequences - or if the tire was thermally and/or mechanically overloaded due to a loss of pressure or other prior damage, replace the tire in question for safety reasons.

Repairs to "V", "W", "Y" and "ZR" tires are not permissible, as well as the use of inner tubes in tubeless tires. Please inform your customers accordingly. It is advisable to mount winter tires at temperatures below **45° F/7°C**, because the driving characteristics of summer tires are reduced at low temperatures. Extremely low temperatures can cause permanent damage to summer tires.



Incorrect tire pressure

- **Uncontrollable vehicle handling**
- ⇒ **Adjust the tire pressure according to specifications. Never allow the pressure to fall below the minimum pressure.**
- ⇒ **Check age of tires. Replace tires that are more than 6 years old.**
- ⇒ **Perform visual inspections.**
- ⇒ **Use new rubber valves at every tire change.**
- ⇒ **Use only tires approved by Porsche.**

Tire Pressure:

Wheel size	Cayman/Cayman S Tire pressure FA/RA	Cayman R Tire pressure FA/RA
17-inch wheels	2.0 bar/2.1 bar (29 psi/30 psi)	

18-inch wheels	2.0 bar/2.1 bar (29 psi/30 psi)	2.0 bar/2.1 bar (29 psi/30 psi)
19-inch wheels	2.2 bar/2.3 bar (32 psi/33 psi)	2.2 bar (32 psi)/2.2 bar (32 psi)



Information

The tire pressure applies only to the tire makes and types approved by Porsche, and is specified for cold tires (approx. **68° F/20°C**). The tire pressures must never be lower than the specified values.

Sizes:

Permissible summer tire and wheel sizes (RO = rim offset in mm)

Tires	Wheels	Comments
Front: 205/55 ZR 17 91Y Rear: 235/50 ZR 17 96Y	7 J x 17, RO 55 8,5 J x 17, RO 40	For Cayman only
Front: 205/55 ZR 17 91Y Rear: 235/50 ZR 17 96Y	7 J x 17, RO 55 8,5 J x 17, RO 40	For Cayman only 5-mm spacer, Part No. 997.361.605.90, permitted per wheel, snow chains cannot be installed.
Front: 235/40 ZR 18 (91Y) Rear: 265/40 ZR 18 (101Y) XL	8 J x 18, RO 57 9 J x 18, RO 43	For Cayman, Cayman S and Cayman R
Front: 235/40 ZR 18 (91Y) Rear: 265/40 ZR 18 (101Y) XL	8 J x 18, RO 57 9 J x 18, RO 43	For Cayman, Cayman S and Cayman R 5-mm spacer, Part No. 997.361.605.90, permitted per wheel, snow chains cannot be installed.
Front: 235/35 ZR 19 (87Y) Rear: 265/35 ZR 19 (94Y)	8 J x 19, RO 57 9,5 J x 19, RO 46	For Cayman, Cayman S and Cayman R Snow chains cannot be installed.
Front: 235/35 ZR 19 (87Y) Rear: 265/35 ZR 19 (94Y)	8 J x 19, RO 57 9,5 J x 19, RO 46	For Cayman, Cayman S and Cayman R 5-mm spacer, Part No. 997.361.605.90, permitted per wheel, snow chains cannot be installed.
Front: 235/35 ZR 19 (87Y) Rear: 265/35 ZR 19 (94Y)	8,5 J x 19, RO 55 10 J x 19, RO 42	For Cayman, Cayman S and Cayman R Snow chains cannot be installed.

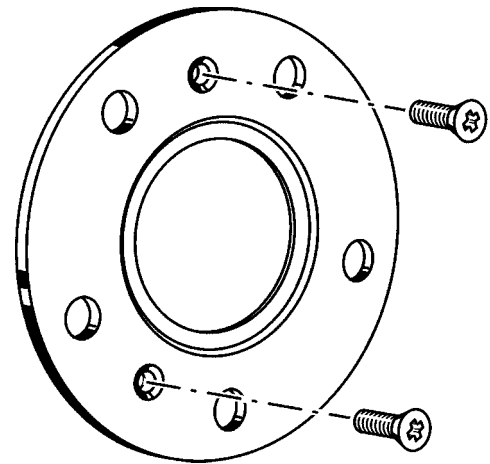
Subsequent installation of spacers

Securing spacers and wheels

The 5-mm thick spacers are secured on the wheel hubs together with the brake discs using countersunk screws (M6x16), Part No. 900.269.106.09.

Tightening torque 10 Nm (7.5 ftlb.)

The 5-mm spacer must remain on the vehicle when mounting the spare wheel.



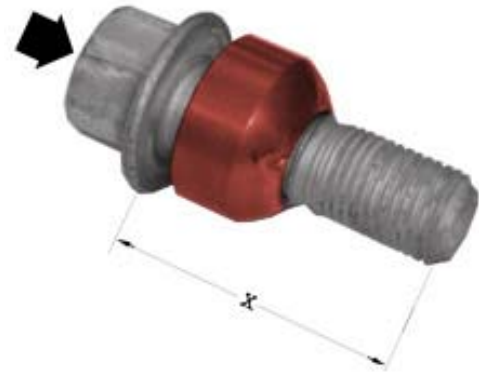
5-mm spacer

Wheels must be mounted using 5 mm longer wheel bolts, Part No. 996.361.980.00. These wheel bolts are marked with GT or with a red color on the front of the bolt head (arrow) or the rotating spherical cap is galvanized in red.

Length "X" approx. 50 mm

Tightening torque 130 Nm (96 ftlb.)

If the spacer is removed, the original wheel bolts, **Length "X" approx. 45 mm**, must be used again.



Wheel bolt

⚠ WARNING

Wheel electronics units not detected, incorrectly secured or loose on vehicles without Tire Pressure Monitoring (TPM)

- Risk of damage to wheels and/or tires
- Uncontrollable vehicle handling

⇒ Do not mount wheels with wheel electronics units on vehicles without TPM.

Wheels:

Overview of Porsche wheels for summer tires

Identification on the inside/outside of the wheel disc:
Wheel size, rim offset (RO) in mm, Part No. and Porsche logo

5.5 J x 17 H2, RO 24
996.362.020.03 (incl. tire and valve)

Spare wheel
(not shown)

Front: 7 J x 17 H2, RO 55
Part No. 987.362.125.01

Rear: 8.5 J x 17 H2, RO 40
Part No. 987.362.127.06



17-inch Cayman II wheel

Front: 7 J x 17 H2, RO 55
Part No. 987.362.125.00

Rear: 8.5 J x 17 H2, RO 40
Part No. 987.362.127.05



17-inch Boxster III wheel

Front: 8 J x 18 H2, RO 57
Part No. 987.362.137.00

Rear: 9 J x 18 H2, RO 43
Part No. 987.362.139.00



18-inch Boxster S II wheel

Front: 8 J x 18 H2, RO 57
Part No. 987.362.137.01

Rear: 9 J x 18 H2, RO 43
Part No. 987.362.139.01



18-inch Cayman S II wheel

Front: 8 J x 19 H2, R0 57
Part No. 997.362.157.00/01

Rear: 9.5 J x 19 H2, R0 46
Part No. 997.362.159.05



19-inch Carrera S II wheel

Front: 8 J x 19 H2, R0 57
Part No. 997.362.156.04

Rear: 9.5 J x 19 H2, R0 46
Part No. 997.362.158.07



19-inch SportDesign wheel

Front: 8 J x 19 H2, RO 57
Part No. 997.362.156.03

Rear: 9.5 J x 19 H2, RO 46
Part No. 997.362.158.06



19-inch Carrera Classic wheel

Front: 8 J x 19 H2, RO 57
Part No. 997.362.156.02

Rear: 9,5 J x 19 H2, RO 46
Part No. 997.362.158.08



19-inch Turbo wheel

Front: 8 J x 19 H2, RO 57
Part No. 997.362.157.02

Rear: 9,5 J x 19 H2, RO 46
Part No. 997.362.159.06



19-inch Turbo II wheel

Front: 8.5 J x 19 H2, RO 55
Part No. 997.362.156.55

Rear: 10 J x 19 H2, RO 42
Part No. 997.362.160.50



19-inch Carrera Sport wheel

Front: 8.5 J x 19 H2, RO 55
Part No. 997.362.157.06

Rear: 10 J x 19 H2, RO 42
Part No. 997.362.161.01



19-inch Cayman R wheel



Information

Improper handling can damage the wheel surface.

Carry out tire removal and mounting using a bead holding-down device only.

Use a leather pad on the rim flange to support the valve insertion tool.

Only use the Porsche centering clamping set for balancing.

Do not use brushes to clean the wheels because brushes can cause deep scratches that cannot be removed by polishing.

Never use solvents or other chemical substances on tires.

Wheel
mounting:

Tightening torque for silver wheel bolts (up to model year 2011): 130 Nm

Tightening torque for silver wheel bolts (from model year 2012): 160 Nm

Tightening torque for black wheel bolts: 160 Nm

Navigation
system:

After a wheel or tire change, the full locating accuracy is attained only after a trip of approx. 50 km (30 miles), if possible on a motorway and at a speed > 60 km/h (40 mph). Furthermore, high wheel slip factor (e.g. wheel spin) can result in temporary incorrect positioning.

TPM Tire
Pressure
Monitoring
system

New wheels must be equipped with wheel transmitters for the Tire Pressure Monitoring system.

Check battery charge status of wheel transmitters before changing tires.

Switch off ignition when changing a wheel.

If the properties of the new tires do not correspond to the settings in the on-board computer, a message is displayed.

After changing a wheel, the settings in the on-board computer need to be updated.

Wheel Storage: • Tires must be stored in a cool, dry and dark room with adequate ventilation.

- Tires must never come into contact with fuel, oil, grease or chemicals.
- Do not store summer tires in storage areas with ambient temperatures of less than 5° F (-15° C).
- Complete wheel & tire assemblies can be stacked for storage; we recommend that you increase the tire pressure by approximately 6 psi (0.4 bar).
- Optimum conditions for storage of the complete wheels are provided by the Original Porsche storage trolley, Part No. 000.044.000.38.
- If the tires are not mounted on wheels, it is best to store them in a vertical position.
- We recommend that you turn tires stored in this position every two weeks in order to prevent flat spots.
- Tires that are stacked in a horizontal position will become severely deformed and cannot be seated properly in the rim flange when they are mounted.

General
Information:

- Always use new valves when changing tires.
- Always observe any possible instructions concerning the rolling direction and/or specifying which side the tires must be mounted on.
- Coat the tire beads and humps with mounting lubricant before mounting the tire. This ensures that the tire beads will slide over the humps easily.
- In order to prevent the tire from turning on the wheel, avoid extreme driving maneuvers (acceleration and braking) during the first 100 to 200 miles with new or recently mounted tires.
- In order to optimize smoothness of rolling, it is appropriate - and necessary in individual cases - to mount the tire in a certain (favorable) position with respect to the wheel (matching).

Matching (uncontrolled and controlled) is explained below: Uncontrolled matching:

- Turning the tire on the wheel by 90° or 120° if necessary in order to achieve an acceptable value with regard to rolling smoothness (true running, imbalance and weight distribution of balance weights).

Controlled matching:

- With a balancing machine with matching program. In most cases, this produces an even better result with regard to the rolling smoothness (true running, imbalance and weight distribution of the balance weights) than can be achieved with uncontrolled matching.
- Maximum permissible radial runout and lateral runout of the wheels < 0.7 mm. Maximum permissible radial runout and lateral runout of the wheels with tires < 1.25 mm. Values < 1.50 mm - ideally approx. 0.5 mm - are desirable.
- The mounting pressure (seating pressure) of 58 psi/4.0 bar overpressure must not be exceeded before both tire beads are evenly seated on the rim flange.

New Tires (Replacements):

- If new tires are to be mounted or the tires of one axle are to be replaced, tires of the same make, type and with the same specification code must always be used on each of the two axles.
- If tires are replaced on one axle only, the different tread depth from that on the other axle can cause a noticeable change in the familiar handling.
- This is especially the case if new tires are mounted on the rear axle.
- This effect decreases with increasing tire mileage.

When replacing a tire on an axle, make sure that the tread depth of the new tire does not differ from that of the other tire on the same axle by more than 30 %.

Refer to WM 449503 for specific details of the vehicle you are working on.

- >The 2mm specification will be given here.
- > If there is none listed then the default is 30%.

Repairs to Tires:

- If a tire is damaged and it cannot be determined with absolute certainty that there is no ply damage - with all of its consequences - or if the tire was thermally or mechanically overloaded due to a loss of pressure or other prior damage, we recommend replacement of the tire in question for safety reasons.
- Repairs to "V", "W", "Y", and "ZR" tires are not permissible, as is the use of inner tubes in tubeless tires.

Tire Aging:

- Tires age due to chemical and physical processes, which can impair their function.
- Tires that are stored unused for an extended period harden and become brittle faster than tires that are in continual use.
- Hairline aging cracks can occur on older tires.
- On tires in continual use, the kneading action activates the plasticizer in the rubber and thereby prevents hardening and cracking.
- Therefore, attention should be paid not only to the tread depth but also to the age of the tire.
- Tires should not be older than 6 years.
- The age of the tire can be determined via the DOT code on the sidewall, which indicates the production date of the tire: e.g. DOT 2201 = 22nd week of 2001.

Important Notice: Technical Bulletins issued by Porsche Cars North America, Inc. are intended only for use by professional automotive technicians who have attended Porsche service training courses. They are written to inform those technicians of conditions that may occur on some Porsche vehicles, or to provide information that could assist in the proper servicing of a vehicle. Porsche special tools may be necessary in order to perform certain operations identified in these bulletins. Use of tools and procedures other than those Porsche recommends in these bulletins may be detrimental to the safe operation of your vehicle, and may endanger the people working on it. Properly trained Porsche technicians have the equipment, tools, safety instructions, and know-how to do the job properly and safely. Part numbers listed in these bulletins are for reference only. The work procedures updated electronically in the Porsche PIWIS diagnostic and testing device take precedence and, in the event of a discrepancy, the work procedures in the PIWIS Tester are the ones that must be followed.

© 2021 Porsche Cars North America, Inc.