

# Special Bulletin

# SP21-309

Date	Expiration	Release	Page
09.2021	09.2023	1	1(8)

First Release .

09-07-2021

## SNOW CHAIN SYSTEM – LOOSE FITTINGS

Prevost vehicles

### DESCRIPTION

On the vehicles involved, perform the following corrective measures.

### MODEL YEAR(S) AND VEHICLES INVOLVED

<b>NOTICE TO SERVICE CENTERS</b>		
<i>Verify vehicle eligibility by checking warranty bulletin status with <b>SAP</b> or via <b>ONLINE WARRANTY SYSTEM</b> available on Service / Warranty tab of Prevost website.</i>		
<b>Model</b>	<b>VIN</b>	
X3-45 Commuter Model Year: 2021	4RKJ33492M9737751	4RKJ33497M9737809
	4RKJ33498M9737768	4RKJ33493M9737810
	4RKJ3349XM9737769	4RKJ33495M9737811
	4RKJ33496M9737770	4RKJ33497M9737812
	4RKJ33498M9737771	4RKJ33499M9737813
	4RKJ3349XM9737772	4RKJ33490M9737814
	4RKJ33491M9737773	4RKJ33492M9737815
	4RKJ33493M9737774	4RKJ33494M9737816
	4RKJ33495M9737775	4RKJ33496M9737817
	4RKJ33497M9737776	4RKJ33498M9737818
	4RKJ33499M9737777	4RKJ3349XM9737819
	4RKJ33490M9737778	4RKJ33496M9737820
	4RKJ33492M9737779	4RKJ33498M9737821
	4RKJ33499M9737780	4RKJ3349XM9737822
	4RKJ33490M9737781	4RKJ33491M9737823
	4RKJ33492M9737782	4RKJ33493M9737824
	4RKJ33494M9737783	4RKJ33495M9737825
	4RKJ33496M9737784	4RKJ33497M9737826
	4RKJ33498M9737785	4RKJ33499M9737827
	4RKJ3349XM9737786	4RKJ33490M9737828
4RKJ33491M9737787	4RKJ33492M9737829	
4RKJ33493M9737788	4RKJ33499M9737830	
4RKJ33495M9737789	4RKJ33490M9737831	
4RKJ33491M9737790	4RKJ33492M9737832	
4RKJ33493M9737791	4RKJ33494M9737833	
4RKJ33495M9737792	4RKJ33496M9737834	

# Special Bulletin

# SP21-309

	Date	Expiration	Release	Page
	09.2021	09.2023	1	2(8)
	4RKJ33497M9737793	4RKJ33498M9737835		
	4RKJ33499M9737794	4RKJ3349XM9737836		
	4RKJ33490M9737795	4RKJ33491M9737837		
	4RKJ33492M9737796	4RKJ33493M9737838		
	4RKJ33494M9737797	4RKJ33495M9737839		
	4RKJ33496M9737798	4RKJ33491M9737840		
	4RKJ33498M9737799	4RKJ33493M9737841		
	4RKJ33490M9737800	4RKJ33495M9737842		
	4RKJ33492M9737801	4RKJ33497M9737843		
	4RKJ33494M9737802	4RKJ33499M9737844		
	4RKJ33496M9737803	4RKJ33490M9737845		
	4RKJ33498M9737804	4RKJ33492M9737846		
	4RKJ3349XM9737805	4RKJ33495M9737856		
	4RKJ33491M9737806	4RKJ33490M9737859		
	4RKJ33493M9737807	4RKJ33491M9737871		
	4RKJ33495M9737808	4RKJ33493M9737872		
<b>This bulletin does not necessarily apply to all the above-mentioned vehicles, some vehicles may have been modified before delivery.</b>				

## MATERIAL NEEDED

Order the following parts:

Part No.	Description	Qty
501159	FITTING A 90 SW 1/4PMX#6JM	4
507033	WASHER, BOUND SEAL	4

Other parts that may be required:





Part No.	Description
680098	LOCTITE 567 THREAD SEALANT

### **NOTE**

*Material can be obtained through regular channels.*

## REQUIRED TOOLS

Date            Expiration            Release            Page  
09.2021            09.2023            1            3(8)

<p><b>METRIC OPEN END WRENCH SET</b></p> 	<p><b>CURVED JAW VISE PLIERS</b></p> 
<p><b>RATCHET AND SOCKET SET – SAE</b></p> 	<p><b>TORQUE WRENCH AND METRIC SOCKET SET</b></p> 

Date	Expiration	Release	Page
09.2021	09.2023	1	4(8)

## PROCEDURE

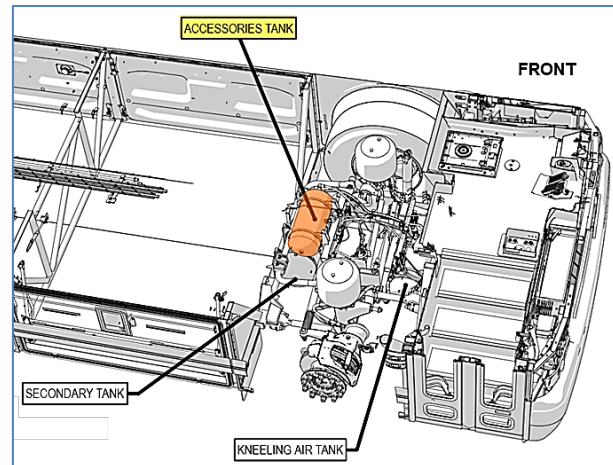


### DANGER

Park vehicle safely, apply parking brake, stop the engine. Prior to working on the vehicle, set the ignition switch to the OFF position and trip the main circuit breakers equipped with a trip button. On Commuter type vehicles, set the battery master switch (master cut-out) to the OFF position.

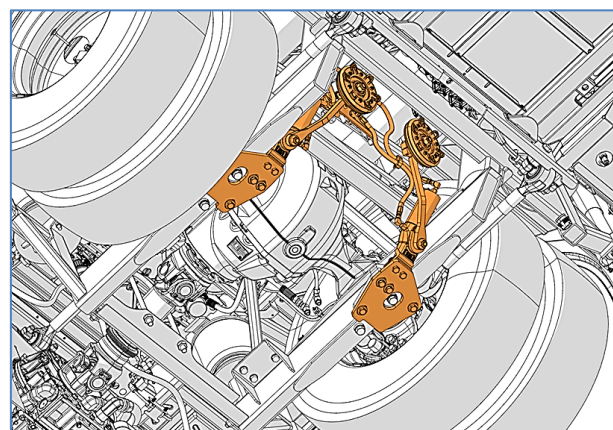
Lockout & Tag out (LOTO) must be performed during set-up, maintenance or repair activities. Refer to your local procedure for detailed information regarding the control of hazardous energy.

1. Drain the accessory air tank. It is equipped with a drain cock underneath the tank. Drain tank by turning cock counterclockwise.



**FIGURE 1: ACCESSORY AIR TANK FOUND ABOVE THE SECONDARY AIR TANK JUST BEHIND THE FRONT AXLE**

2. Locate the snow chain system on the inner side of the drive axle wheels.



**FIGURE 2**

3. Identify the two hoses shown on the image for later reinstallation. Add a label for the CYLINDER CAP hose and another label for the CYLINDER SIDE hose.
4. Disconnect the two pneumatic hoses from the 90° fittings shown.
5. Do the same on the other cylinder.

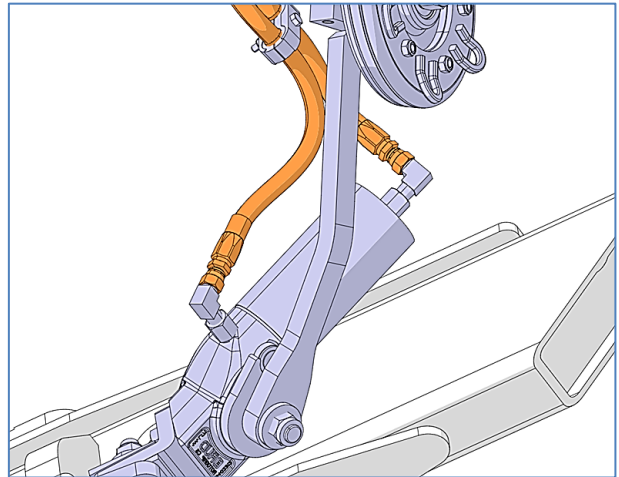


FIGURE 3

### CURB SIDE CYLINDER

6. Remove both restriction fittings along with washer and the 90° fitting.

#### Restriction 0.9 mm

**Warning:** size is specific to curb side restriction fittings and is identified with a groove!

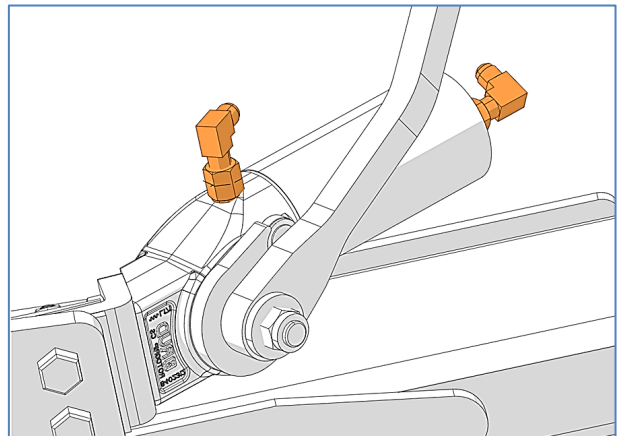
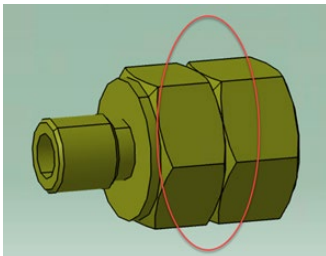


FIGURE 4

## CURB SIDE CYLINDER

7. On both fitting assemblies, replace the existing 90° fitting with the new 90° fitting 501159.

**Apply Loctite 567 Thread sealant on the NPT threads**

**Tighten by hand first then add 1 ½ turn**

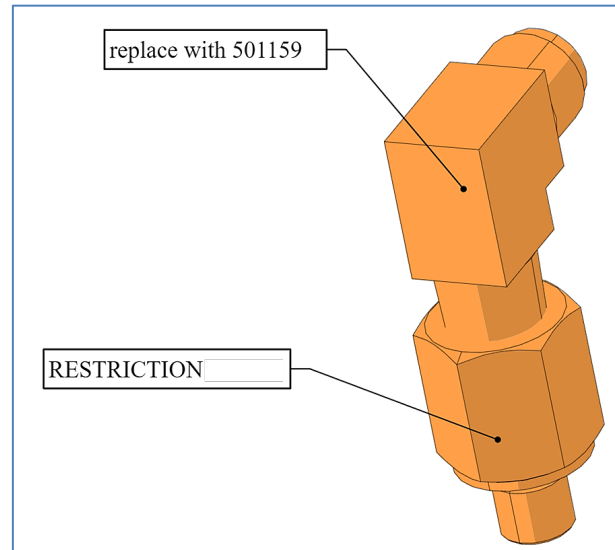


Figure 5

## CURB SIDE CYLINDER

8. Reinstall the new fitting assemblies on the cylinder along with new washer 507033.

**tighten fittings to 16 lbf-ft**

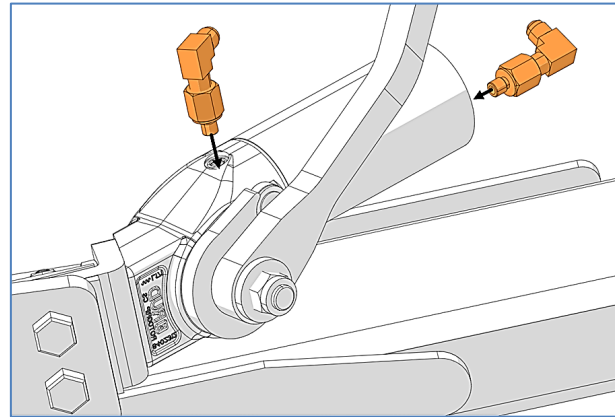


Figure 6

9. While holding the cylinder end cap with curved jaw vise pliers, tighten the fitting to 16 lbf-ft.

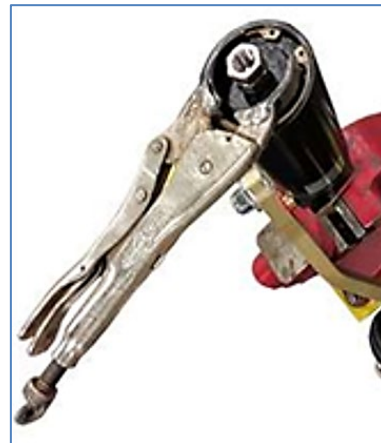


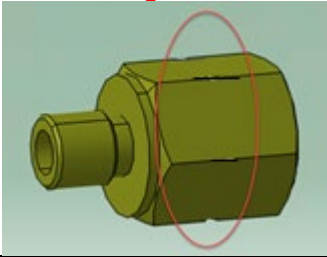
Figure 7

## STREET SIDE CYLINDER

10. Repeat steps 6-9 for the street side cylinder.

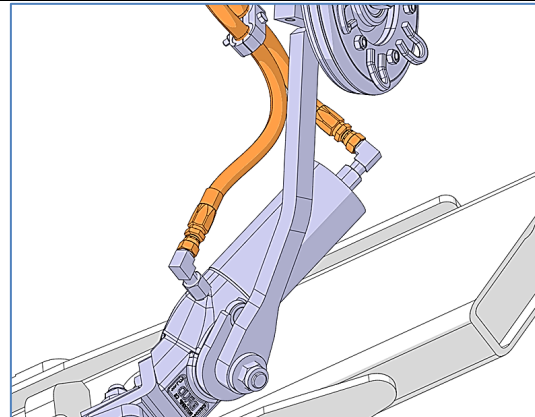
Restriction 0.6 mm

***Warning:*** NO groove on street side restriction fittings

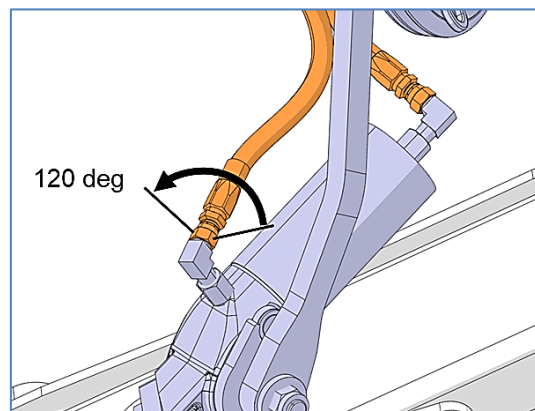


11. Reinstall the hoses on both cylinders. Tighten the fitting using two open end wrench.

**Tighten by hand first then add 120° turn**



**FIGURE 8**



**Figure 9**

12. Start the vehicle and allow the Accessory system to reach normal pressure. Check for air leaks using soapy water.

# Special Bulletin

# SP21-309

Date	Expiration	Release	Page
09.2021	09.2023	1	8(8)

## PARTS / WASTE DISPOSAL

Discard waste according to applicable environmental regulations (Municipal/State [Prov.]/ Federal)

## ESTIMATED TIME

The time required to perform this special bulletin is approximately 1/2 hour.

## OTHER

VBC Bulletin	N/A
Fail Code	12.00
Defect Code	09
Syst. Cond	B
Causal Part	501695

Access all our Service Bulletins on  
<http://techpub.prevestcar.com/en/>  
or scan the QR-Code with your smart phone.



Prevest engages in a continuous program of testing and evaluating to provide the best possible product. Prevest, however, is not committed to, or liable for updating existing products.