

**September 15, 2021**

Version 2

**Emissions Recall: 2020 Accord Hybrid Fuel Tank**Supersedes 21-076, dated September 07,2020, to revise the information highlighted in **yellow**.**AFFECTED VEHICLES**

Year	Model	Trim	VIN Range
2020	Accord Hybrid	ALL	Check the iN VIN status for eligibility.

**REVISION SUMMARY****Under PARTS INFORMATION, Information was added for fuel tank storage.****BACKGROUND**

During the manufacturing of certain fuel tanks, a protective layer was not properly applied. An improperly manufactured fuel tank may cause the release of air pollutants at levels that exceed state and federal standards.

**CUSTOMER NOTIFICATION**

Owners of all identified vehicles will be sent a notification of this campaign.

Do an iN VIN status inquiry to make sure the vehicle is shown as eligible.

Some vehicles affected by this campaign may be in your new or used vehicle inventory.

Failure to repair a vehicle subject to a recall or campaign may subject your dealership to claims or lawsuits from the customer or anyone else harmed as a result of such failure. Before selling a vehicle in inventory, always check if it is affected by a safety recall by conducting a VIN status inquiry.

**CORRECTIVE ACTION**

Replace the fuel tank.

**PARTS INFORMATION**

Part Name	Part Name	Quantity
Fuel Tank	17044-TWA-A02	1
Self-Lock Nut	90212-SA5-003	3
Exhaust Pipe Gasket	18302-SP0-003	1

**For dealers experiencing a strong fuel smell from storage of the fuel tank replaced under this service bulletin, the fuel tank may be disposed of immediately in accordance with local regulations. This only applies to the fuel tank replaced under this bulletin. The published retention policy remains in effect for all other parts. If you have any questions about this exception or other parts retention issues, contact the WPI Administrative Office at 937-642-2737.**

**CUSTOMER INFORMATION:** The information in this bulletin is intended for use only by skilled technicians who have the proper tools, equipment, and training to correctly and safely maintain your vehicle. These procedures should not be attempted by "do-it-yourselfers," and you should not assume this bulletin applies to your vehicle, or that your vehicle has the condition described. To determine whether this information applies, contact an authorized Honda automobile dealer.

## TOOL INFORMATION

Tool Name	Tool Number
Lock Ring Wrench	070AA-TLA0100

## WARRANTY CLAIM INFORMATION

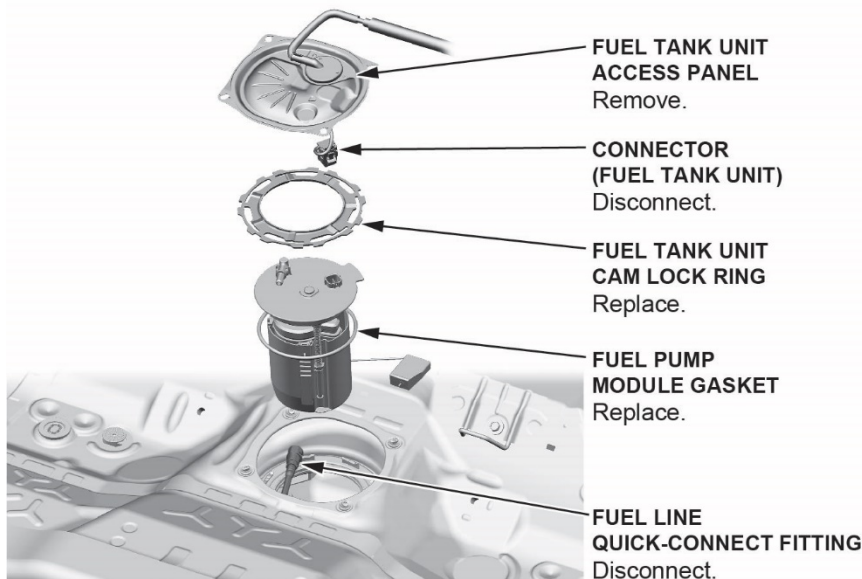
Operation Number	Description	Flat Rate Time	Defect Code	Symptom Code	Template ID	Failed Part Number
3101HT	Replace the fuel tank. (Includes VSA sensor neutral learn).	2.1 hr	6VH00	GBF00	A21076A	17044-TWA-A02

Skill Level: Repair Technician

## REPAIR PROCEDURE

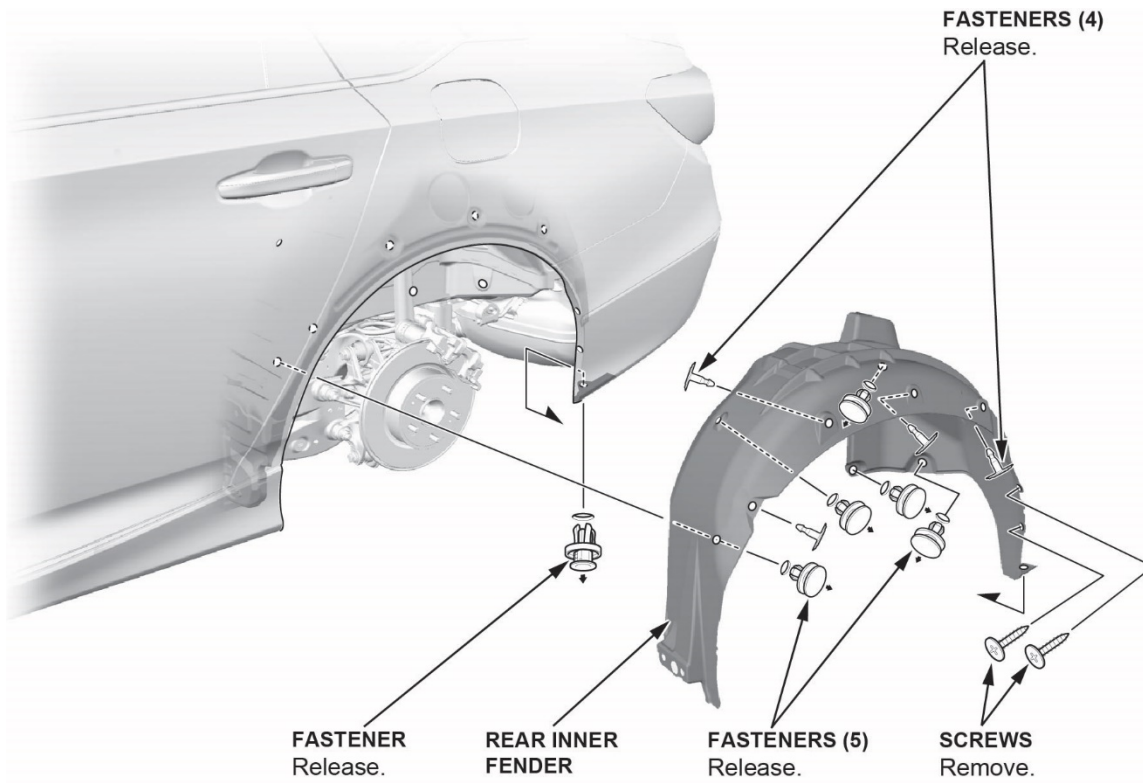
NOTE: The following service information procedures have been used in full or in part within this service bulletin. For more detail on these procedures and torque specifications for some components, refer to the service information.

1. Relieve the fuel pressure.
2. Remove the rear seat cushion.
3. Remove the fuel tank unit access panel

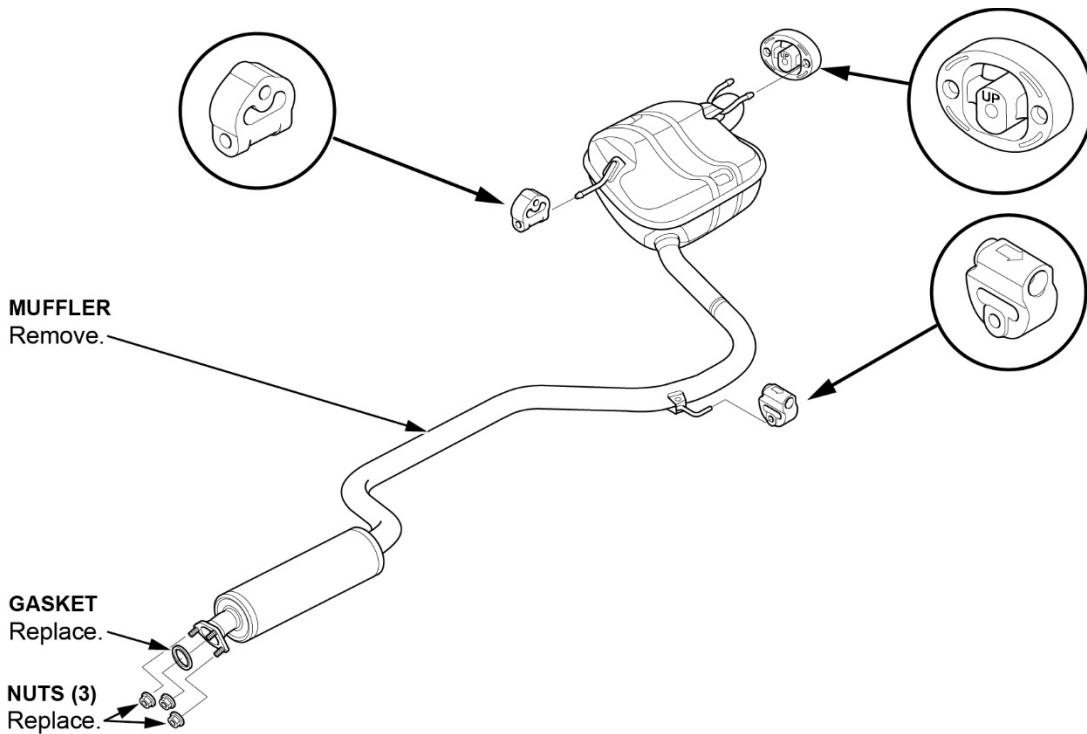


4. Disconnect the connector.
5. Disconnect the fuel line quick-connect fitting.
6. Unlock the fuel tank unit cam lock ring.
7. Remove the fuel tank unit.
8. Drain the fuel tank.
9. Remove the driver's side rear wheel.

10. For some models, remove the driver's side rear inner fender.



11. Remove the muffler.





- 17. Remove the fuel tank straps.
- 18. Remove the fuel tank assembly.
- 19. Install the new fuel tank.

NOTE: When installing the fuel tank, set the fuel tank and the fuel tank straps, and loosely install the bolts. Then tighten the bolts to the specified torque.

- 20. Install all parts in the reverse order of removal.
- 21. Do the VSA neutral learn.
- 22. California residents only: Fill out a Vehicle Emissions Recall – Proof of Correction certificate, and use UA5 as the recall number. Have the service advisor give the certificate to your customer, and advise him or her to keep it as proof that the recall was completed. Your customer will need to submit this certificate to the DMV only if the DMV requests it. If you need more certificates, use reorder number GBF00.

Vehicle Emission Recall - Proof of Correction				
License Number	Make	Year Model	Body Type	Vehicle Identification Number <div style="border: 1px solid black; display: flex; justify-content: space-between; height: 20px;"> <span></span><span></span><span></span><span></span><span></span><span></span><span></span><span></span><span></span><span></span><span></span><span></span><span></span><span></span><span></span><span></span><span></span><span></span><span></span><span></span><span></span><span></span> </div>
Manufacturer _____			Recall Number <b>GBF</b>	
The above described vehicle has been repaired, modified and/or equipped with new emission control devices to meet applicable California Emission Control Laws.				
Dealer's Name _____		Address, City, State and Zip _____		
Date _____	Dealership's Authorized Signature _____			
_____ X _____ Return this certificate to DMV only when required - otherwise retain for your records.				

Y0657 ACL 24832 (0212)

END