

2022 RX 350, RX 450h Pre-Delivery Service (PDS)

Service Category General

Section Pre-Delivery Service

Market USA

Toyota Supports
ASE Certification 

Applicability

YEAR(S)	MODEL(S)	ADDITIONAL INFORMATION
2022	RX350, RX450H	

Introduction

This bulletin contains the vehicle specific pre-delivery services for 2022 model year RX 350 and RX 450h vehicles. Additionally, refer to the applicable Pre-Delivery Service (PDS) Manual and Check Sheet for services to be performed.

Warranty Information

OP CODE	DESCRIPTION	TIME	OFF	T1	T2
N/A	Not Applicable to Warranty	–	–	–	–

Procedures

- [D/C Cut Fuse Installation](#) 2
- [Deletion of Vehicle Alert History](#) 3
- [Tire Pressure Warning System \(TPWS\) Initialization](#) 4
- [Memorize Steering Angle Neutral Point](#) 4
- [Intelligent Clearance Sonar System Calibration*](#) 4
- [Front Emergency Towing Eyelet Removal and Hole Cover Installation*](#) 5
- [Rear Left-hand Side Transport Hook Removal and Bolt Installation*](#) 6
- [Front License Plate and Mounting Bracket Installation*](#) 8
- [Installation of Rubber Body Plugs*](#) 10

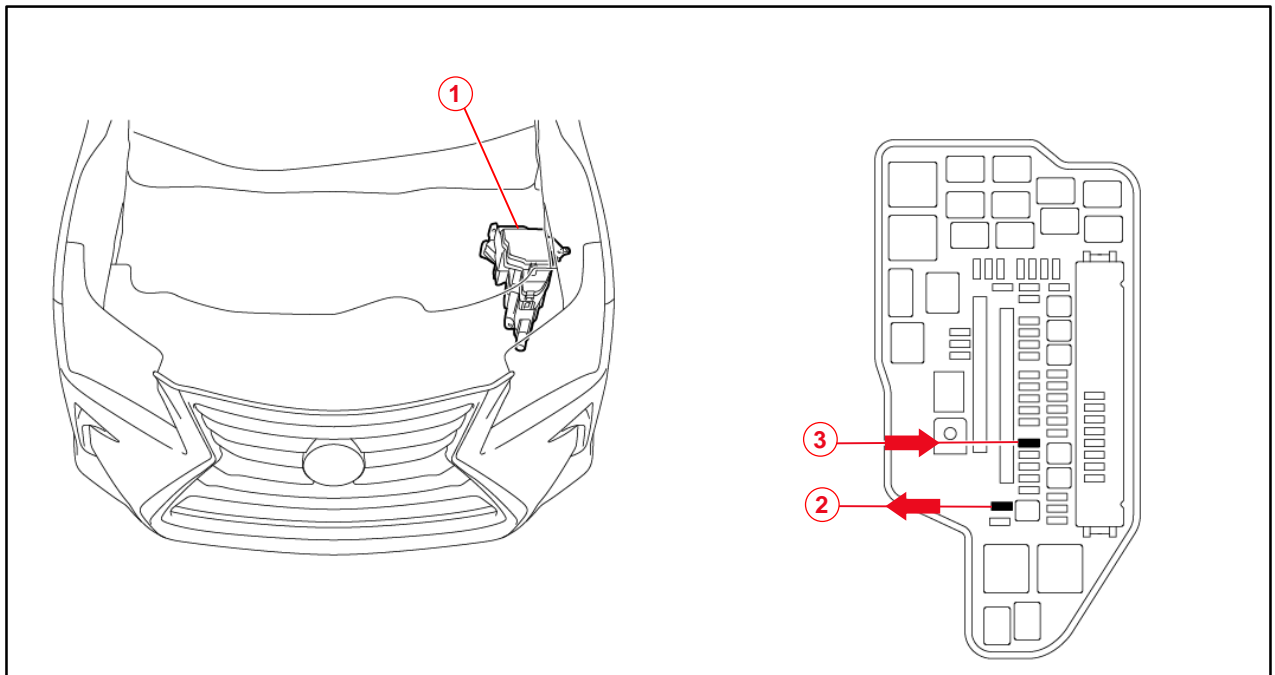
*If Applicable

2022 RX 350, RX 450h Pre-Delivery Service (PDS)

D/C Cut Fuse Installation

To minimize battery discharge during transportation and storage, the D/C cut fuse (10A) has been removed at the assembly plant and temporarily stored in the blank space of the relay block in the engine compartment. During PDS, reinstall the D/C cut fuse (10A) into its original location and clear ALL related Diagnostic Trouble Codes (DTCs).

Figure 1.



1	Relay Block
2	Remove D/C Cut Fuse (10A)

3	Install D/C Cut Fuse (10A) (Original Location)
----------	---

NOTE

While the vehicle is stored at the dealership, disconnect the negative (–) battery terminal to prevent battery discharge. Refer to [L-SB-0013-21](#), *Battery Maintenance During PDS*, for battery maintenance information.

2022 RX 350, RX 450h Pre-Delivery Service (PDS)

Deletion of Vehicle Alert History

As the D/C cut fuse is removed, the communication between the various ECUs is interrupted. When the D/C fuse is reinstalled, the communication status is restored, but Lexus Enform Service Connect may store malfunction history in the form of vehicle alert history. Therefore, it is necessary to operate the multi-display and delete the vehicle alert history AFTER installing the D/C cut fuse during PDS at the dealership.

Deletion Procedure

1. Turn the engine switch (power switch) to the ON position (ON mode).
2. Push the Menu switch on the remote touch device.
3. On the multi-display, enter the following menus: *Info – Vehicle Alert History*.
4. If there is vehicle alert history stored, perform the Delete History operation.

HINT

If there is no vehicle alert history stored, the system will display a message stating "There is no vehicle alert history."

5. When the vehicle alert history deletion confirmation screen is displayed, select Yes.

HINT

If there is no vehicle alert history stored, the system will display a message stating "There is no vehicle alert history."

6. Turn the engine switch (power switch) to the OFF position (OFF mode).

2022 RX 350, RX 450h Pre-Delivery Service (PDS)

Tire Pressure Warning System (TPWS) Initialization

Refer to the applicable Repair Manual for the TPWS initialization procedure ([RX 350](#) / [RX 450h](#)). Note the spare tire does NOT have a TPWS sensor.

NOTE

To adjust the tire pressure correctly when the outside temperature is significantly colder than shop temperature, perform a Health Check using Techstream and select the compensation tire pressure checkbox. Compensation pressures will display on the Health Check results screen. Adjust the tire pressure when the tires are cold.

Memorize Steering Angle Neutral Point

As a result of the removal of the D/C cut fuse, the power source to the steering angle sensor is cut off. When the D/C cut fuse is reinstalled, the parking assist monitor system will be operative, but it cannot display guidelines to assist parking operation because the center position recognized by the steering angle sensor may not be in an initial position. Therefore, perform steering angle neutral point initialization AFTER installing the D/C cut fuse during PDS.

Refer to the applicable Repair Manual for the steering angle neutral point initialization procedure ([RX 350](#) / [RX 450h](#)).

Intelligent Clearance Sonar System Calibration

As a result of the removal of the D/C cut fuse, the steering angle sensor power source is cut off. When the D/C cut fuse is reinstalled, the center position recognized by the steering angle sensor may not be the appropriate position. Therefore, it is necessary to perform intelligent clearance sonar system calibration AFTER installing the D/C cut fuse during PDS.

Refer to the applicable Repair Manual for the intelligent clearance sonar system calibration procedure:

- Driving Method ([RX 350](#) / [RX 450h](#)).
- Techstream Method ([RX 350](#) / [RX 450h](#)) (procedure 4).

2022 RX 350, RX 450h Pre-Delivery Service (PDS)

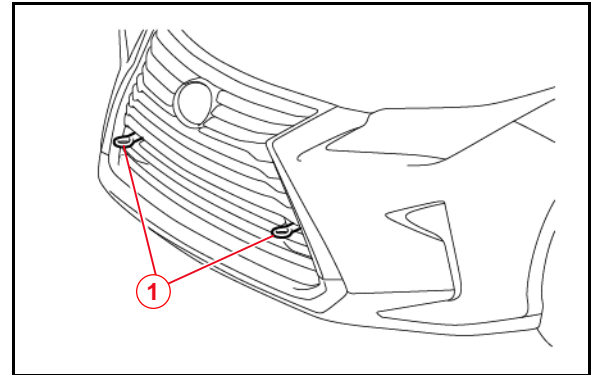
Front Emergency Towing Eyelet Removal and Hole Cover Installation

1. Remove the front emergency towing eyelets from the front bumper by turning them counterclockwise.

NOTE

- If it is difficult to loosen the front emergency towing eyelets, use a steel bar.
- Dispose of the removed two front emergency towing eyelets.

Figure 2.

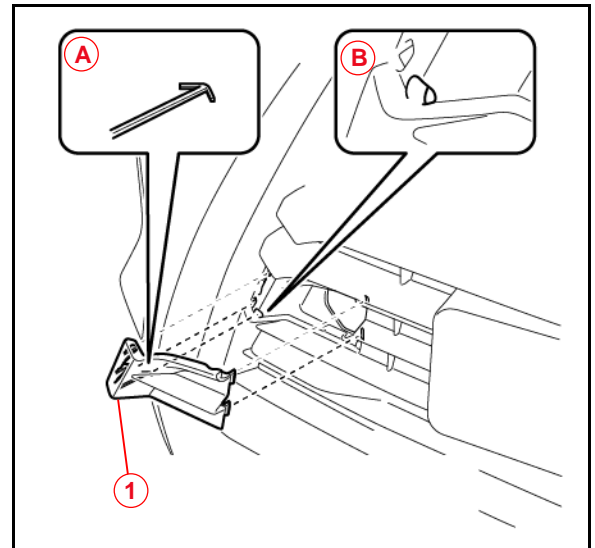


1	Front Emergency Towing Eyelet
----------	--------------------------------------

2. Install the two, front emergency towing eyelet hole covers, which are stored in the glove compartment, onto the radiator lower grille.

- A. Insert the arrow-shaped tab of the front emergency towing eyelet hole cover "A" into the eyelet hole tab "B" as shown.
- B. Install the front emergency towing eyelet hole cover to the hole in the radiator lower grille.

Figure 3.



A	Arrow-shaped Tab
B	Eyelet Hole Tab
1	Front Emergency Towing Eyelet Hole Cover

2022 RX 350, RX 450h Pre-Delivery Service (PDS)

Rear Left-hand Side Transport Hook Removal and Bolt Installation

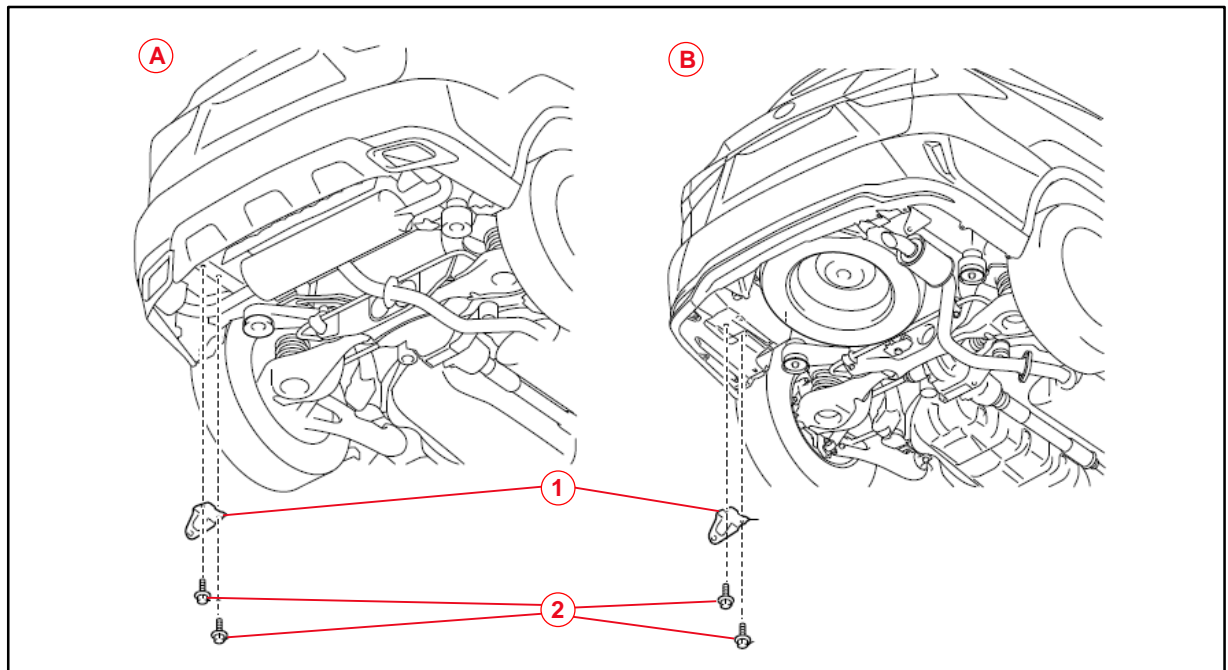
A rear transport hook is installed to tie down the vehicle when it is shipped from the assembly plant in Japan. Remove the rear left-hand side transport hook and reinstall the bolts.

1. Raise the vehicle.
2. Remove the two bolts and rear left-hand side transport hook.

NOTE

- Dispose of the removed rear transport hook.
- Do NOT remove the rear right-hand side transport hook.

Figure 4.



A	RX 350, RX 450h
1	Rear Left-hand Side Transport Hook

B	RX 350L, RX 450hL
2	Bolts

2022 RX 350, RX 450h Pre-Delivery Service (PDS)

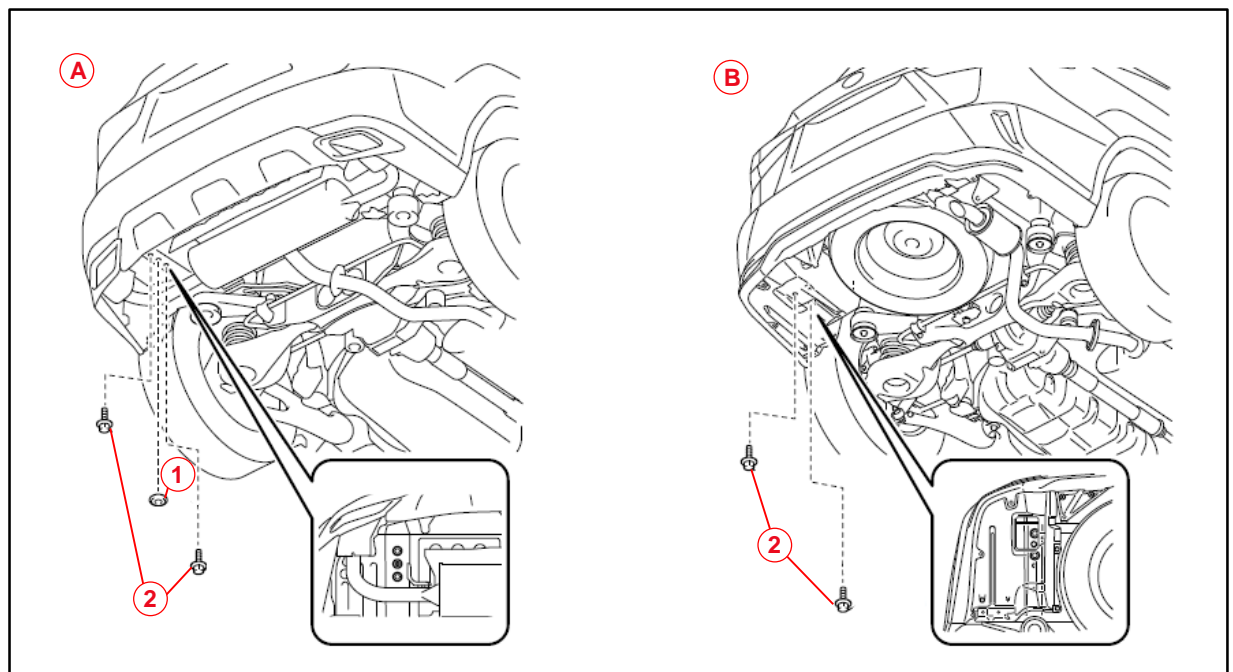
Rear Left-hand Side Transport Hook Removal and Bolt Installation (continued)

3. Re-tighten the two bolts to the same points where the rear transport hook was installed.
Torque: 30 N*m (306 kgf*cm, 22 ft.*lbf)
4. Apply a hole plug to the hole hidden by the rear transport hook.

NOTE

The hole plug is located in the glove box.

Figure 5.



A	RX 350, RX 450h
1	Hole Plug

B	RX 350L, RX 450hL
2	Bolts

5. Lower the vehicle safely.

2022 RX 350, RX 450h Pre-Delivery Service (PDS)

Front License Plate and Mounting Bracket Installation

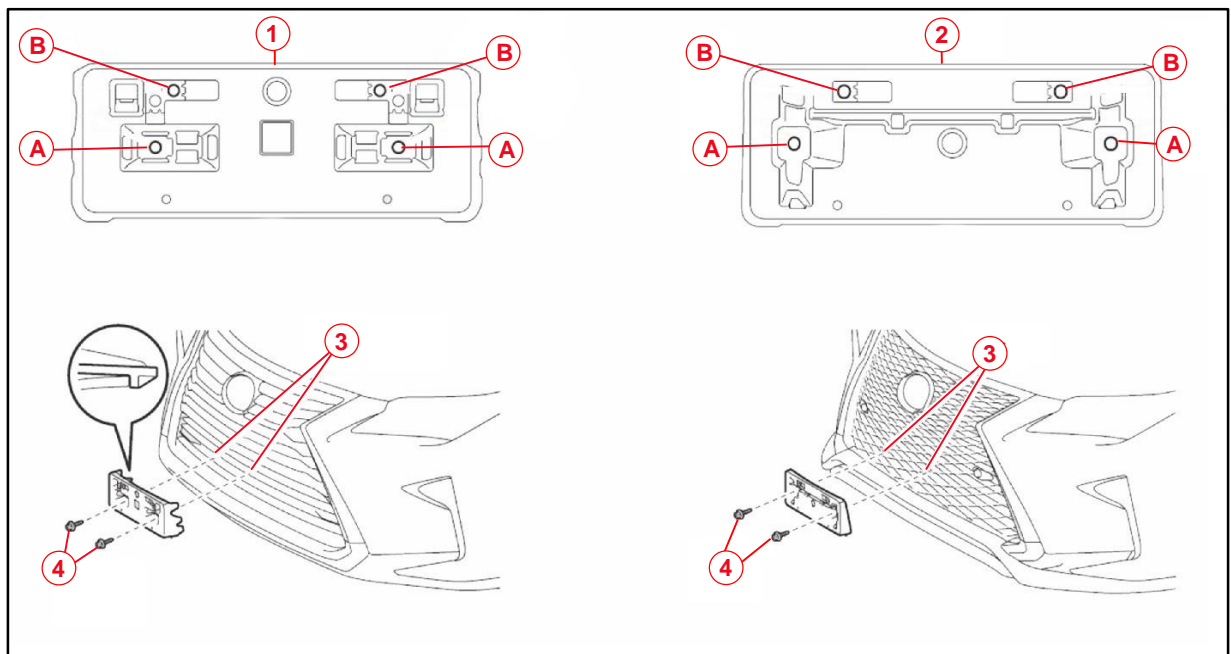
The front license plate mounting bracket and two self-tapping screws are stored in the rear cargo area of the vehicle. For states that require a front license plate, install the front license plate and mounting bracket during PDS.

- Align holes "A" of the mounting bracket with the dimples on the radiator lower grille.

NOTE

- Holes "A" are used for installation of the front license plate mounting bracket to the radiator lower grille.
- Holes "B" are used to install the license plate onto the mounting bracket.

Figure 6.



1	Mounting Bracket for Bar-type Radiator Grille
2	Mounting Bracket for Mesh-type Radiator Grille

3	Dimple
4	Self-tapping Screw

- Screw the two self-tapping screws directly into the dimples to install the front license plate mounting bracket.

NOTICE

- Do NOT pre-drill holes into the dimples on the front bumper cover.
- Do NOT overtighten the self-tapping screws.

2022 RX 350, RX 450h Pre-Delivery Service (PDS)

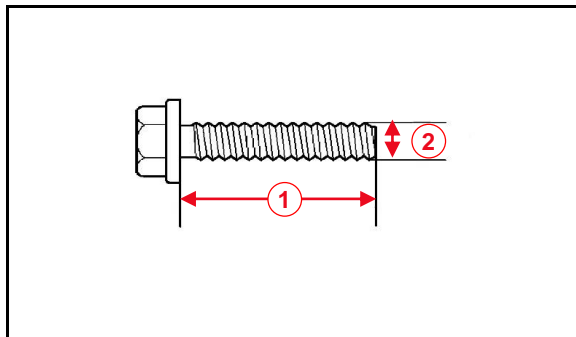
Front License Plate and Mounting Bracket Installation (continued)

- Install the front license plate onto the mounting bracket using two noncorroding bolts with the following dimensions:

Nominal Length: 15.0 mm (0.59 in.)

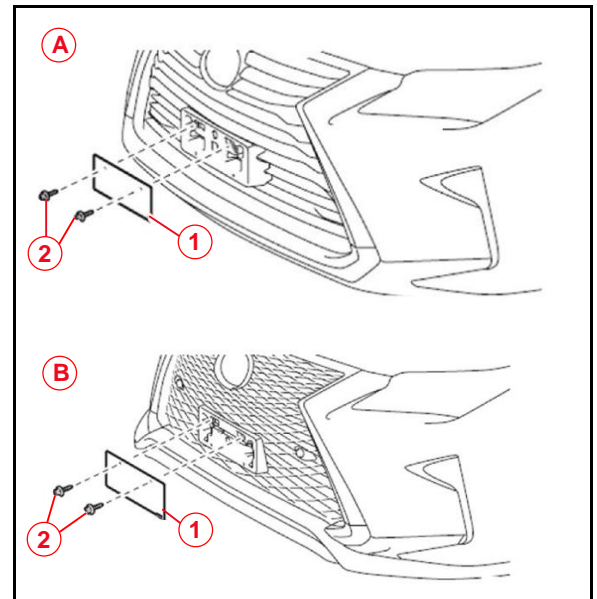
Diameter: 6.0 mm (0.24 in.)

Figure 7.



1	Nominal Length
2	Diameter

Figure 8.



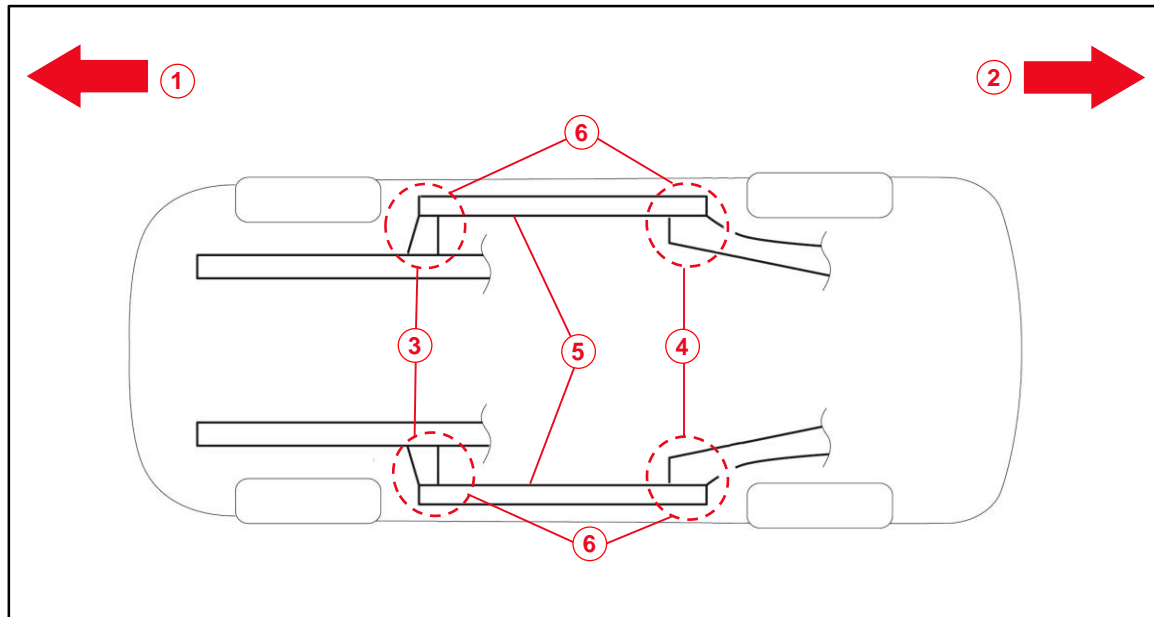
A	Vehicles Equipped With Bar-type Radiator Grille
B	Vehicles Equipped With Mesh-type Radiator Grille
1	Front License Plate
2	Bolt

2022 RX 350, RX 450h Pre-Delivery Service (PDS)

Installation of Rubber Body Plugs

1. Confirm the number of plugs in the glove box. If two plugs are present, perform substep 2A ONLY. If four plugs are present, perform substep 2A AND substep 2B.
2. Install plugs according the instructions below by confirming the number of plugs in the glove box.
 - A. Install two plugs in the rear side member hole or rocker inner hole (see below).
 - B. Install two plugs in the torque box hole or rocker inner hole (see below).

Figure 9.



1	Front Side
2	Rear Side
3	Torque Box Hole or Rocker Inner Hole
4	Rear Side Member Hole or Rocker Inner Hole
5	Rocker Inner
6	Install Plug Here (if Applicable)

NOTICE

- The installation of these plugs is required to prevent rust.
- These plugs are stored in the glove box.
- The number of plugs may vary according to production locations in the same vehicle model.