

Floor Mat Installation During Pre-Delivery Service (PDS)

Service Category General

Section Pre-Delivery Service

Market USA

Toyota Supports
ASE Certification 

Applicability

YEAR(S)	MODEL(S)	ADDITIONAL INFORMATION
2022	ES250, ES300H, ES350, GX460, IS300, IS350, LC500, LC500C, LC500H, LS500, LS500H, NX250, NX350, NX350H, NX450H+, RC F, RC300, RC350, RX350, RX450H, UX200, UX250H	

Introduction

2022 model year Lexus vehicles are equipped with driver side floor mat retaining hooks (clips) to secure the floor mat in the correct position. In addition, some models may also utilize retaining hooks (clips) for passenger side and rear seat floor mats. During Pre-Delivery Service (PDS), follow the Installation Procedure in this bulletin to attach the driver side, and if applicable, the passenger side and rear seat floor mats to the vehicle carpet using the floor mat retaining hooks (clips).

CAUTION

- **ALWAYS** verify the floor mat is designed specifically for the model and model year it is being installed in.
- **ONLY** use floor mats that can be secured using the retainers. **ALL** OEM Lexus floor mats are specifically designed to fit correctly and be secured using the retainers.
- **Make sure** the floor mat is properly placed on the vehicle carpet and secured with the retainers. If the driver side floor mat is **NOT** properly placed and secured, it could slip and interfere with the movement of the pedals during driving and may cause an accident.
- **Verify** the operation of the accelerator, brake, and clutch (if equipped) pedals and clearance to the mat.
- **NEVER** install more than one floor mat at a time in the driver's seating position.
- If applicable, **ANY** secondary set of floor mats (based upon customer preference, such as the all-weather floor mats or other floor mats) **MUST** be placed in the trunk with **ALL** the packaging material intact. Do **NOT** install the secondary mat on top of the primary floor mat already installed in the driver's seating position.

Floor Mat Installation During Pre-Delivery Service (PDS)

Warranty Information

OP CODE	DESCRIPTION	TIME	OFF	T1	T2
N/A	Not Applicable to Warranty	–	–	–	–

Installation Procedure

NOTICE

If the vehicle is equipped with two sets of floor mats (carpet and all weather):

- Do NOT install both sets of floor mats at the same time.
- Install one set according to the current season and store the other set in the luggage compartment.
- Discard the Floor Mat Safety Check insert for the installed set and keep the other with the spare floor mat set for the customer's reference.

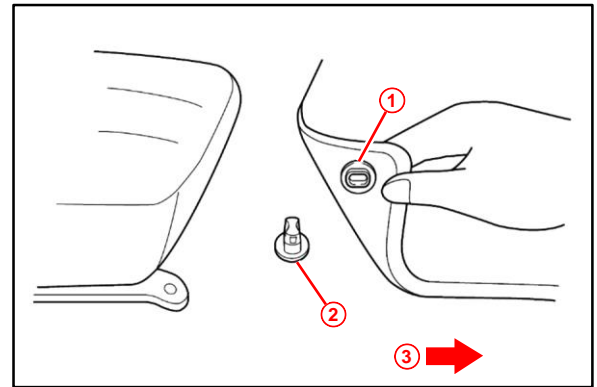
1. Verify that the driver, and if applicable, passenger side and rear seat floor mats are for the correct model and model year vehicle they are being installed in.

Floor Mat Installation During Pre-Delivery Service (PDS)

Installation Procedure (continued)

2. Insert the retaining hooks (clips) into the floor mat eyelets.

Figure 1.



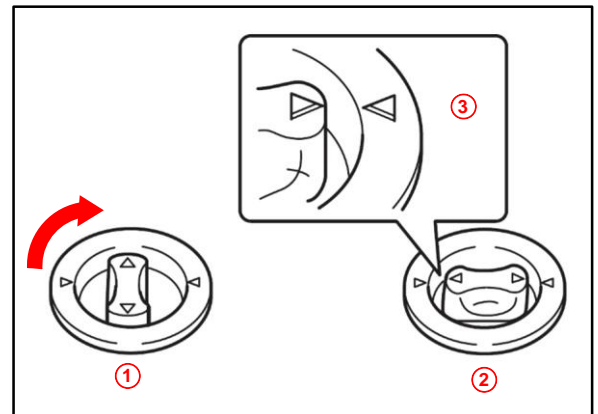
1	Retention Clip Eyelet on Floor Mat
2	Retention Clip
3	Front of Vehicle

3. Turn the upper knob of each retaining hook (clip) to secure the floor mats in place.

NOTE

- ALWAYS align the triangle marks.
- The shape of the retaining hooks (clips) may differ from that shown in the illustration.

Figure 2.



1	Twist Knob
2	Knob in Locked Position
3	Align Triangle Marks

Floor Mat Installation During Pre-Delivery Service (PDS)

Installation Procedure (continued)

- Verify proper installation.

NOTE

If applicable, do NOT remove the yellow caution tag from the floor mat. ONLY the customer should remove the caution tag.

Figure 3.

