

**AMA4 - Replacing or Repairing Engine (Stop Delivery/Recall Campaign)**

Revision: This bulletin replaces bulletin Group 1 63/21 AMA4, dated June 18, 2021.

Model Year: 2021

Vehicle Type: **718 Spyder (982) / 718 Boxster GTS 4.0 (982)**  
**718 Cayman GT4 (982) / 718 Cayman GTS 4.0 (982)**

- Equipment:
- **Engine type DWAA**
  - **Engine type DWAB**
  - **Engine type DWAC**
  - **Engine type DWAD**
  - **Engine type DKDA**
  - **Engine type DKDC**

Concerns: **Connecting rod bolts**

Information: **Connecting rods that were not manufactured according to specifications may have been installed in the engines of the affected vehicles. We cannot therefore rule out the possibility of the connecting rod bolts loosening over the service life of the vehicle.**

If this happens, you may hear noises from the crank drive while driving and the oil pressure warning in the instrument would come on. If the customer continues to drive the vehicle, however, oil can start leaking from the engine, and engine damage cannot be ruled out.

- Action required:
- Replacing engine
  - Replace vehicle-specific stickers showing the allocation of vehicle identification number to engine number



**Information**

Vehicles are assigned to one of **scopes 1–10 or 13–16**, depending on the vehicle type, vehicle equipment and engine type.

The scope that is clearly assigned to an affected vehicle is shown in the PCSS vehicle information for this campaign.

Overview: Overview of the sections of this Technical Information:

- **Replacing engine**

⇒ *Technical Information 'Required parts and materials - Replacing engine'*

⇒ *Technical Information 'Required tools - Replacing engine'*

- ⇒ Technical Information 'Preparatory work - Replacing engine'
- ⇒ Technical Information 'Replacing engine'
- ⇒ Technical Information 'Concluding work - Replacing engine'
- ⇒ Technical Information 'Warranty processing - Overview' (Scopes 1–10 and 13–16)

Affected vehicles: Only vehicles assigned to the campaign (see also PCSS Vehicle Information). This campaign affects 193 vehicles.

## Required parts and materials - Replacing engine



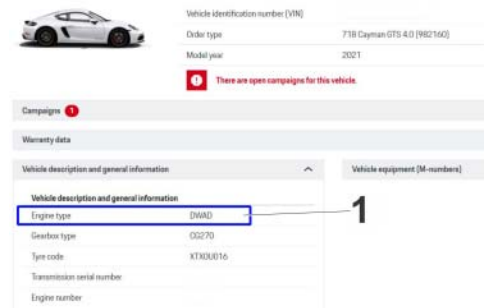
### Information

**Please always note:** For vehicles with 6-speed manual transmission (M-no. 480), two different engine types are valid.

The engine type installed in an affected vehicle depends on the production period and the corresponding market for which the relevant vehicle was ordered.

**Only the engine type identical to the engine to be replaced may be installed.**

The corresponding engine type of the relevant vehicle can be seen in the PCSS vehicle information ⇒ *PCSS vehicle information - 1* - and must be checked before ordering the new engine. In addition, the affected vehicles are clearly assigned to a scope that contains only the part number of the correct engine type as well as all other required parts.



PCSS vehicle information

Parts Info:

Part No.	Designation - Use	Qty.
V04015003J	⇒ Replacement engine ( <b>engine type DKD</b> ) - 718 Spyder/718 Cayman GT4 - with 6-speed manual transmission (M-no. 480, engine type DKDA)	1 ea.
<b>or</b>		

V04015003K	⇒ Replacement engine ( <b>engine type DWA</b> ) – 718 Spyder/718 Cayman GT4 – with 6-speed manual transmission (M-no. 480, engine type DWAA) – with Porsche Doppelkupplung (PDK) (M-no. 250, engine type DWAB)	1 ea.
<b>or</b>		
V04015003L	⇒ Replacement engine ( <b>engine type DKD</b> ) – 718 Boxster GTS 4.0/718 Cayman GTS 4.0 – with 6-speed manual transmission (M-no. 480, engine type DKDC)	1 ea.
<b>or</b>		
V04015003M	⇒ Replacement engine ( <b>engine type DWA</b> ) – 718 Boxster GTS 4.0/718 Cayman GTS 4.0 – with 6-speed manual transmission (M-no. 480, engine type DWAC) – with Porsche Doppelkupplung (PDK) (M-no. 250, engine type DWAD)	1 ea.

**Additional parts required for scopes 1–10:**

V04014001AJ	⇒ Thatcham stickers (3 ea.) – Vehicle-specific stickers showing the allocation of vehicle identification number to engine number	1 ea.
99907283701	⇒ Hexagon-head bolt, AM10 x 1.5 x 55-PA – Rear-axle transverse strut	2 ea.
99907284001	⇒ Hexagon-head bolt, M10 x 35 – Rear-axle strut to body	2 ea.
90037815901	⇒ Hexagon-head bolt, AM8 x 60 – Anti-roll bar to rear-axle carrier	4 ea.
PAF105234	⇒ Cheese head bolt with multiple-tooth head, M10 x 52 – Drive shaft to transmission flange	12 ea.
9A740735700	⇒ Plate – Drive shaft to transmission flange	6 ea.
90091000303	⇒ Hexagon nut, M8 – Exhaust flange	6 ea.
N 10769401	⇒ Spring band clamp, 13.5 x 8.4 – Differential pressure hose	2 ea.

PAF906651	⇒ Cheese head bolt with multiple-tooth head, M10 x 1 x 29 – Flywheel	10 ea.
9A700846400	⇒ External hexagon round-head bolt, BM12 x 1.5 x 55 – Transmission flange	6 ea.
90037824901	⇒ Hexagon-head bolt, AM10 x 55 – Transmission mount bracket to transmission housing	4 ea.
PAF008660	⇒ Hexagon nut, M10 – Engine carrier	3 ea.
99970765340	⇒ O-ring, 16.70 x 2.50N – Refrigerant line	1 ea.
99970755741	⇒ O-ring, 11.00 x 2.50NX – Refrigerant line	1 ea.

**Additional parts required – Vehicle-specific/equipment-specific:**

• **718 Spyder/718 Cayman GT4**

PAF007957	⇒ Hexagon self-clinching nut, M10 – Anti-roll bar to connecting link – <b>718 Spyder/718 Cayman GT4</b>	2 ea.
982251263B	⇒ Seal – Exhaust flange – <b>718 Spyder/718 Cayman GT4</b>	2 ea.
PAF909664	⇒ Hexagon collar nut, self-locking, M12 x 1.5 – Rear-axle camber and toe eccentric adjuster – <b>718 Spyder/718 Cayman GT4</b>	4 ea.
PAF009242	⇒ Multiple-tooth flange screw, BM8 x 19 – Clutch pressure plate – <b>6-speed manual gearbox (M-no. 480)</b>	6 ea.

**Additional parts required – Vehicle-specific/equipment-specific:**

• **718 Boxster GTS 4.0/718 Cayman GTS 4.0**

99908412309	⇒ Hexagon nut, M10 – Anti-roll bar to connecting link – <b>718 Boxster GTS 4.0/718 Cayman GTS 4.0</b>	2 ea.
-------------	---	-------

982251263B	⇒ Seal – Exhaust flange – <b>718 Boxster GTS 4.0/718 Cayman GTS 4.0</b>	2 ea.
99908444501	⇒ Lock nut, M12 x 1.5 – Rear-axle camber and toe eccentric adjuster – <b>718 Boxster GTS 4.0/718 Cayman GTS 4.0</b>	4 ea.
PAF009242	⇒ Multiple-tooth flange screw, BM8 x 19 – Clutch pressure plate – <b>6-speed manual gearbox (M-no. 480)</b>	6 ea.

Materials:

**Required materials** (usually already available at the Porsche dealer):

Part No.	Designation – Use	Qty.
00004330516	⇒ Antifreeze, 20 liter/ 5.28 gal container container – Cooling system	As much as required (approx. 2 liter/ 0.53 gal required per vehicle)
00004330539	⇒ Klüberplus Gel grease, 100 g/ 3.5 oz tube – O-rings, coolant hoses	As much as required (approx. 10 g/ 0.35 oz required per vehicle)
00004330508	⇒ Optimol Paste TA grease, 100 g/ 3.5 oz tube – Wheel centring surface to wheel hub	As much as required (approx. 10 g/ 0.35 oz required per vehicle)
<b>Other materials:</b> Clean, lint-free cloth Cleaning agent (e.g. isopropanol)		

**Required tools - Replacing engine**

Tools:

**Special tools:**

Designation/Comment	Use
<b>VAS 581 007 - Extraction unit for R1234yf</b> or suitable air-conditioning servicing unit for refrigerant R134a, e.g. <b>VAS 6381B - air-conditioning service station R134a</b>	Draining and filling refrigerant
<b>VAS 6096/2 Vacuum pump</b> <b>9696 - Filling device</b>	Draining/filling coolant and bleeding the cooling system
<b>VAS 6889 Spring Band Clamp Pliers</b>	
<b>VAS 6832 Master Gear unit elevating platform</b> <b>9454 - 9454 - Strapping belts</b> <b>9769 - 9769 - Retainer plate</b> <b>9769/1 - 9769/1 - Support</b> <b>9769/2 - 9769/2 - Support</b> <b>9822 - 9822 - Assembly tool</b> <b>VAS 6890 - Spring band clamp pliers</b> <b>VAS 6933 - Disassembly tool</b>	Removing and installing engine
<b>VAS 6100 - Workshop crane</b> <b>3033 - 3033 - Lifting tackle</b> <b>VAS 6123 - Tension belts</b> <b>VAS 6832/6 - Assembly fixture - Boxster</b> <b>VAS 6932 - Transport system</b> <b>VAS 6953 - Ring spanner insert, E18</b>	Removing and mounting transmission Removing and mounting double clutch transmission
<b>3176 - 3176 - Centring mandrel</b> <b>VAS 6766 - Counter-hold tool</b>	Removing and installing clutch
<b>T10172A - T10172A - Counter-hold tool</b> <b>9538/1 - 9538/1 - Toothed segment</b> <b>9538/2 - 9538/2 - Bracket</b>	Removing and installing flywheel Removing and installing flywheel DSG
<b>VAS 6942 - Torque/torque angle wrench, 20-400 Nm (15-296 ftlb.)</b>	
<b>VAS 6931 - Engine and gearbox jack</b> <b>V.A.G 1331/13 - Ring wrench insert, a/f 10</b>	Removing and installing transmission mount Removing and installing rear-axle cross member



**Preparatory work - Replacing engine**

Work Procedure: 1 Allocate the new engine to the vehicle and request vehicle-specific stickers and certificate.

**Information**

Given that the engines are being replaced, the vehicle-specific stickers showing the allocation of vehicle identification number to engine number must be replaced by updated stickers showing the allocation of vehicle identification number to the **new** engine number.

As the production of the vehicle-specific stickers at Porsche AG takes approx. **4 working days plus shipping**, the vehicle-specific stickers (Thatcham) specified below should be requested as soon as a new engine has been allocated to a certain vehicle:

Part No.	Designation	Qty.
V04014001AJ	Thatcham sticker (contains 3 ea.)	1 ea.

**To ensure that your request is processed quickly and efficiently, always use the following procedure when ordering the vehicle-specific stickers and certificate:**

The vehicle-specific stickers must be requested from Porsche AG through your contact person responsible for parts enquiries at Porsche Cars North America via PRMS ticket:

**PCNA\_Parts\_Support : Attn Joseph Boudreau**

As soon as the new engine has been received, inspected for any damages and allocated to the vehicle, send the following information and details via a PRMS ticket:

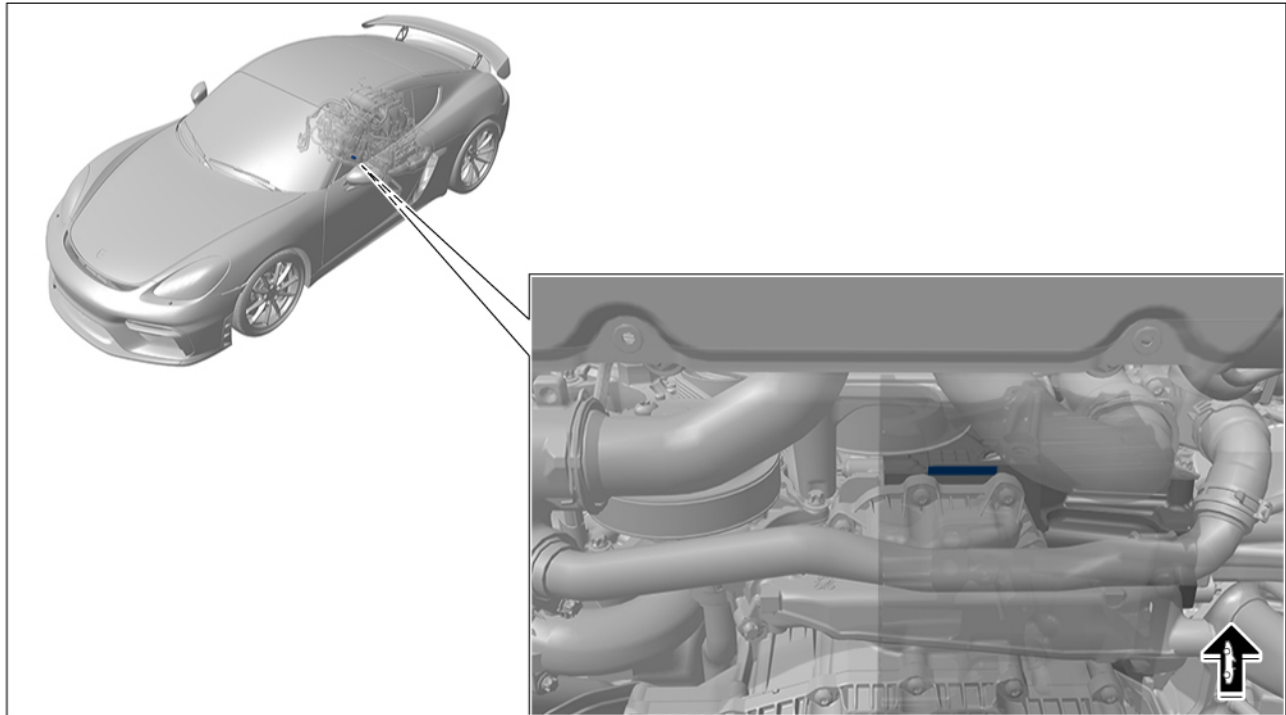
- **Vehicle identification number**
- **Exact mileage (km or miles) of the vehicle** (use last known mileage if vehicle is not yet available)
- **Engine number of the old engine** that was removed from the vehicle ((can be found within PCSS)
- **Engine number of the new engine**, which will be installed in the vehicle
- Order no. (630...)
- **Delivery address and name of the contact person at the Porsche dealer** to whom the documents must be sent
- Campaign name **AMA4 Recall campaign – Replacing engine**
- Picture of Vehicle-Ident-Number (**VIN**)
- Picture of engine number **new** engine

A certificate of engine replacement will be provided to customers separately by PCNA.



**Information**

The **engine number** is located on the crankcase towards the rear of the oil pan:

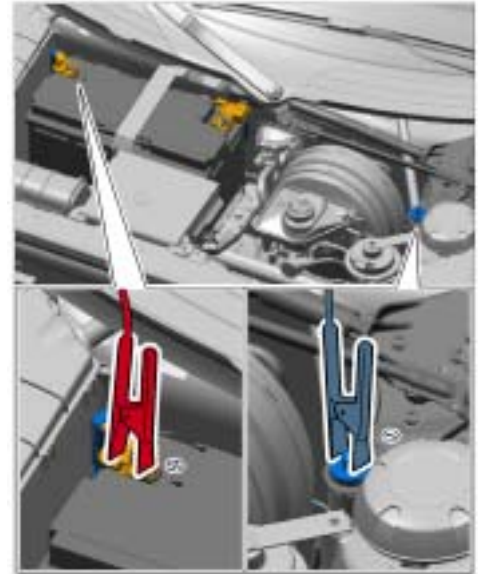


*Engine number on crankcase*

The engine number previously assigned to the VIN in the PAG systems is replaced with the new engine number in the PAG systems.

- 2 Before starting working on a vehicle, use the PIWIS Tester to read out the fault memories and create a Vehicle Analysis Log (VAL).  
Mark the vehicle analysis log you have just created with the attribute "Initial VAL" and after carrying out the campaign, return it using the PIWIS Tester.

- 2.1 Connect a battery charger with a current rating of **at least 40 A**, e.g. **Battery charger 90 A** to the jump-start terminals and switch it on ⇒ *External power connection*.
- 2.2 Switch on the ignition using the original vehicle key.  
For vehicles with "Porsche Entry & Drive", replace the control panel in the ignition lock with the original vehicle key, if necessary.
- 2.3 Connect **9900 - PIWIS Tester 3** to the vehicle communication module (VCI) via the **USB cable**. Then connect the communication module to the vehicle and switch on the PIWIS Tester.



*External power connection*

## Replacing engine



### Information

Please note that different preliminary and subsequent work is required, depending on the vehicle type and body shape.

For more information, refer to the relevant instructions in the Workshop Manuals.

- Work Procedure: 1 Drain engine oil from the engine to be replaced and from the oil filter on the engine to be replaced. Then install the completely empty oil filter and the previously used oil drain plugs back on the engine. For instructions, see:
- ⇒ *Workshop Manual '170117 Draining and filling engine oil'*
  - ⇒ *Workshop Manual '173055 Changing oil filter'*

### WARNING

#### Danger of objects or loads falling down

- Risk of squashing or crushing
- ⇒ Secure components to prevent them from falling down.

### NOTICE

#### Engine/transmission unit lowered or inserted incorrectly.

- Risk of damage to engine/transmission unit

- **Cables and coolant hoses can be stretched and torn**
- ⇒ **Gradually lower or raise the engine using a jack.**
- ⇒ **Always check that all necessary cables were disconnected when lowering the engine/transmission unit.**
- ⇒ **Make sure that no cables or hoses are damaged when installing the engine/transmission unit.**
- ⇒ **Get one or two more persons to help.**

- 2 Remove engine/transmission unit.  
For instructions on removing the engine/transmission unit, see ⇒ *Workshop Manual '100119 Removing and installing engine'*.



### Information

After opening the refrigerant line connections, close them off immediately using stoppers.

- 3 Remove transmission from the engine to be replaced and place it on a suitable surface.  
Make sure that the PDK transmission is not set down on the oil pan.  
For instructions for manual transmission, see: ⇒ *Workshop Manual '343527 Removing and mounting transmission'*.  
For instructions for the PDK transmission, see: ⇒ *Workshop Manual '373427 Removing and mounting Porsche Doppelkupplung (PDK)'*.
- 4 Remove peripheral parts, e.g. clutch or flywheel (depending on vehicle equipment) from the engine to be replaced.
  - 4.1 **On vehicles with manual transmission:** Remove clutch from the engine to be replaced.  
⇒ *Workshop Manual '305019 Removing and installing clutch'*
  - 4.2 Remove flywheel on the engine to be replaced.  
⇒ *Workshop Manual '136019 Removing and installing flywheel'*  
⇒ *Workshop Manual '136019 Removing and installing flywheel for double clutch transmission'*

- 5 Place the engine to be replaced on a suitable surface.

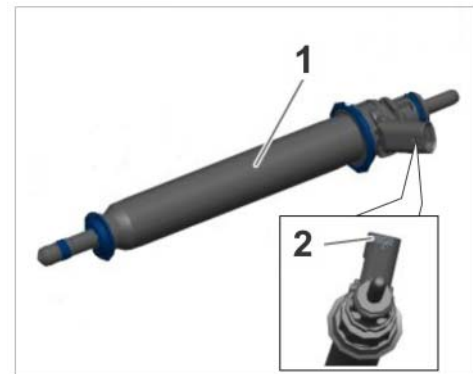


### Information

The engines to be replaced must be scrapped by certified scrapping companies in the market, if not requested back by Porsche.

- 6 Remove transport packaging on the new engine.
- 7 Lift new engine out of the transport packaging and position on the elevating platform.  
⇒ *Workshop Manual '10011N Tools for removing/installing: units and working on assembly support'*

- 8 Verify and document new engine number on the repair order.
- 9 Fit the previously removed peripheral parts to the new engine as described in the Workshop Manual.
  - 9.1 Fit the flywheel to the new engine using new fastening screws.  
⇒ *Workshop Manual '136019 Removing and installing flywheel'*  
⇒ *Workshop Manual '136019 Removing and installing flywheel for double clutch transmission'*
  - 9.2 **On vehicles with manual transmission:** Fit the clutch to the new engine using new fastening screws.  
⇒ *Workshop Manual '305019 Removing and installing clutch'*
- 10 Before installing the engine/transmission unit, read off and note down the **IMA values of the new fuel injectors**.  
To do this, remove the corresponding heat shield for ignition coils, then release and disconnect the plug connection on the injector.  
Finally, connect and lock the relevant plug connection again and install the corresponding heat shield for ignition coils.  
  
**The IMA value can be read off the injector ⇒  
Fuel injector: IMA value -1- at the position shown in the graphic ⇒ Fuel injector: IMA value -2- on the electric plug connection.**
- 11 Mount the transmission on the new engine using new fastening screws.  
For instructions for manual transmission, see: ⇒ *Workshop Manual '343527 Removing and mounting transmission'*.  
For instructions for the PDK transmission, see: ⇒ *Workshop Manual '373427 Removing and mounting Porsche Doppelkupplung (PDK)'*.
- 12 Install engine/transmission unit.  
For instructions on installing the engine/transmission unit, see ⇒ *Workshop Manual '100119 Removing and installing engine'*.
- 13 Perform on-board diagnosis using the PIWIS Tester.
  - 13.1 Assign the IMA values you wrote down earlier to the relevant cylinder under **Maintenance/repairs ⇒ Injectors ⇒ Install new injectors** on the **PIWIS Tester**.
  - 13.2 Read out the fault memory and check any existing fault memory entries ⇒ *Workshop Manual '033500 Fault memory for on-board diagnosis'*.
  - 13.3 Delete fault memory entries and return to the control unit selection screen.



Fuel injector: IMA value

- 13.4 Select the **DME control unit** in the control unit selection screen ('Overview' menu) and press •F12" ("Next") to confirm your selection.
- 13.5 Call up the '**Drive links/checks**' menu.
- 13.6 Select the '**Adaptations**' function and press •F12" ("Next") to confirm your selection.
- 13.7 Select **all** functions listed under 'Adaptations' **individually** and perform them **one after the other**.  
Then press •F12" ("Next") and •F11" ("Back") to return to the control unit selection screen.
- 13.8 Read out the engine-oil level using the PIWIS Tester and add engine oil if necessary ⇒ *Workshop Manual '170101 Checking engine-oil level'*.
- 13.9 Switch off ignition.
  
- 14 Perform suspension alignment and make adjustments.  
For instructions, see:  
⇒ *Workshop Manual '449503 Suspension alignment, complete'*  
⇒ *Workshop Manual '4495TW Adjustment values for suspension alignment'*
  
- 15 After correcting the wheel alignment values, carry out the following work.
  - 15.1 Calibrate steering-angle sensor ⇒ *Workshop Manual '456005 Initialising and calibrating PSM steering-angle sensor'*.
  - 15.2 Calibrating PASM
    - 15.2.1 Select the **PASM control unit** in the control unit selection screen ('Overview' menu) and press •F12" ('Next') to confirm your selection.
    - 15.2.2 Once the PASM control unit has been found and is displayed in the overview, select the '**Maintenance/repairs**' menu.
    - 15.2.3 Select 'Calibration' in the menu and press •F12" ('Next') to confirm. Follow the instructions on the PIWIS Tester and complete calibration.
  - 15.3 Teach steering lock settings for the power-steering gear ⇒ *Workshop Manual '489025 Power-steering gear: Teaching steering lock settings'*.
  - 15.4 If installed: Calibrate front camera ⇒ *Workshop Manual '963855 Replacing front camera'*.
  - 15.5 If installed: Calibrate control unit for distance measuring sensor (ACC sensor) ⇒ *Workshop Manual '278515 Adjusting control unit for distance measuring sensor'*.
  - 15.6 Adjust the headlights ⇒ *Workshop Manual '941516 Adjusting headlights'*.

## Concluding work - Replacing engine



### Information

Once the engine in the vehicle has been replaced, the stickers affixed to the vehicle showing the vehicle identification number and engine number must be replaced with updated stickers showing the engine number of the **newly installed engine**.

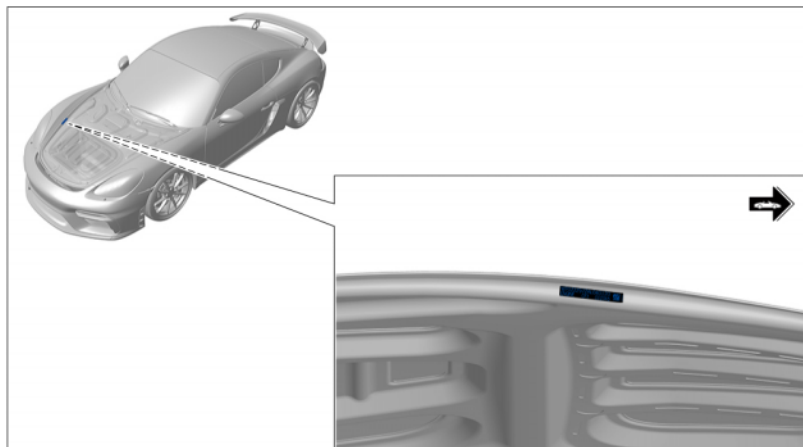
- 1 Affix new vehicle identification stickers over the stickers showing the allocation of vehicle identification number to engine number.

The stickers must be affixed at the following positions on the **right-hand side of the vehicle in direction of travel**:

- Lid, front right inside
- A-pillar, front right
- Lid, rear right inside (only for 718 Spyder: lid, top rear)

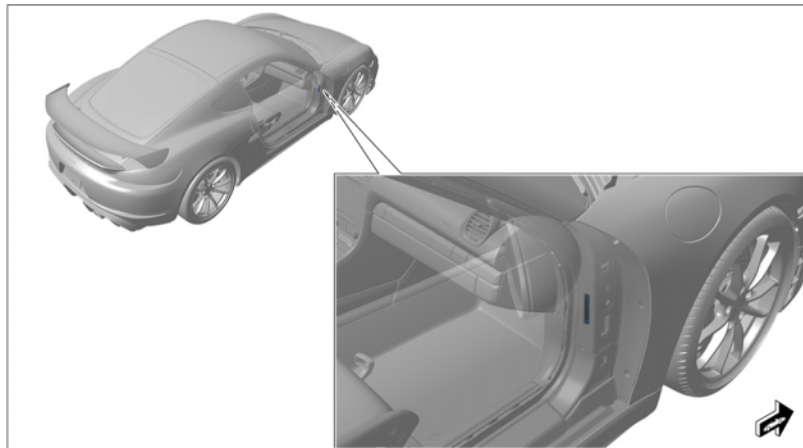
- 1.1 Check that the vehicle identification number and engine number shown on the **new** stickers match the vehicle identification number of the vehicle and the engine number of the **newly installed engine**.

- 1.2 Affix new sticker over existing sticker on **front lid**.



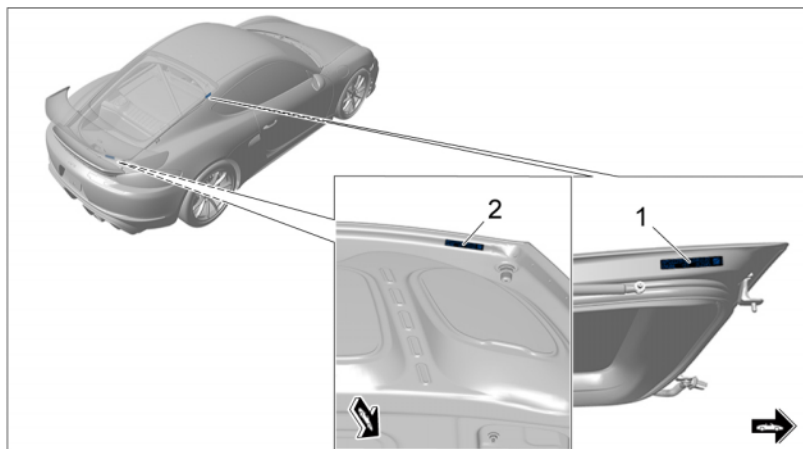
*Sticker on lid, front right*

- 1.2.1 Clean the sticker ⇒ *Sticker on lid, front right* affixed to the front lid using a suitable cleaning agent (e.g. isopropanol) and then rub it dry with a clean, lint-free cloth.
- 1.2.2 Affix a new sticker over the existing sticker in such a way that the existing sticker is **covered exactly** by the new sticker. When affixing the new sticker, make sure that the new sticker is affixed with the **same text alignment** as the existing sticker.
- 1.2.3 Close the front lid.
- 1.3 Affix new sticker over existing sticker on the **front right A-pillar**.



*Sticker on A-pillar, front right*

- 1.3.1 Open front right door.
- 1.3.2 Clean the sticker ⇒ *Sticker on A-pillar, front right* affixed to the A-pillar using a suitable cleaning agent (e.g. isopropanol) and then rub it dry with a clean, lint-free cloth.
- 1.3.3 Affix a new sticker over the existing sticker in such a way that the existing sticker is **covered exactly** by the new sticker. When affixing the new sticker, make sure that the new sticker is affixed with the **same text alignment** as the existing sticker.
- 1.3.4 Close front right door.
- 1.4 Affix new sticker over existing sticker on the **rear right lid**.



*Sticker on rear lid*

- 1.4.1 Open the luggage compartment lid.

- 1.4.2 Clean the sticker ⇒ *Sticker on rear lid* affixed to the side of the rear right side of the lid ⇒ *Sticker on rear lid-1-* (except 718 Spyder ⇒ *Sticker on rear lid-2-*) using a suitable cleaning agent (e.g. isopropanol) and then rub it dry with a clean, lint-free cloth.
  - 1.4.3 Affix a new sticker over the existing sticker in such a way that the existing sticker is **covered exactly** by the new sticker. When affixing the new sticker, make sure that the new sticker is affixed with the **same text alignment** as the existing sticker.
  - 1.4.4 Close the luggage compartment lid.
- 2 Carry out an extended test drive according to the criteria for a test drive during the sales check. Observe the following specifications during the extended test drive:
    - Only allow service advisors or workshop staff with the relevant qualification and experience (e.g. workshop managers) to test-drive the vehicle.
    - The vehicle should be driven for a distance of approx. **12 miles** with a **normal** driving profile.
    - **Do not exceed a maximum engine speed of 6,500 rpm.**
    - Check the vehicle for unusual handling behavior, vibrations and noise.

On vehicles with PDK transmission, also pay particular attention to the following points:

- Only drive with the selector lever in position "D".
  - **Do not drive in kickdown mode** in order to ensure that a maximum engine speed of 6,500 rpm is not exceeded.
- 3 After the test drive, let the vehicle cool down until the coolant temperature is max. 60 °C. Then check the coolant level and engine-oil level and add coolant or engine oil as required.
  - 4 Create vehicle analysis log (VAL) using the PIWIS Tester.  
Mark the vehicle analysis log you have just created with the attribute "Final VAL" and after carrying out the campaign, return it using the PIWIS Tester.
  - 5 Disconnect the PIWIS Tester from the vehicle.
  - 6 Switch off and disconnect the battery charger.
  - 7 Raise the vehicle on a lifting platform again and check the engine for leaks or other problems.
  - 8 Enter the campaign in the Warranty and Maintenance booklet.  
**-End of action required -**

For warranty processing, see Scopes 1–10 under ⇒ *Technical Information '941516 Warranty processing'*.

## Warranty processing - Overview

Overview:



### Information

The warranty processing section of this document is divided into the following sections:

- **Replacing engine:** Scope 1 – Scope 10 and Scope 13 – Scope 16



### Information

The specified working times were determined specifically for carrying out this campaign and include all required preparatory and concluding work.

The working times may differ from the working times published in the Labor Operation List in PIWIS.

- **Scope 1:** ⇒ *Technical Information '941516 Warranty processing - Replacing engine - Scope 1'*
- **Scope 2:** ⇒ *Technical Information '941516 Warranty processing - Replacing engine - Scope 2'*
- **Scope 3:** ⇒ *Technical Information '941516 Warranty processing - Replacing engine - Scope 3'*
- **Scope 4:** ⇒ *Technical Information '941516 Warranty processing - Replacing engine - Scope 4'*
- **Scope 5:** ⇒ *Technical Information '941516 Warranty processing - Replacing engine - Scope 5'*
- **Scope 6:** ⇒ *Technical Information '941516 Warranty processing - Replacing engine - Scope 6'*
- **Scope 7:** ⇒ *Technical Information '941516 Warranty processing - Replacing engine - Scope 7'*
- **Scope 8:** ⇒ *Technical Information '941516 Warranty processing - Replacing engine - Scope 8'*
- **Scope 9:** ⇒ *Technical Information '941516 Warranty processing - Replacing engine - Scope 9'*
- **Scope 10:** ⇒ *Technical Information '941516 Warranty processing - Replacing engine - Scope 10'*
- **Scope 13:** ⇒ *Technical Information '941516 Warranty processing - Replacing engine - Scope 13'*
- **Scope 14:** ⇒ *Technical Information '941516 Warranty processing - Replacing engine - Scope 14'*
- **Scope 15:** ⇒ *Technical Information '941516 Warranty processing - Replacing engine - Scope 15'*
- **Scope 16:** ⇒ *Technical Information '941516 Warranty processing - Replacing engine - Scope 16'*

## Warranty processing - Replacing engine - Scope 1

Scope 1:

### Replacing engine

- 718 Cayman GT4
- With 6-speed manual gearbox (M-no. 480)
- **Engine type DKDA**

**Working time:**

## Replacing engine

Labor time: **1567 TU**

Includes:

- Removing and installing engine/transmission unit
- Removing and mounting transmission
- Removing engine to be replaced and mounting new engine
- Removing peripheral parts on engine to be replaced and installing them on new engine
- Checking engine-oil level
- Connecting and disconnecting battery charger (several times)
- Connecting and disconnecting PIWIS Tester (several times)
- Performing on-board diagnosis using the PIWIS Tester
- Performing suspension alignment and adjusting the vehicle
- Calibrating steering-angle sensor and teaching limit stops
- Calibrating front camera (if installed)
- Replacing vehicle identification stickers
- Carrying out an extended test drive

**Required parts:**

V04015003J	Replacement engine (engine type DKDA) - 718 Cayman GT4 - with 6-speed manual transmission (M-no. 480)	1 ea.
V04014001AJ	Thatcham stickers	1 ea.
99907283701	Hexagon-head bolt, AM10 x 1.5 x 55-PA	2 ea.
99907284001	Hexagon-head bolt, M10 x 35	2 ea.
90037815901	Hexagon-head bolt AM8 x 60	4 ea.
PAF007957	Hexagon self-clinching nut, M10	2 ea.
PAF105234	Cheese head bolt with multiple-tooth head, M10 x 52	12 ea.
9A740735700	Plate	6 ea.
982251263B	Seal	2 ea.
90091000303	Hexagon nut, M8	6 ea.
N 10769401	Spring band clamp, 13.5 x 8.4	2 ea.
PAF009242	Multiple-tooth flange screw, BM8 x 19	6 ea.
PAF906651	Cheese head bolt with multiple-tooth head, M10 x 1 x 29	10 ea.
9A700846400	External hexagon round-head bolt, BM12 x 1.5 x 55	6 ea.

90037824901	Hexagon-head bolt, AM10 x 55	4 ea.
PAF008660	Hexagon nut, M10	3 ea.
99970765340	O-ring 16.70 x 2.50N	1 ea.
99970755741	O-ring 11.00 x 2.50NX	1 ea.
PAF909664	Hexagon collar nut, self-locking, M12 x 1.5	4 ea.
<b>Required materials:</b>		
00004330516	Antifreeze (20 liter/ 5.28 gal container)	0.1 ea. (= approx. 2 liter/ 0.53 gal)
00004330539	Klüberplus Gel grease (100 g/ 3.5 oz/ 3.53 oz tube)	0.1 ea. (= approx. 10 g/ 0.35 oz)
00004330508	Optimol Paste TA grease (100 g/ 3.5 oz/ 3.53 oz tube)	0.1 ea. (= approx. 10 g/ 0.35 oz)
⇒ <b>Damage Code AMA4 099 000 2</b>		

**Warranty processing - Replacing engine - Scope 2**

Scope 2: **Replacing engine**

- 718 Spyder
- With 6-speed manual gearbox (M-no. 480)
- **Engine type DKDA**

<b>Working time:</b>	
Replacing engine	Labor time: <b>1527 TU</b>
Includes:	<ul style="list-style-type: none"> <li>Removing and installing engine/transmission unit</li> <li>Removing and mounting transmission</li> <li>Removing engine to be replaced and mounting new engine</li> <li>Removing peripheral parts on engine to be replaced and installing them on new engine</li> <li>Checking engine-oil level</li> <li>Connecting and disconnecting battery charger (several times)</li> <li>Connecting and disconnecting PIWIS Tester (several times)</li> <li>Performing on-board diagnosis using the PIWIS Tester</li> <li>Performing suspension alignment and adjusting the vehicle</li> <li>Calibrating steering-angle sensor and teaching limit stops</li> <li>Calibrating front camera (if installed)</li> <li>Replacing vehicle identification stickers</li> </ul>

## Carrying out an extended test drive

**Required parts:**

V04015003J	Replacement engine (engine type DKDA) - 718 Spyder - with 6-speed manual transmission (M-no. 480)	1 ea.
V04014001AJ	Thatcham stickers	1 ea.
99907283701	Hexagon-head bolt, AM10 x 1.5 x 55-PA	2 ea.
99907284001	Hexagon-head bolt, M10 x 35	2 ea.
90037815901	Hexagon-head bolt AM8 x 60	4 ea.
PAF007957	Hexagon self-clinching nut, M10	2 ea.
PAF105234	Cheese head bolt with multiple-tooth head, M10 x 52	12 ea.
9A740735700	Plate	6 ea.
982251263B	Seal	2 ea.
90091000303	Hexagon nut, M8	6 ea.
N 10769401	Spring band clamp, 13.5 x 8.4	2 ea.
PAF009242	Multiple-tooth flange screw, BM8 x 19	6 ea.
PAF906651	Cheese head bolt with multiple-tooth head, M10 x 1 x 29	10 ea.
9A700846400	External hexagon round-head bolt, BM12 x 1.5 x 55	6 ea.
90037824901	Hexagon-head bolt, AM10 x 55	4 ea.
PAF008660	Hexagon nut, M10	3 ea.
99970765340	O-ring 16.70 x 2.50N	1 ea.
99970755741	O-ring 11.00 x 2.50NX	1 ea.
PAF909664	Hexagon collar nut, self-locking, M12 x 1.5	4 ea.

**Required materials:**

00004330516	Antifreeze (20 liter/ 5.28 gal container)	0.1 ea. (= approx. 2 liter/ 0.53 gal)
00004330539	Klüberplus Gel grease (100 g/ 3.5 oz/ 3.53 oz tube)	0.1 ea. (= approx. 10 g/ 0.35 oz)
00004330508	Optimol Paste TA grease (100 g/ 3.5 oz/ 3.53 oz tube)	0.1 ea. (= approx. 10 g/ 0.35 oz)

⇒ Damage Code AMA4 099 000 2

**Warranty processing - Replacing engine - Scope 3**

Scope 3: **Replacing engine**

- 718 Boxster GTS 4.0
- With 6-speed manual gearbox (M-no. 480)
- **Engine type DKDC**

**Working time:**

Replacing engine

Labor time: **1485 TU**

- Includes:
- Removing and installing engine/transmission unit
  - Removing and mounting transmission
  - Removing engine to be replaced and mounting new engine
  - Removing peripheral parts on engine to be replaced and installing them on new engine
  - Checking engine-oil level
  - Connecting and disconnecting battery charger (several times)
  - Connecting and disconnecting PIWIS Tester (several times)
  - Performing on-board diagnosis using the PIWIS Tester
  - Performing suspension alignment and adjusting the vehicle
  - Calibrating steering-angle sensor and teaching limit stops
  - Calibrating PASM
  - Calibrating front camera (if installed)
  - Replacing vehicle identification stickers
  - Carrying out an extended test drive

**Required parts:**

V04015003L	Replacement engine (engine type DKDC) - 718 Boxster GTS 4.0 - with 6-speed manual transmission (M-no. 480)	1 ea.
V04014001AJ	Thatcham stickers	1 ea.
99907283701	Hexagon-head bolt, AM10 x 1.5 x 55-PA	2 ea.
99907284001	Hexagon-head bolt, M10 x 35	2 ea.
90037815901	Hexagon-head bolt AM8 x 60	4 ea.
99908412309	Hexagon nut, M10	2 ea.
PAF105234	Cheese head bolt with multiple-tooth head, M10 x 52	12 ea.

9A740735700	Plate	6 ea.
982251263B	Seal	2 ea.
90091000303	Hexagon nut, M8	6 ea.
N 10769401	Spring band clamp, 13.5 x 8.4	2 ea.
PAF009242	Multiple-tooth flange screw, BM8 x 19	6 ea.
PAF906651	Cheese head bolt with multiple-tooth head, M10 x 1 x 29	10 ea.
9A700846400	External hexagon round-head bolt, BM12 x 1.5 x 55	6 ea.
90037824901	Hexagon-head bolt, AM10 x 55	4 ea.
PAF008660	Hexagon nut, M10	3 ea.
99970765340	O-ring 16.70 x 2.50N	1 ea.
99970755741	O-ring 11.00 x 2.50NX	1 ea.
99908444501	Lock nut, M12 x 1.5	4 ea.
<b>Required materials:</b>		
00004330516	Antifreeze (20 liter/ 5.28 gal container)	0.1 ea. (= approx. 2 liter/ 0.53 gal)
00004330539	Klüberplus Gel grease (100 g/ 3.5 oz/ 3.53 oz tube)	0.1 ea. (= approx. 10 g/ 0.35 oz)
00004330508	Optimol Paste TA grease (100 g/ 3.5 oz/ 3.53 oz tube)	0.1 ea. (= approx. 10 g/ 0.35 oz)
⇒ Damage Code AMA4 099 000 2		

### Warranty processing - Replacing engine - Scope 4

#### Scope 4: Replacing engine

- 718 Cayman GTS 4.0
- With 6-speed manual gearbox (M-no. 480)
- **Engine type DKDC**

**Working time:**

Replacing engine

Labor time: **1525 TU**

- Includes:
- Removing and installing engine/transmission unit
  - Removing and mounting transmission
  - Removing engine to be replaced and mounting new engine
  - Removing peripheral parts on engine to be replaced and installing them on new engine
  - Checking engine-oil level
  - Connecting and disconnecting battery charger (several times)
  - Connecting and disconnecting PIWIS Tester (several times)
  - Performing on-board diagnosis using the PIWIS Tester
  - Performing suspension alignment and adjusting the vehicle
  - Calibrating steering-angle sensor and teaching limit stops
  - Calibrating PASM
  - Calibrating front camera (if installed)
  - Replacing vehicle identification stickers
  - Carrying out an extended test drive

**Required parts:**

V04015003L	Replacement engine (engine type DKDC) - 718 Cayman GTS 4.0 - with 6-speed manual transmission (M-no. 480)	1 ea.
V04014001AJ	Thatcham stickers	1 ea.
99907283701	Hexagon-head bolt, AM10 x 1.5 x 55-PA	2 ea.
99907284001	Hexagon-head bolt, M10 x 35	2 ea.
90037815901	Hexagon-head bolt AM8 x 60	4 ea.
99908412309	Hexagon nut, M10	2 ea.
PAF105234	Cheese head bolt with multiple-tooth head, M10 x 52	12 ea.
9A740735700	Plate	6 ea.
982251263B	Seal	2 ea.
90091000303	Hexagon nut, M8	6 ea.
N 10769401	Spring band clamp, 13.5 x 8.4	2 ea.
PAF009242	Multiple-tooth flange screw, BM8 x 19	6 ea.
PAF906651	Cheese head bolt with multiple-tooth head, M10 x 1 x 29	10 ea.

9A700846400	External hexagon round-head bolt, BM12 x 1.5 x 55	6 ea.
90037824901	Hexagon-head bolt, AM10 x 55	4 ea.
PAF008660	Hexagon nut, M10	3 ea.
99970765340	O-ring 16.70 x 2.50N	1 ea.
99970755741	O-ring 11.00 x 2.50NX	1 ea.
99908444501	Lock nut, M12 x 1.5	4 ea.
<b>Required materials:</b>		
00004330516	Antifreeze (20 liter/ 5.28 gal container)	0.1 ea. (= approx. 2 liter/ 0.53 gal)
00004330539	Klüberplus Gel grease (100 g/ 3.5 oz/ 3.53 oz tube)	0.1 ea. (= approx. 10 g/ 0.35 oz)
00004330508	Optimol Paste TA grease (100 g/ 3.5 oz/ 3.53 oz tube)	0.1 ea. (= approx. 10 g/ 0.35 oz)
⇒ Damage Code AMA4 099 000 2		

### Warranty processing - Replacing engine - Scope 5

#### Scope 5: Replacing engine

- 718 Cayman GT4
- With Porsche Doppelkupplung (PDK) (M-no. 250)
- **Engine type DWAB**

#### Working time:

Replacing engine

Labor time: **1548 TU**

Includes:

- Removing and installing engine/transmission unit
- Removing and mounting transmission
- Removing engine to be replaced and mounting new engine
- Removing peripheral parts on engine to be replaced and installing them on new engine
- Checking engine-oil level
- Connecting and disconnecting battery charger (several times)
- Connecting and disconnecting PIWIS Tester (several times)
- Performing on-board diagnosis using the PIWIS Tester
- Performing suspension alignment and adjusting the vehicle
- Calibrating steering-angle sensor and teaching limit stops
- Calibrating front camera (if installed)

Replacing vehicle identification stickers  
 Carrying out an extended test drive

**Required parts:**

V04015003K	Replacement engine (engine type DWAB) - 718 Cayman GT4 - with Porsche Doppelkupplung (PDK) (M-no. 250)	1 ea.
V04014001AJ	Thatcham stickers	1 ea.
99907283701	Hexagon-head bolt, AM10 x 1.5 x 55-PA	2 ea.
99907284001	Hexagon-head bolt, M10 x 35	2 ea.
90037815901	Hexagon-head bolt AM8 x 60	4 ea.
PAF007957	Hexagon self-clinching nut, M10	2 ea.
PAF105234	Cheese head bolt with multiple-tooth head, M10 x 52	12 ea.
9A740735700	Plate	6 ea.
982251263B	Seal	2 ea.
90091000303	Hexagon nut, M8	6 ea.
N 10769401	Spring band clamp, 13.5 x 8.4	2 ea.
PAF906651	Cheese head bolt with multiple-tooth head, M10 x 1 x 29	10 ea.
9A700846400	External hexagon round-head bolt, BM12 x 1.5 x 55	6 ea.
90037824901	Hexagon-head bolt, AM10 x 55	4 ea.
PAF008660	Hexagon nut, M10	3 ea.
99970765340	O-ring 16.70 x 2.50N	1 ea.
99970755741	O-ring 11.00 x 2.50NX	1 ea.
PAF909664	Hexagon collar nut, self-locking, M12 x 1.5	4 ea.
<b>Required materials:</b>		
00004330516	Antifreeze (20 liter/ 5.28 gal container)	0.1 ea. (= approx. 2 liter/ 0.53 gal)
00004330539	Klüberplus Gel grease (100 g/ 3.5 oz/ 3.53 oz tube)	0.1 ea. (= approx. 10 g/ 0.35 oz)

00004330508	Optimol Paste TA grease (100 g/ 3.5 oz/ 3.53 oz tube)	0.1 ea. (= approx. 10 g/ 0.35 oz)
-------------	---	--------------------------------------

⇒ Damage Code AMA4 099 000 2

## Warranty processing - Replacing engine - Scope 6

Scope 6: **Replacing engine**

- 718 Spyder
- With Porsche Doppelkupplung (PDK) (M-no. 250)
- **Engine type DWAB**

### Working time:

Replacing engine

Labor time: **1508 TU**

Includes:

- Removing and installing engine/transmission unit
- Removing and mounting transmission
- Removing engine to be replaced and mounting new engine
- Removing peripheral parts on engine to be replaced and installing them on new engine
- Checking engine-oil level
- Connecting and disconnecting battery charger (several times)
- Connecting and disconnecting PIWIS Tester (several times)
- Performing on-board diagnosis using the PIWIS Tester
- Performing suspension alignment and adjusting the vehicle
- Calibrating steering-angle sensor and teaching limit stops
- Calibrating front camera (if installed)
- Replacing vehicle identification stickers
- Carrying out an extended test drive

### Required parts:

V04015003K	Replacement engine (engine type DWAB) - 718 Spyder - with Porsche Doppelkupplung (PDK) (M-no. 250)	1 ea.
V04014001AJ	Thatcham stickers	1 ea.
99907283701	Hexagon-head bolt, AM10 x 1.5 x 55-PA	2 ea.
99907284001	Hexagon-head bolt, M10 x 35	2 ea.
90037815901	Hexagon-head bolt AM8 x 60	4 ea.
PAF007957	Hexagon self-clinching nut, M10	2 ea.

PAF105234	Cheese head bolt with multiple-tooth head, M10 x 52	12 ea.
9A740735700	Plate	6 ea.
982251263B	Seal	2 ea.
90091000303	Hexagon nut, M8	6 ea.
N 10769401	Spring band clamp, 13.5 x 8.4	2 ea.
PAF906651	Cheese head bolt with multiple-tooth head, M10 x 1 x 29	10 ea.
9A700846400	External hexagon round-head bolt, BM12 x 1.5 x 55	6 ea.
90037824901	Hexagon-head bolt, AM10 x 55	4 ea.
PAF008660	Hexagon nut, M10	3 ea.
99970765340	O-ring 16.70 x 2.50N	1 ea.
99970755741	O-ring 11.00 x 2.50NX	1 ea.
PAF909664	Hexagon collar nut, self-locking, M12 x 1.5	4 ea.
<b>Required materials:</b>		
00004330516	Antifreeze (20 liter/ 5.28 gal container)	0.1 ea. (= approx. 2 liter/ 0.53 gal)
00004330539	Klüberplus Gel grease (100 g/ 3.5 oz/ 3.53 oz tube)	0.1 ea. (= approx. 10 g/ 0.35 oz)
00004330508	Optimol Paste TA grease (100 g/ 3.5 oz/ 3.53 oz tube)	0.1 ea. (= approx. 10 g/ 0.35 oz)
⇒ <b>Damage Code AMA4 099 000 2</b>		

**Warranty processing - Replacing engine - Scope 7**

Scope 7: **Replacing engine**

- 718 Boxster GTS 4.0
- With Porsche Doppelkupplung (PDK) (M-no. 250)
- **Engine type DWAD**

**Working time:**

## Replacing engine

Labor time: **1466 TU**

Includes:

- Removing and installing engine/transmission unit
- Removing and mounting transmission
- Removing engine to be replaced and mounting new engine
- Removing peripheral parts on engine to be replaced and installing them on new engine
- Checking engine-oil level
- Connecting and disconnecting battery charger (several times)
- Connecting and disconnecting PIWIS Tester (several times)
- Performing on-board diagnosis using the PIWIS Tester
- Performing suspension alignment and adjusting the vehicle
- Calibrating steering-angle sensor and teaching limit stops
- Calibrating PASM
- Calibrating front camera (if installed)
- Replacing vehicle identification stickers
- Carrying out an extended test drive

**Required parts:**

V04015003M	Replacement engine (engine type DWAD) - 718 Boxster GTS 4.0 - with Porsche Doppelkupplung (PDK) (M-no. 250)	1 ea.
V04014001AJ	Thatcham stickers	1 ea.
99907283701	Hexagon-head bolt, AM10 x 1.5 x 55-PA	2 ea.
99907284001	Hexagon-head bolt, M10 x 35	2 ea.
90037815901	Hexagon-head bolt AM8 x 60	4 ea.
99908412309	Hexagon nut, M10	2 ea.
PAF105234	Cheese head bolt with multiple-tooth head, M10 x 52	12 ea.
9A740735700	Plate	6 ea.
982251263B	Seal	2 ea.
90091000303	Hexagon nut, M8	6 ea.
N 10769401	Spring band clamp, 13.5 x 8.4	2 ea.
PAF906651	Cheese head bolt with multiple-tooth head, M10 x 1 x 29	10 ea.

9A700846400	External hexagon round-head bolt, BM12 x 1.5 x 55	6 ea.
90037824901	Hexagon-head bolt, AM10 x 55	4 ea.
PAF008660	Hexagon nut, M10	3 ea.
99970765340	O-ring 16.70 x 2.50N	1 ea.
99970755741	O-ring 11.00 x 2.50NX	1 ea.
99908444501	Lock nut, M12 x 1.5	4 ea.
<b>Required materials:</b>		
00004330516	Antifreeze (20 liter/ 5.28 gal container)	0.1 ea. (= approx. 2 liter/ 0.53 gal)
00004330539	Klüberplus Gel grease (100 g/ 3.5 oz/ 3.53 oz tube)	0.1 ea. (= approx. 10 g/ 0.35 oz)
00004330508	Optimol Paste TA grease (100 g/ 3.5 oz/ 3.53 oz tube)	0.1 ea. (= approx. 10 g/ 0.35 oz)
⇒ Damage Code AMA4 099 000 2		

**Warranty processing - Replacing engine - Scope 8**

Scope 8: **Replacing engine**

- 718 Cayman GTS 4.0
- With Porsche Doppelkupplung (PDK) (M-no. 250)
- **Engine type DWAD**

<b>Working time:</b>	
Replacing engine	Labor time: <b>1506 TU</b>
Includes:	<ul style="list-style-type: none"> <li>Removing and installing engine/transmission unit</li> <li>Removing and mounting transmission</li> <li>Removing engine to be replaced and mounting new engine</li> <li>Removing peripheral parts on engine to be replaced and installing them on new engine</li> <li>Checking engine-oil level</li> <li>Connecting and disconnecting battery charger (several times)</li> <li>Connecting and disconnecting PIWIS Tester (several times)</li> <li>Performing on-board diagnosis using the PIWIS Tester</li> <li>Performing suspension alignment and adjusting the vehicle</li> <li>Calibrating steering-angle sensor and teaching limit stops</li> <li>Calibrating PASM</li> </ul>

Calibrating front camera (if installed)  
Replacing vehicle identification stickers  
Carrying out an extended test drive

**Required parts:**

V04015003M	Replacement engine (engine type DWAD) - 718 Cayman GTS 4.0 - with Porsche Doppelkupplung (PDK) (M-no. 250)	1 ea.
V04014001AJ	Thatcham stickers	1 ea.
99907283701	Hexagon-head bolt, AM10 x 1.5 x 55-PA	2 ea.
99907284001	Hexagon-head bolt, M10 x 35	2 ea.
90037815901	Hexagon-head bolt AM8 x 60	4 ea.
99908412309	Hexagon nut, M10	2 ea.
PAF105234	Cheese head bolt with multiple-tooth head, M10 x 52	12 ea.
9A740735700	Plate	6 ea.
982251263B	Seal	2 ea.
90091000303	Hexagon nut, M8	6 ea.
N 10769401	Spring band clamp, 13.5 x 8.4	2 ea.
PAF906651	Cheese head bolt with multiple-tooth head, M10 x 1 x 29	10 ea.
9A700846400	External hexagon round-head bolt, BM12 x 1.5 x 55	6 ea.
90037824901	Hexagon-head bolt, AM10 x 55	4 ea.
PAF008660	Hexagon nut, M10	3 ea.
99970765340	O-ring 16.70 x 2.50N	1 ea.
99970755741	O-ring 11.00 x 2.50NX	1 ea.
99908444501	Lock nut, M12 x 1.5	4 ea.
<b>Required materials:</b>		
00004330516	Antifreeze (20 liter/ 5.28 gal container)	0.1 ea. (= approx. 2 liter/ 0.53 gal)
00004330539	Klüberplus Gel grease (100 g/ 3.5 oz/ 3.53 oz tube)	0.1 ea. (= approx. 10 g/ 0.35 oz)

00004330508	Optimol Paste TA grease (100 g/ 3.5 oz/ 3.53 oz tube)	0.1 ea. (= approx. 10 g/ 0.35 oz)
-------------	---	--------------------------------------

⇒ Damage Code AMA4 099 000 2

**Warranty processing - Replacing engine - Scope 9**

Scope 9: **Replacing engine**

- 718 Boxster GTS 4.0
- With Porsche Doppelkupplung (PDK) (M-no. 250)
- With adaptive cruise control (ACC) (M-no. 456)
- **Engine type DWAD**

**Working time:**

Replacing engine

Labor time: **1494 TU**

- Includes:
- Removing and installing engine/transmission unit
  - Removing and mounting transmission
  - Removing engine to be replaced and mounting new engine
  - Removing peripheral parts on engine to be replaced and installing them on new engine
  - Checking engine-oil level
  - Connecting and disconnecting battery charger (several times)
  - Connecting and disconnecting PIWIS Tester (several times)
  - Performing on-board diagnosis using the PIWIS Tester
  - Performing suspension alignment and adjusting the vehicle
  - Calibrating steering-angle sensor and teaching limit stops
  - Calibrating PASM
  - Calibrating front camera (if installed)
  - Calibrating control unit for distance measuring sensor
  - Replacing vehicle identification stickers
  - Carrying out an extended test drive

**Required parts:**

V04015003M	Replacement engine (engine type DWAD) - 718 Boxster GTS 4.0 - with Porsche Doppelkupplung (PDK) (M-no. 250)	1 ea.
V04014001AJ	Thatcham stickers	1 ea.
99907283701	Hexagon-head bolt, AM10 x 1.5 x 55-PA	2 ea.

99907284001	Hexagon-head bolt, M10 x 35	2 ea.
90037815901	Hexagon-head bolt AM8 x 60	4 ea.
99908412309	Hexagon nut, M10	2 ea.
PAF105234	Cheese head bolt with multiple-tooth head, M10 x 52	12 ea.
9A740735700	Plate	6 ea.
982251263B	Seal	2 ea.
90091000303	Hexagon nut, M8	6 ea.
N 10769401	Spring band clamp, 13.5 x 8.4	2 ea.
PAF906651	Cheese head bolt with multiple-tooth head, M10 x 1 x 29	10 ea.
9A700846400	External hexagon round-head bolt, BM12 x 1.5 x 55	6 ea.
90037824901	Hexagon-head bolt, AM10 x 55	4 ea.
PAF008660	Hexagon nut, M10	3 ea.
99970765340	O-ring 16.70 x 2.50N	1 ea.
99970755741	O-ring 11.00 x 2.50NX	1 ea.
99908444501	Lock nut, M12 x 1.5	4 ea.
<b>Required materials:</b>		
00004330516	Antifreeze (20 liter/ 5.28 gal container)	0.1 ea. (= approx. 2 liter/ 0.53 gal)
00004330539	Klüberplus Gel grease (100 g/ 3.5 oz/ 3.53 oz tube)	0.1 ea. (= approx. 10 g/ 0.35 oz)
00004330508	Optimol Paste TA grease (100 g/ 3.5 oz/ 3.53 oz tube)	0.1 ea. (= approx. 10 g/ 0.35 oz)
⇒ Damage Code AMA4 099 000 2		

### Warranty processing - Replacing engine - Scope 10

#### Scope 10: Replacing engine

- 718 Cayman GTS 4.0
- With Porsche Doppelkupplung (PDK) (M-no. 250)
- With adaptive cruise control (ACC) (M-no. 456)
- **Engine type DWAD**

**Working time:**

Replacing engine

Labor time: **1534 TU**

- Includes:
- Removing and installing engine/transmission unit
  - Removing and mounting transmission
  - Removing engine to be replaced and mounting new engine
  - Removing peripheral parts on engine to be replaced and installing them on new engine
  - Checking engine-oil level
  - Connecting and disconnecting battery charger (several times)
  - Connecting and disconnecting PIWIS Tester (several times)
  - Performing on-board diagnosis using the PIWIS Tester
  - Performing suspension alignment and adjusting the vehicle
  - Calibrating steering-angle sensor and teaching limit stops
  - Calibrating PASM
  - Calibrating front camera (if installed)
  - Calibrating control unit for distance measuring sensor
  - Replacing vehicle identification stickers
  - Carrying out an extended test drive

**Required parts:**

V04015003M	Replacement engine (engine type DWAD) - 718 Cayman GTS 4.0 - with Porsche Doppelkupplung (PDK) (M-no. 250)	1 ea.
V04014001AJ	Thatcham stickers	1 ea.
99907283701	Hexagon-head bolt, AM10 x 1.5 x 55-PA	2 ea.
99907284001	Hexagon-head bolt, M10 x 35	2 ea.
90037815901	Hexagon-head bolt AM8 x 60	4 ea.
99908412309	Hexagon nut, M10	2 ea.
PAF105234	Cheese head bolt with multiple-tooth head, M10 x 52	12 ea.
9A740735700	Plate	6 ea.
982251263B	Seal	2 ea.
90091000303	Hexagon nut, M8	6 ea.
N 10769401	Spring band clamp, 13.5 x 8.4	2 ea.
PAF906651	Cheese head bolt with multiple-tooth head, M10 x 1 x 29	10 ea.

9A700846400	External hexagon round-head bolt, BM12 x 1.5 x 55	6 ea.
90037824901	Hexagon-head bolt, AM10 x 55	4 ea.
PAF008660	Hexagon nut, M10	3 ea.
99970765340	O-ring 16.70 x 2.50N	1 ea.
99970755741	O-ring 11.00 x 2.50NX	1 ea.
99908444501	Lock nut, M12 x 1.5	4 ea.
<b>Required materials:</b>		
00004330516	Antifreeze (20 liter/ 5.28 gal container)	0.1 ea. (= approx. 2 liter/ 0.53 gal)
00004330539	Klüberplus Gel grease (100 g/ 3.5 oz/ 3.53 oz tube)	0.1 ea. (= approx. 10 g/ 0.35 oz)
00004330508	Optimol Paste TA grease (100 g/ 3.5 oz/ 3.53 oz tube)	0.1 ea. (= approx. 10 g/ 0.35 oz)
⇒ Damage Code AMA4 099 000 2		

### Warranty processing - Replacing engine - Scope 13

#### Scope 13: Replacing engine

- 718 Cayman GT4
- With 6-speed manual gearbox (M-no. 480)
- **Engine type DWAA**

#### Working time:

Replacing engine

Labor time: **1567 TU**

Includes:

- Removing and installing engine/transmission unit
- Removing and mounting transmission
- Removing engine to be replaced and mounting new engine
- Removing peripheral parts on engine to be replaced and installing them on new engine
- Checking engine-oil level
- Connecting and disconnecting battery charger (several times)
- Connecting and disconnecting PIWIS Tester (several times)
- Performing on-board diagnosis using the PIWIS Tester
- Performing suspension alignment and adjusting the vehicle
- Calibrating steering-angle sensor and teaching limit stops
- Calibrating front camera (if installed)

Replacing vehicle identification stickers  
 Carrying out an extended test drive

**Required parts:**

V04015003K	Replacement engine (engine type DWAA) - 718 Cayman GT4 - with 6-speed manual gearbox (M-no. 480)	1 ea.
V04014001AJ	Thatcham stickers	1 ea.
99907283701	Hexagon-head bolt, AM10 x 1.5 x 55-PA	2 ea.
99907284001	Hexagon-head bolt, M10 x 35	2 ea.
90037815901	Hexagon-head bolt AM8 x 60	4 ea.
PAF007957	Hexagon self-clinching nut, M10	2 ea.
PAF105234	Cheese head bolt with multiple-tooth head, M10 x 52	12 ea.
9A740735700	Plate	6 ea.
982251263B	Seal	2 ea.
90091000303	Hexagon nut, M8	6 ea.
N 10769401	Spring band clamp, 13.5 x 8.4	2 ea.
PAF009242	Multiple-tooth flange screw, BM8 x 19	6 ea.
PAF906651	Cheese head bolt with multiple-tooth head, M10 x 1 x 29	10 ea.
9A700846400	External hexagon round-head bolt, BM12 x 1.5 x 55	6 ea.
90037824901	Hexagon-head bolt, AM10 x 55	4 ea.
PAF008660	Hexagon nut, M10	3 ea.
99970765340	O-ring 16.70 x 2.50N	1 ea.
99970755741	O-ring 11.00 x 2.50NX	1 ea.
PAF909664	Hexagon collar nut, self-locking, M12 x 1.5	4 ea.

**Required materials:**

00004330516	Antifreeze (20 liter/ 5.28 gal container)	0.1 ea. (= approx. 2 liter/ 0.53 gal)
00004330539	Klüberplus Gel grease (100 g/ 3.5 oz/ 3.53 oz tube)	0.1 ea. (= approx. 10 g/ 0.35 oz)

00004330508	Optimol Paste TA grease (100 g/ 3.5 oz/ 3.53 oz tube)	0.1 ea. (= approx. 10 g/ 0.35 oz)
-------------	---	--------------------------------------

⇒ Damage Code AMA4 099 000 2

### Warranty processing - Replacing engine - Scope 14

Scope 14: **Replacing engine**

- 718 Spyder
- With 6-speed manual gearbox (M-no. 480)
- **Engine type DWAA**

#### Working time:

Replacing engine

Labor time: **1527 TU**

Includes:

- Removing and installing engine/transmission unit
- Removing and mounting transmission
- Removing engine to be replaced and mounting new engine
- Removing peripheral parts on engine to be replaced and installing them on new engine
- Checking engine-oil level
- Connecting and disconnecting battery charger (several times)
- Connecting and disconnecting PIWIS Tester (several times)
- Performing on-board diagnosis using the PIWIS Tester
- Performing suspension alignment and adjusting the vehicle
- Calibrating steering-angle sensor and teaching limit stops
- Calibrating front camera (if installed)
- Replacing vehicle identification stickers
- Carrying out an extended test drive

#### Required parts:

V04015003K	Replacement engine (engine type DWAA) - 718 Spyder - with 6-speed manual gearbox (M-no. 480)	1 ea.
V04014001AJ	Thatcham stickers	1 ea.
99907283701	Hexagon-head bolt, AM10 x 1.5 x 55-PA	2 ea.
99907284001	Hexagon-head bolt, M10 x 35	2 ea.
90037815901	Hexagon-head bolt AM8 x 60	4 ea.
PAF007957	Hexagon self-clinching nut, M10	2 ea.

PAF105234	Cheese head bolt with multiple-tooth head, M10 x 52	12 ea.
9A740735700	Plate	6 ea.
982251263B	Seal	2 ea.
90091000303	Hexagon nut, M8	6 ea.
N 10769401	Spring band clamp, 13.5 x 8.4	2 ea.
PAF009242	Multiple-tooth flange screw, BM8 x 19	6 ea.
PAF906651	Cheese head bolt with multiple-tooth head, M10 x 1 x 29	10 ea.
9A700846400	External hexagon round-head bolt, BM12 x 1.5 x 55	6 ea.
90037824901	Hexagon-head bolt, AM10 x 55	4 ea.
PAF008660	Hexagon nut, M10	3 ea.
99970765340	O-ring 16.70 x 2.50N	1 ea.
99970755741	O-ring 11.00 x 2.50NX	1 ea.
PAF909664	Hexagon collar nut, self-locking, M12 x 1.5	4 ea.
<b>Required materials:</b>		
00004330516	Antifreeze (20 liter/ 5.28 gal container)	0.1 ea. (= approx. 2 liter/ 0.53 gal)
00004330539	Klüberplus Gel grease (100 g/ 3.5 oz/ 3.53 oz tube)	0.1 ea. (= approx. 10 g/ 0.35 oz)
00004330508	Optimol Paste TA grease (100 g/ 3.5 oz/ 3.53 oz tube)	0.1 ea. (= approx. 10 g/ 0.35 oz)
⇒ Damage Code AMA4 099 000 2		

**Warranty processing - Replacing engine - Scope 15**

Scope 15: **Replacing engine**

- 718 Boxster GTS 4.0
- With 6-speed manual gearbox (M-no. 480)
- **Engine type DWAC**

**Working time:**

## Replacing engine

Labor time: **1485 TU**

Includes:

- Removing and installing engine/transmission unit
- Removing and mounting transmission
- Removing engine to be replaced and mounting new engine
- Removing peripheral parts on engine to be replaced and installing them on new engine
- Checking engine-oil level
- Connecting and disconnecting battery charger (several times)
- Connecting and disconnecting PIWIS Tester (several times)
- Performing on-board diagnosis using the PIWIS Tester
- Performing suspension alignment and adjusting the vehicle
- Calibrating steering-angle sensor and teaching limit stops
- Calibrating PASM
- Calibrating front camera (if installed)
- Replacing vehicle identification stickers
- Carrying out an extended test drive

**Required parts:**

V04015003M	Replacement engine (engine type DWAC) - 718 Boxster GTS 4.0 - with 6-speed manual gearbox (M-no. 480)	1 ea.
V04014001AJ	Thatcham stickers	1 ea.
99907283701	Hexagon-head bolt, AM10 x 1.5 x 55-PA	2 ea.
99907284001	Hexagon-head bolt, M10 x 35	2 ea.
90037815901	Hexagon-head bolt AM8 x 60	4 ea.
99908412309	Hexagon nut, M10	2 ea.
PAF105234	Cheese head bolt with multiple-tooth head, M10 x 52	12 ea.
9A740735700	Plate	6 ea.
982251263B	Seal	2 ea.
90091000303	Hexagon nut, M8	6 ea.
N 10769401	Spring band clamp, 13.5 x 8.4	2 ea.
PAF009242	Multiple-tooth flange screw, BM8 x 19	6 ea.
PAF906651	Cheese head bolt with multiple-tooth head, M10 x 1 x 29	10 ea.

9A700846400	External hexagon round-head bolt, BM12 x 1.5 x 55	6 ea.
90037824901	Hexagon-head bolt, AM10 x 55	4 ea.
PAF008660	Hexagon nut, M10	3 ea.
99970765340	O-ring 16.70 x 2.50N	1 ea.
99970755741	O-ring 11.00 x 2.50NX	1 ea.
99908444501	Lock nut, M12 x 1.5	4 ea.
<b>Required materials:</b>		
00004330516	Antifreeze (20 liter/ 5.28 gal container)	0.1 ea. (= approx. 2 liter/ 0.53 gal)
00004330539	Klüberplus Gel grease (100 g/ 3.5 oz/ 3.53 oz tube)	0.1 ea. (= approx. 10 g/ 0.35 oz)
00004330508	Optimol Paste TA grease (100 g/ 3.5 oz/ 3.53 oz tube)	0.1 ea. (= approx. 10 g/ 0.35 oz)
⇒ Damage Code AMA4 099 000 2		

**Warranty processing - Replacing engine - Scope 16**

Scope 16: **Replacing engine**

- 718 Cayman GTS 4.0
- With 6-speed manual gearbox (M-no. 480)
- **Engine type DWAC**

<b>Working time:</b>	
Replacing engine	Labor time: <b>1525 TU</b>
Includes:	<ul style="list-style-type: none"> <li>Removing and installing engine/transmission unit</li> <li>Removing and mounting transmission</li> <li>Removing engine to be replaced and mounting new engine</li> <li>Removing peripheral parts on engine to be replaced and installing them on new engine</li> <li>Checking engine-oil level</li> <li>Connecting and disconnecting battery charger (several times)</li> <li>Connecting and disconnecting PIWIS Tester (several times)</li> <li>Performing on-board diagnosis using the PIWIS Tester</li> <li>Performing suspension alignment and adjusting the vehicle</li> <li>Calibrating steering-angle sensor and teaching limit stops</li> <li>Calibrating PASM</li> </ul>

Calibrating front camera (if installed)  
Replacing vehicle identification stickers  
Carrying out an extended test drive

**Required parts:**

V04015003M	Replacement engine (engine type DWAC) - 718 Cayman GTS 4.0 - with 6-speed manual transmission (M-no. 480)	1 ea.
V04014001AJ	Thatcham stickers	1 ea.
99907283701	Hexagon-head bolt, AM10 x 1.5 x 55-PA	2 ea.
99907284001	Hexagon-head bolt, M10 x 35	2 ea.
90037815901	Hexagon-head bolt AM8 x 60	4 ea.
99908412309	Hexagon nut, M10	2 ea.
PAF105234	Cheese head bolt with multiple-tooth head, M10 x 52	12 ea.
9A740735700	Plate	6 ea.
982251263B	Seal	2 ea.
90091000303	Hexagon nut, M8	6 ea.
N 10769401	Spring band clamp, 13.5 x 8.4	2 ea.
PAF009242	Multiple-tooth flange screw, BM8 x 19	6 ea.
PAF906651	Cheese head bolt with multiple-tooth head, M10 x 1 x 29	10 ea.
9A700846400	External hexagon round-head bolt, BM12 x 1.5 x 55	6 ea.
90037824901	Hexagon-head bolt, AM10 x 55	4 ea.
PAF008660	Hexagon nut, M10	3 ea.
99970765340	O-ring 16.70 x 2.50N	1 ea.
99970755741	O-ring 11.00 x 2.50NX	1 ea.
99908444501	Lock nut, M12 x 1.5	4 ea.
<b>Required materials:</b>		
00004330516	Antifreeze (20 liter/ 5.28 gal container)	0.1 ea. (= approx. 2 liter/ 0.53 gal)
00004330539	Klüberplus Gel grease (100 g/ 3.5 oz/ 3.53 oz tube)	0.1 ea. (= approx. 10 g/ 0.35 oz)

00004330508	Optimol Paste TA grease (100 g/ 3.5 oz/ 3.53 oz tube)	0.1 ea. (= approx. 10 g/ 0.35 oz)
-------------	---	--------------------------------------

⇒ Damage Code AMA4 099 000 2

**Important Notice:** Technical Bulletins issued by Porsche Cars North America, Inc. are intended only for use by professional automotive technicians who have attended Porsche service training courses. They are written to inform those technicians of conditions that may occur on some Porsche vehicles, or to provide information that could assist in the proper servicing of a vehicle. Porsche special tools may be necessary in order to perform certain operations identified in these bulletins. Use of tools and procedures other than those Porsche recommends in these bulletins may be detrimental to the safe operation of your vehicle, and may endanger the people working on it. Properly trained Porsche technicians have the equipment, tools, safety instructions, and know-how to do the job properly and safely. Part numbers listed in these bulletins are for reference only. The work procedures updated electronically in the Porsche PIWIS diagnostic and testing device take precedence and, in the event of a discrepancy, the work procedures in the PIWIS Tester are the ones that must be followed.

© 2021 Porsche Cars North America, Inc.