

**Brake hose routing bracket, installation  
VN, VHD, VAH****FSB 565-003 Brake Hose Routing Bracket,  
Installation****(July 2021)**

On certain VN, VHD and VAH model trucks built between May 11th, 2019 and June 14th, 2021, and built with VOAS suspension, a condition may be present that allows the drive axle brake hoses to contact the driveshaft, this condition could cause damage to the brake hoses.

If this condition exists, follow the procedures outlined in this Field Service Bulletin (FSB).

Order parts listed in required parts section.

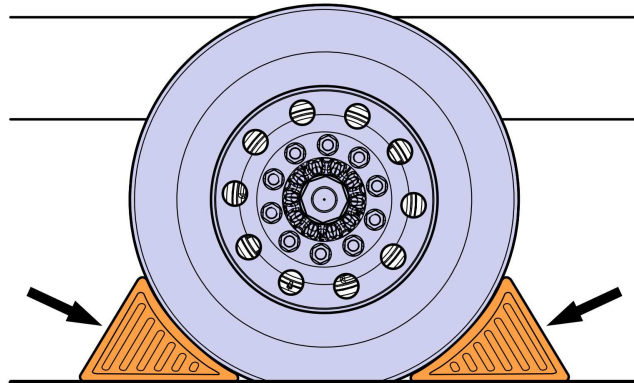
Install the bracket and replace the brake hoses as per instructions outlined in this FSB.

**Required Parts**

Quantity	Part Number	Part Description
1	23862741	Bracket
2	23863700	Brake Hose, 1/2" PTC (used on park circuit for trucks with disc brakes)
2	24120679	Brake Hose, 1/2" PTC (used on park circuit for trucks with drum brakes)
2	8397724	Fitting
1	25088278	Tee
1	21621536	Retainer Cable Tie
1	3082811	Elbow Nipple
1	20864112	Fitting (19*1/2 NPTF)

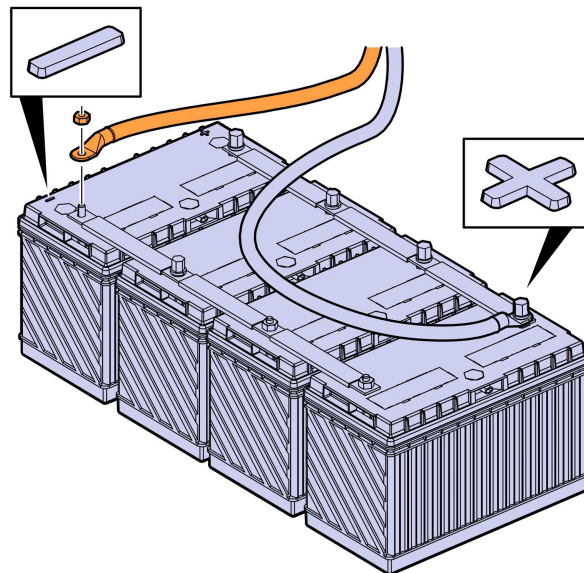
## Repair Procedure

- 1 Park the vehicle on a flat and level surface.
- 2 Apply the parking brake.
- 3 Place the gear lever in neutral.
- 4 Install the wheel chocks.



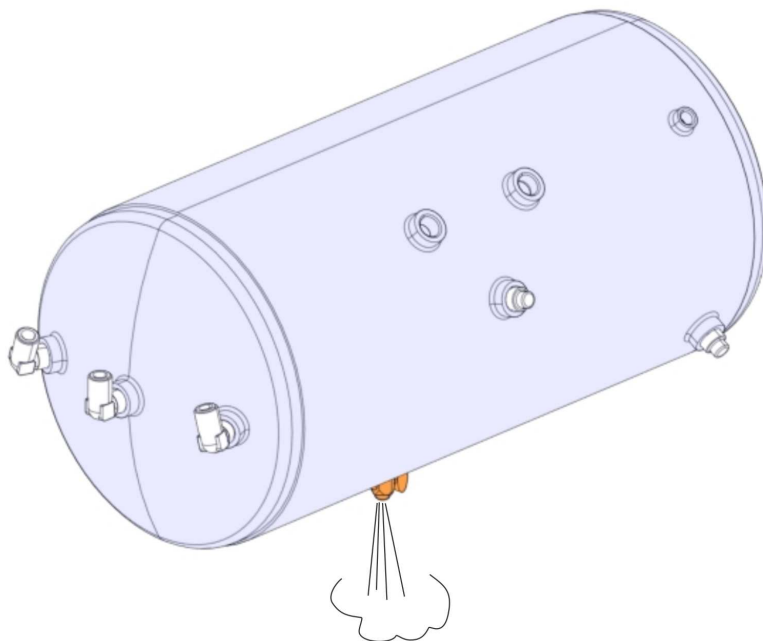
W7086748

- 5 Disconnect the cable from the battery's negative terminal.



W3086747

6 Drain the compressed-air tanks.



C5173144

7 Remove the zip tie holding the harness to the valve.



C5173167

8 Remove the air line.



C5173169

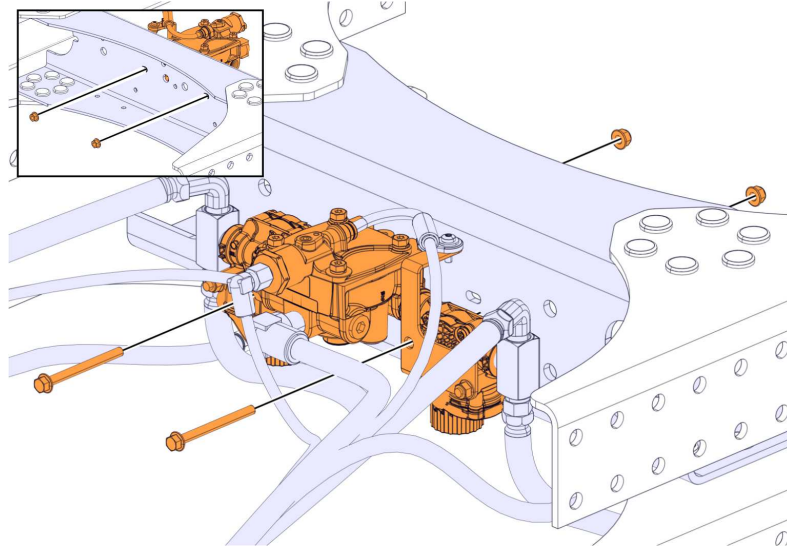
9 Remove the fitting.



C1173168

10 Remove the screws and fasteners.

11 Remove the modulator valve assembly.



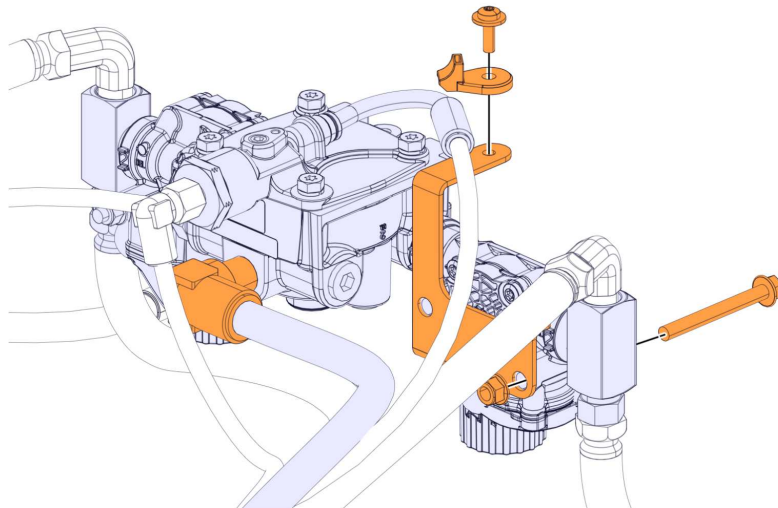
C5173132

12 Remove the screws and fastener.

13 Remove the clamp.

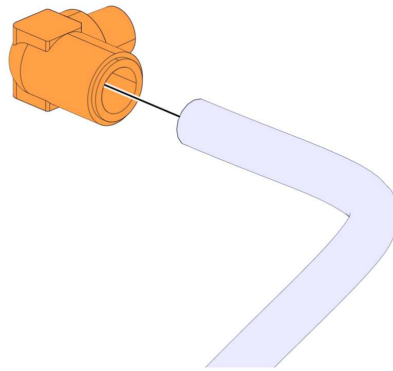
14 Remove the bracket.

15 Remove the fitting.



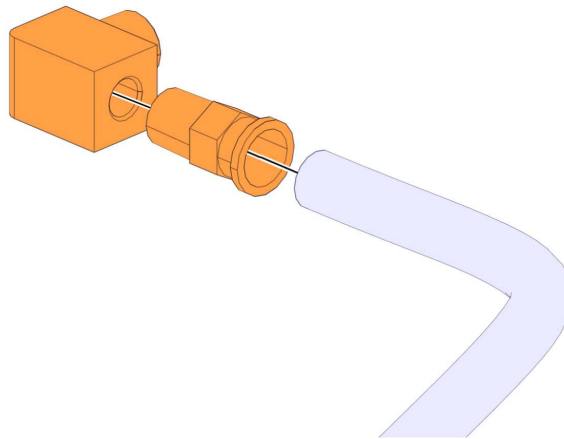
C5173133

16 Disassemble the fitting.



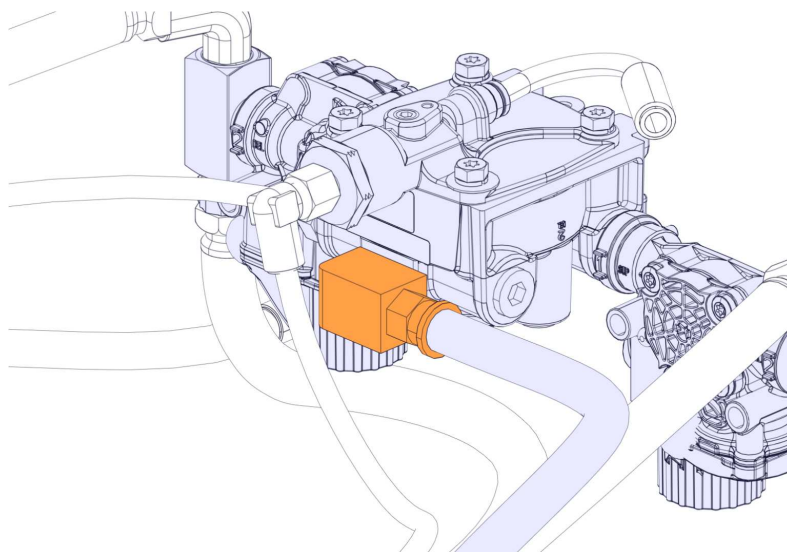
C5173410

17 Assemble the Elbow Nipple and Fitting (19\*1/2 NPTF).



C5173405

18 Install the Elbow Nipple.

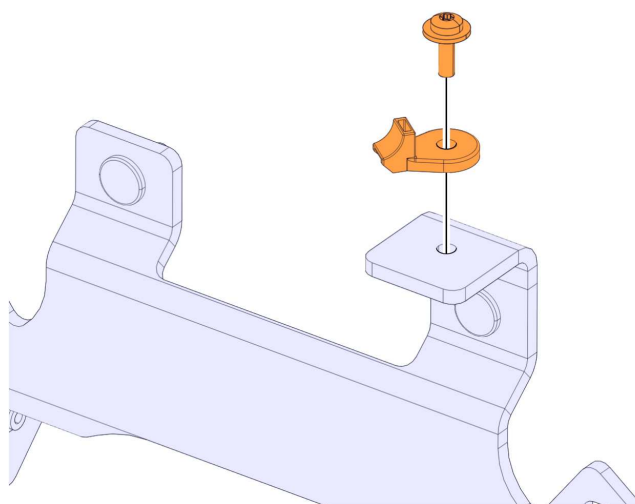


C5173408

19 Install the clamp.

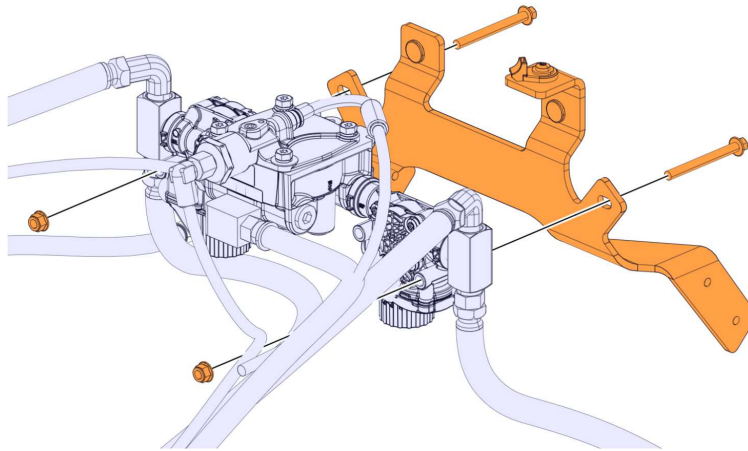
20 Install the screw.

21 Torque tighten the screws  $10 \pm 1.5$  Nm ( $7.4 \pm 1$  ft-lb).



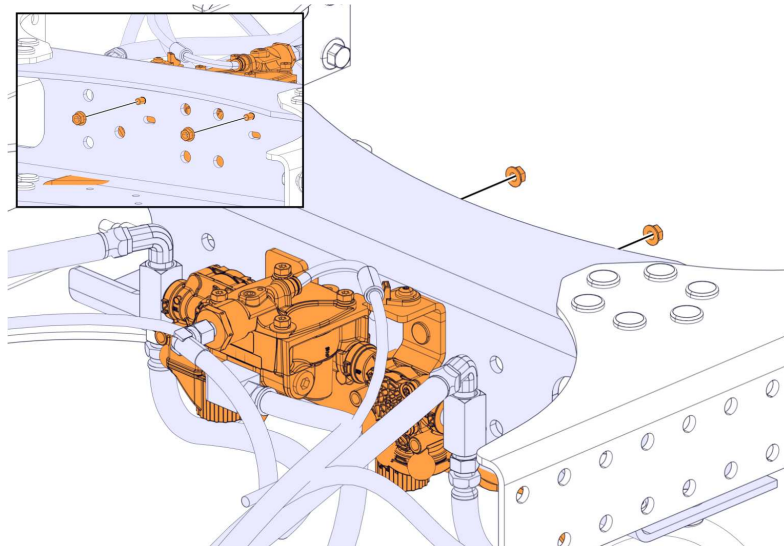
C5173143

- 22 Position the brake valve bracket.
- 23 Install the screws.
- 24 Tighten the fasteners.
- 25 Torque tighten the screws  $24 \pm 4$  Nm ( $17.7 \pm 3$  ft-lb).



C5173134

- 26 Position the modulator valve – bracket assembly.
- 27 Tighten the fasteners.
- 28 Torque tighten the screws  $24 \pm 4$  Nm ( $17.7 \pm 3$  ft-lb).



C5173135

29 Install the fitting.



C1173168

30 Install the air line.



C5173169

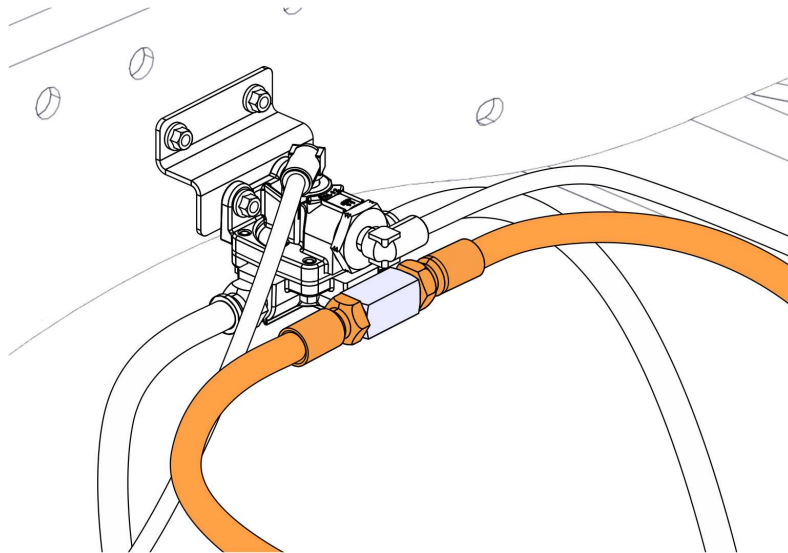
31 Install the zip tie holding the harness to the valve.

**Note:** Ensure strain relief is adequate after zip tie is installed.



C5173167

32 Remove the park hoses.



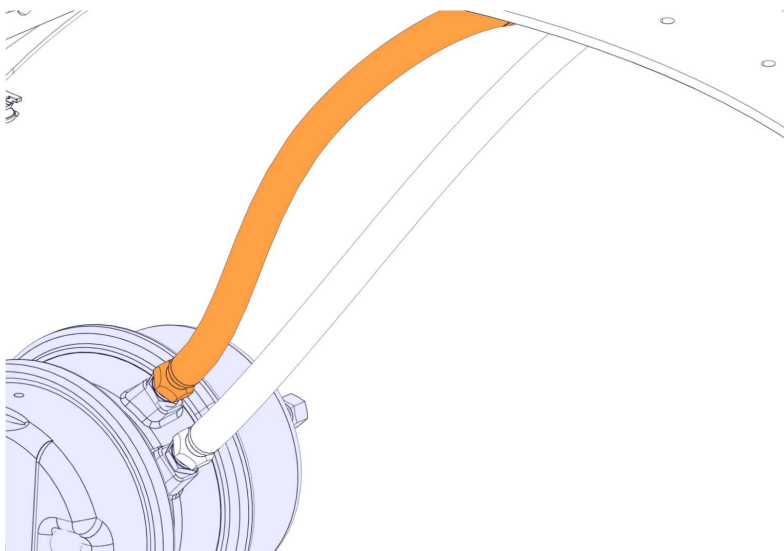
C5173140

33 Sub assemble the air line and hose.



C5173082

34 Connect the hose to the brake chamber.

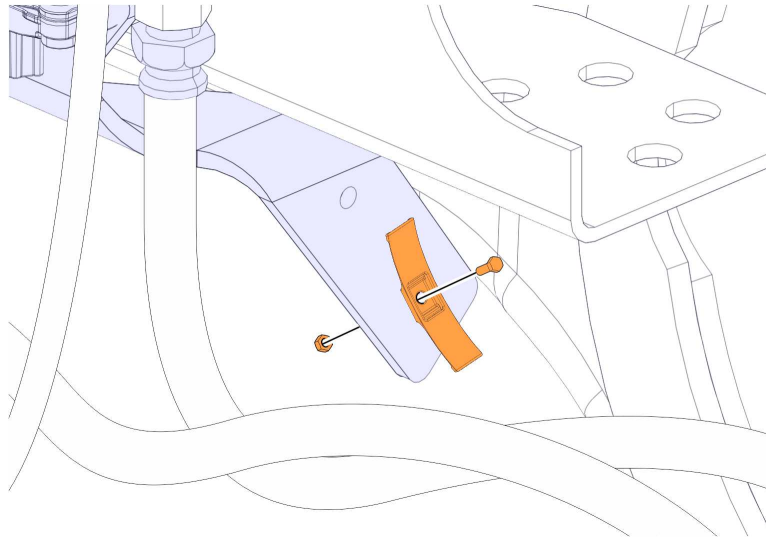


C5173388

35 Route the hoses based on the vehicle configuration.

**To install 2 hoses on the bracket**

1. Install the retainer cable clamp.
2. Install the screw and fastener.
3. Torque tighten the screws  $10 \pm 1.5$  Nm ( $7.4 \pm 1$  ft-lb).



C5173139

4. Install the retainer clamp on the other side same way.

5. Position and secure the hoses.

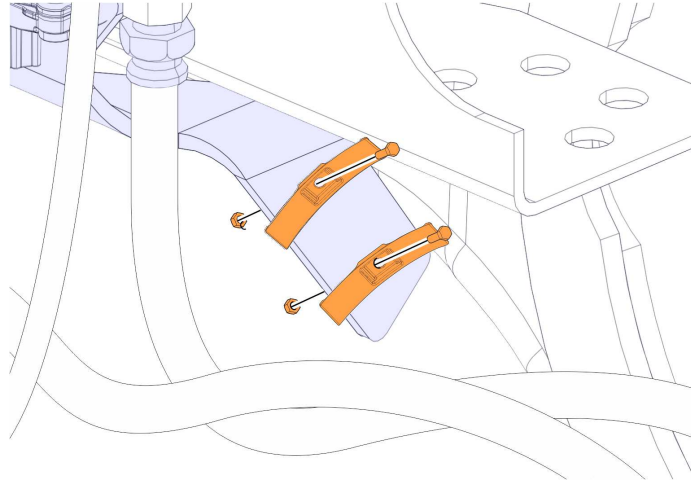
**Note:** Pull and secure the hoses away from the drive shaft.



C5173138

**To install a single hose on the bracket**

1. Install the retainer cable clamps.
2. Install the screws and fasteners.
3. Torque tighten the screws  $10 \pm 1.5$  Nm ( $7.4 \pm 1$  ft-lb).



C5173137

4. Position and secure the hose.

**Note:** Pull and secure the hose away from the drive shaft.



C5173179

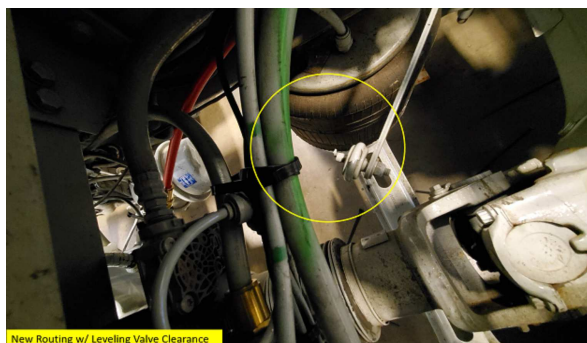
5. Install the parking hose on the other side same way.



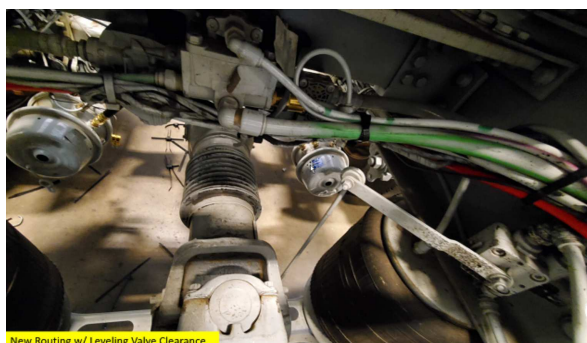
C5173180

36 Route the hose and air line in place using zip ties.

**Note:** Secure the hoses, away from the leveling valve lever.



C5173383



C5173382

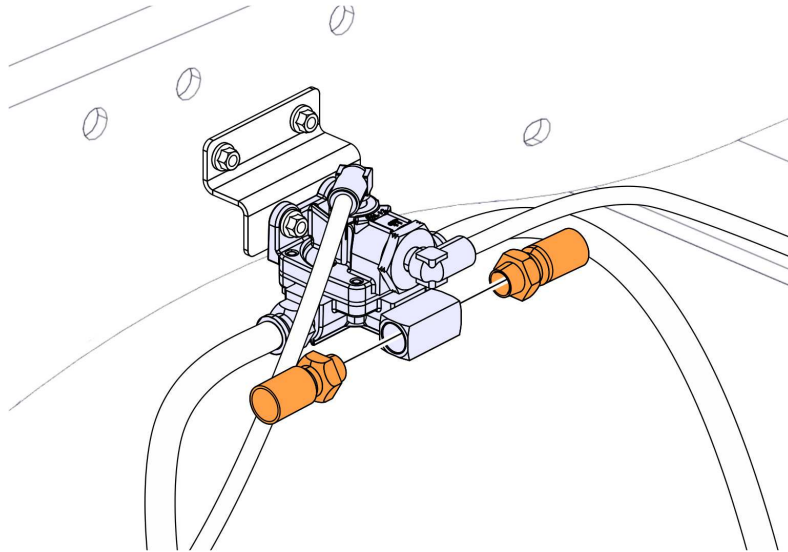


C5173083

37 Perform the same on the other side.

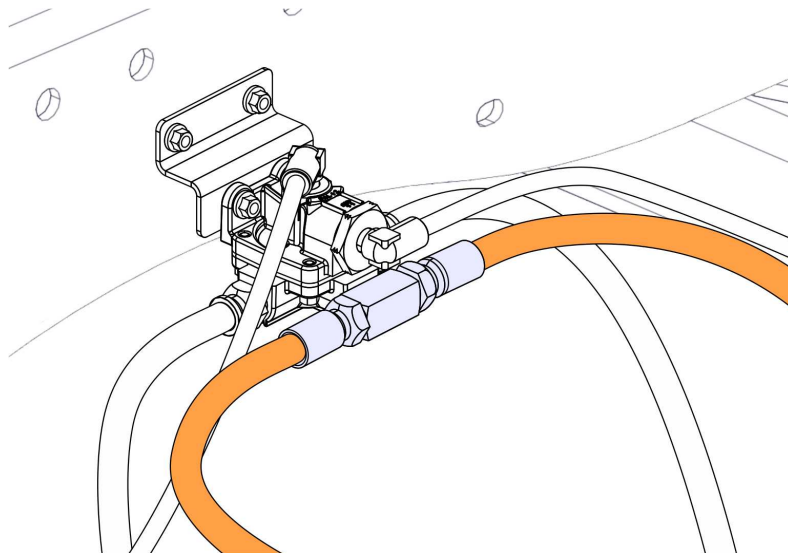
38 Install the fittings into the park brake valve.

**Note:** use new parts.



C1173146

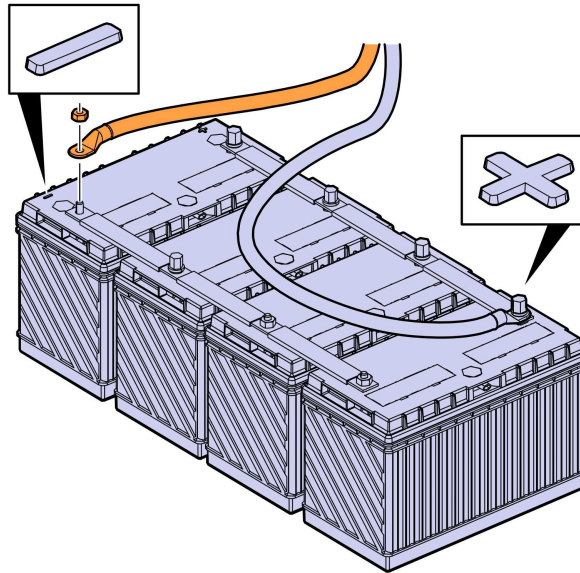
39 Cut the air line to length and push connect to fittings.



C1173142

40 Connect the battery cable to the battery's negative (ground) terminal.

41 Tighten the fasteners to  $21 \pm 1$  Nm ( $16 \pm 1$  ft-lb).



W3086747

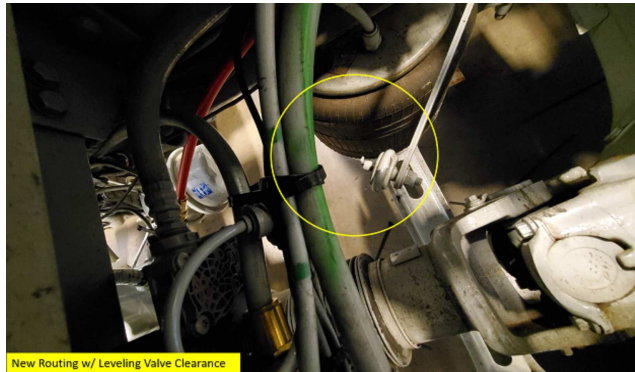
42 Position and latch the battery box cover.

43 Start the engine and check pneumatic system for leaks with brakes released.

**Note:** Ensure that there is enough air pressure.

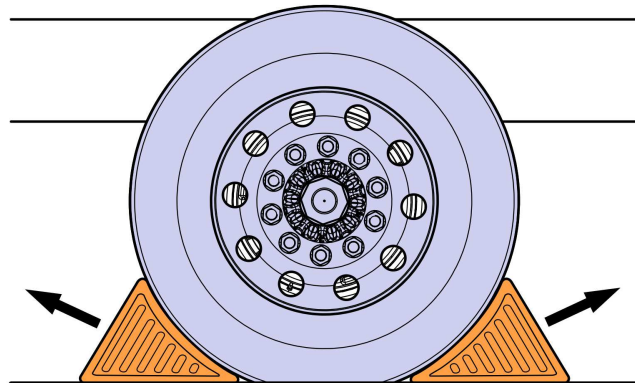
44 Move the suspension from bottom most position to top most position and make sure the lever does not contact the bundle.

**Note:** Ensure that there is enough clearance.



C5173383

45 Remove the wheel chocks.



W7086759

**Reimbursement**

<b>This repair may be eligible for reimbursement if a product failure was experienced within time and mileage limits of the applicable Warranty coverage. Reimbursement is obtained via the normal claim handling process.</b>	<b>UCHP Reimbursement</b>
<b>Claim Type (used only when uploading from the Dealer Bus. Sys.)</b>	
<b>Labor Code</b>	
Primary Labor Code Brake hose routing bracket, install.	5659-02-09-01 1.1 hrs.
<b>Causal Part</b>	20508025

VOLVO Trucks North America reserves the right to make any changes in design or to make additions to or upon its products without incurring any obligations to install the same on vehicles previously built.