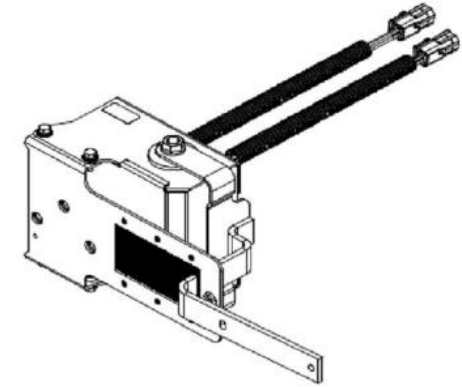


New Release

The Defender electric crossing arm will be replacing the Series 7 for new orders effective 8/28/2021. This is the same transition that occurred on the C2 in 2020. The Defender crossing arm will be released on the Minotour products as well in the coming months. Any requests for change orders to the new crossing arm on previously committed orders will be subject to lead times.



Features and Benefits

- The defender motor has improved performance in the following areas:
 - Product life
 - Obstruction detection
 - Self homing

Ordering

Option	Description	Model	Status	List
B585740000	ELE-DEFENDER XING CONTROL ARM	HDX/EFX	ACTIVE	
B585738000	ELEC OPER CROSSING CONTROL ARM	HDX/EFX	INACTIVE	

<input type="checkbox"/> Saf-T-Liner C2	<input checked="" type="checkbox"/> Saf-T-Liner HDX	<input checked="" type="checkbox"/> Saf-T-Liner EFX
<input type="checkbox"/> Minotour DRW	<input type="checkbox"/> Minotour SRW	<input type="checkbox"/> Minotrek

