



| | |
|------------|------------------------------|
| GROUP | MODEL |
| Electrical | 2014MY~ Applicable Models |
| NUMBER | DATE |
| PS704 | August 2021 |



TECHNICAL OPERATIONS

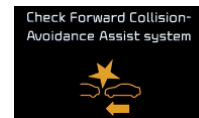
SUBJECT:

FRONT RADAR SENSOR MOUNTING INSPECTION (PS704)

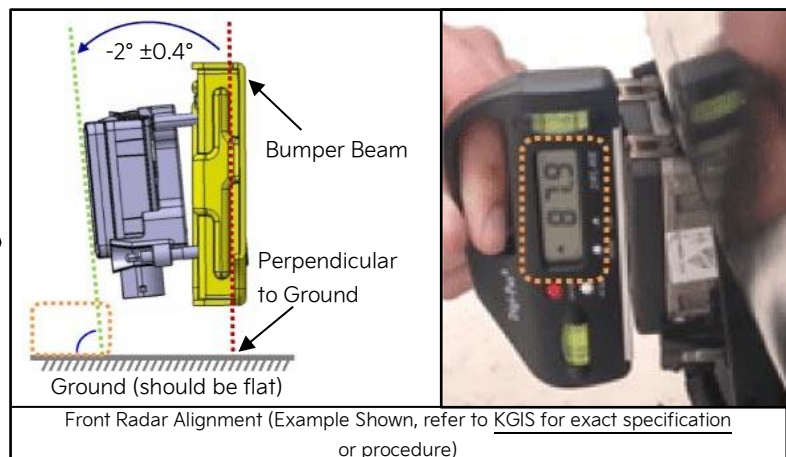
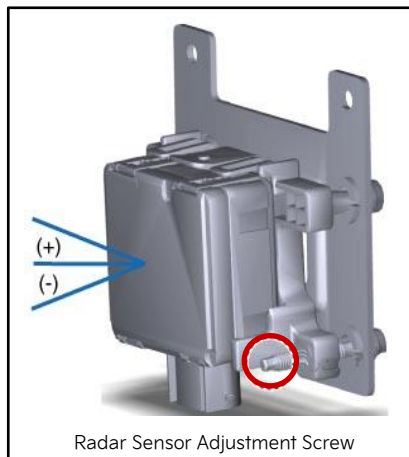
This pitstop provides information regarding front radar sensor alignment on 2014MY and later vehicles that may exhibit a warning light ON related to radar sensor alignment errors in the Forward Collision-Avoidance Assist (FCA)/Smart Cruise Control (SCC) system. These alignment errors may be due to a collision or other outside impact that may have caused the radar unit to lose its original factory setting. The underlying damage may not be readily apparent from the exterior. In these cases, replace the damaged bracket or bumper beam and perform the Front Radar Sensor Alignment by referring to the "Brake System → Forward Collision-Avoidance Assist (FCA) System → Repair procedures" in the applicable Shop Manual on KGIS.

If radar sensor alignment is needed review the videos on KGIS under "Publication → Tech Videos → Brake System"

- [\[VID031\]Tech Toolbox: Radar Alignment Procedures](#)
- [\[VID039\]Tech Toolbox: Front Radar KDS Running Mode Calibration](#)



Note: Check for any bent mounting brackets or bumper beam damage where the radar sensor is mounted that may have caused the radar sensor to go out of factory alignment.



- ❖ If the Front Radar Alignment does not correct the concern, dealer should diagnose and replace the required part(s) and perform the alignment as necessary.

NOTICE

All Warranty Claims require the "Before" and "After" Vertical Angle measurements documented in the claim notes.