

**SIB 00 09 13****Change in Maintenance: Check Center Stand**

2021-05-10

This Service Information Bulletin replaces SI 00 009 13 (026) **dated August 2018**.

The contents of this bulletin have not changed; bulletin numbering was updated.

0000913(026) 0000913(026)

MODEL

This document applies to the following Motorrad AG models: 0388,0398,0470,0382,0307,0380,0338

This document applies to the following Motorrad model descriptions: R1200ST US,R 1200 RT US,R 1200 R US

This document applies to the following Motorrad series: K26,K28,K27

SITUATION

This document is applies to the following categories: Maintenance and General Information

Supporting Materials

[picture_as_pdf 00_009_13_026_Change_in_Maintenance_K2x_Center_Stand.pdf](#)

Retail Operator General Manager	Sales New Motorcycles	Sales Pre-Owned Motorcycles	Business Manager (F&I)	Service	Parts & Accessories	Administration
Date: August 2013		Source: SI 23/2013				
Bulletin # 00 009 13 (026)		Name: Shawn McLean				
		Title: Service & Technical Manager				
		Phone: 201-307-4131				



BMW Motorrad USA

Service Information Bulletin

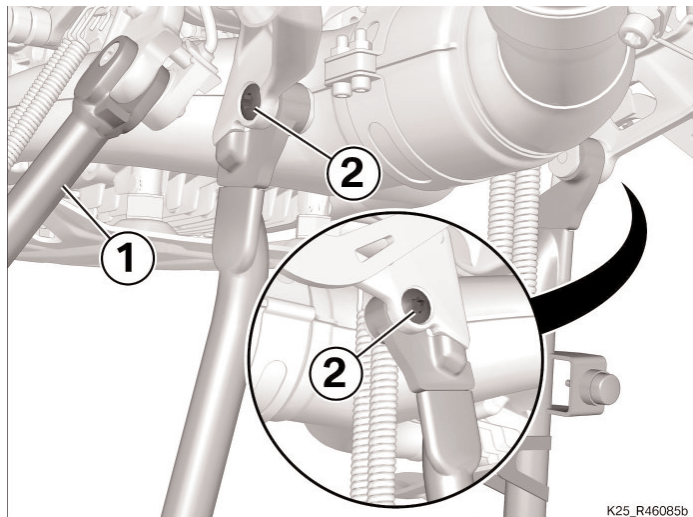
Subject: Change in Maintenance-Center Stand

Models: All R 1200 (K2x) models with center stand

Details: Within the framework of quality monitoring, BMW Motorrad has ascertained that incorrect usage, such as overloading, can result in the threaded fasteners of the center stand losing their initial torque.

Vehicles affected: All R models (K2x) with center stand

Aftersales solution: In order to prevent consequential damage, checking the security of the center stand threaded fasteners is included as a maintenance item.



Example, K25: Checking security of center stand threaded fasteners

Extend side stand (1).

Use a torque wrench to check the security of screws (2) (40 Nm).

See the maintenance schedules in the RSD (Repair and Service Data BMW Motorrad) DVD for details of the test for the models affected.

If the specified tightening torque is not achieved in the test, the swivel mount of the center stand has to be replaced in accordance with repair item 46 52 558 (see the current RSD (Repair and Service Data BMW Motorrad) DVD).

Contact: Service and Technical Manager