

# Product Emission Recall

## N212336951 Incorrect OBD System on VECI Label



**Release Date:** June 2021

**Revision:** 01

**Revision Description:** This bulletin is being revised to update the attention box. Please discard all previous copies of N212336951.

**Attention:** Vehicles involved in this recall were placed on stop delivery May 13, 2021 in Canada Only. Once the service procedure contained in this bulletin has been performed on the vehicle, the vehicle is released from stop delivery and the vehicle can be delivered to the customer.

All involved vehicles in the US and Canada that are in dealer inventory must be held and not delivered to customers, dealer traded, or used for demonstration purposes until the repair contained in this bulletin has been performed on the vehicle.

Make	Model	Model Year		RPO	Description
		From	To		
Chevrolet	Express	2021	2021		
GMC	Savana				

Involved vehicles are marked "open" on the Investigate Vehicle History screen in GM Global Warranty Management system. This site should always be checked to confirm vehicle involvement prior to beginning any required inspections and/or repairs.

<b>Condition</b>	General Motors has decided to conduct a voluntary emissions recall involving certain 2021 Chevrolet Express and GMC Savana 4500 Cutaway vehicles. The Vehicle Emissions Control Information (VECI) label may not contain the correct OBD (On-Board Diagnostic) system identifier.
<b>Correction</b>	Since a new label can be easily installed, and to reduce customer inconvenience, the label will be sent directly to customers of record along with the installation instructions. Customers may install the label or, if they desire, they may take the label to their dealer for installation at no charge.

### Parts

**Do not order labels from GMCCA.**

**Important:** For customer owned vehicles only, labels will be mailed directly to owners of record. There should be no need to order labels for shelf stock in anticipation of customer vehicles being presented for repair.

**For Dealer inventory or customers that didn't receive their label:**

**USA Dealers:** Parts required to complete this recall are to be ordered online, through the GM 1 Store via GlobalConnect, The VIN must be supplied. The label will be provided at no charge. Please order the label using item number 212336951 or the bulletin number N212336951.

**Canada Dealers:** Please contact the Warranty Call Centre at 1-888-222-5546 to order labels which will be provided at no charge. Dealers will be required to provide a VIN at the time of ordering. Please have VIN available when calling to order the label as the labels are VIN specific. Please order the label using item number 212336951 or the bulletin number N212336951.

### Warranty Information

Labor Operation	Description	Labor Time	Trans. Type	Net Item
9105752	VECI Label Replacement	0.2	ZFAT	N/A
9105804	Working Capital Assistance Program Reimbursement – USED INVENTORY ONLY	N/A	ZFAT	*

Note: To avoid having to "H" route the WCAP transaction for approval, it must be submitted prior to the repair transaction

### Working Capital Assistance Program (WCAP) Reimbursement – USED INVENTORY ONLY

**Note: USA & Canada Only - To avoid having to "H" route the WCAP transaction for approval, it must be submitted prior to the repair transaction.**

**Important: The WCAP ZSET transaction labor code, 9800072, provided in the dealer message GCCA-5-2012 sent on May 27, 2021 (Canada), must have been submitted prior to the submittal of the ZFAT transaction labor code or the claim will reject.**

\* **USA & Canada Dealers Only -** For vehicles eligible under the Working Capital Assistance Program, the amount should be submitted in Net Item/Miscellaneous. This amount has been calculated to a daily value for the days that

# Product Emission Recall

## N212336951 Incorrect OBD System on VECI Label

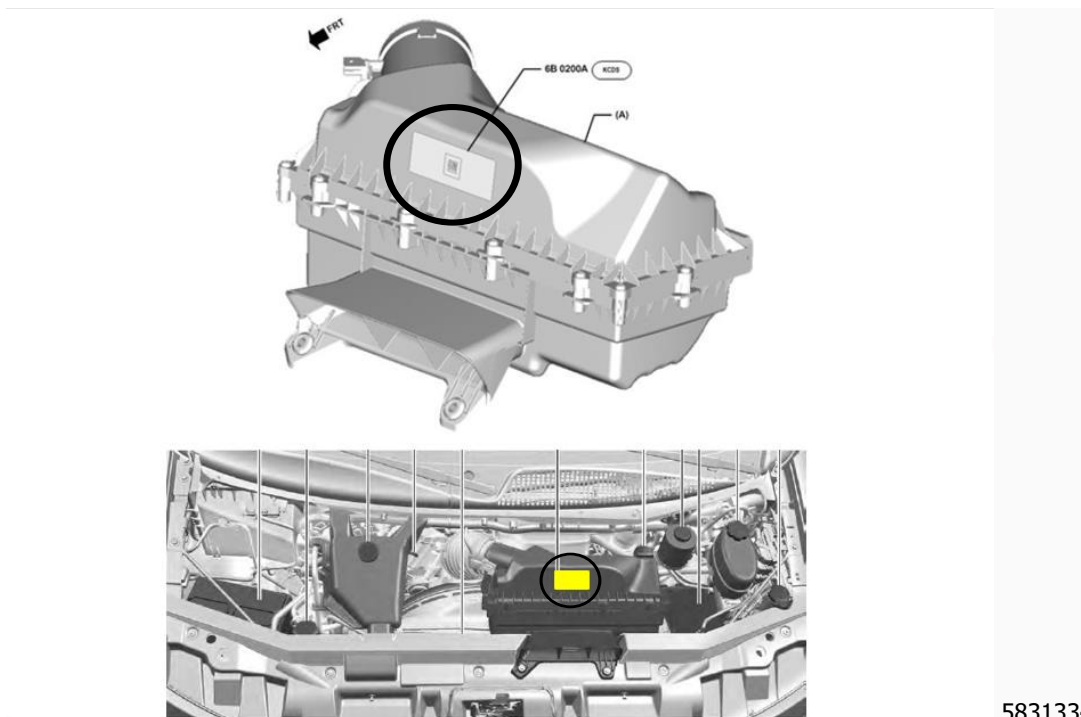


the vehicle was in used dealer inventory and not available for sale. This reimbursement is limited to the number of days from the date of the stop sale/stop delivery order (May 13, 2021) to the date the inspection or repair closed the recall bulletin. (not to exceed 38 days).

Vehicle	Working Capital Assistance Reimbursement Amount	
	USA	Canada
2021 Chevrolet Express	N/A	\$15.31
2021 GMC Savana	N/A	\$15.31

### Service Procedure

1. Open the hood.



2. Locate the Vehicle Emission Control Information (VECI) Label on the airbox, in the location circled.  
**Important: DO NOT use any cleaners or solvents to clean the label surface.**
3. Clean and dry the VECI label using water and a clean, lint-free cloth. The surface must be clean, dry, and free of any contaminants.

# Product Emission Recall

## N212336951 Incorrect OBD System on VECI Label



5834670

- Affix the new Vehicle Emission Control Information Label overlay onto VECI label in the spot specified (2). This is how the label should look when finished.
  - The old label will look as shown in (1), and will incorrectly say “CA: OBD: II,” with no line below that. The overlay, (3) is shown at the bottom.
- Close the hood.

CALIFORNIA VEHICLES ONLY: Complete a “Proof of Correction” certificate and provide to the vehicle owner upon recall completion.

### Dealer Responsibility

All new, used, GM Certified Used, courtesy transportation vehicles, dealer shuttle vehicles, etc. in dealers' possession and subject to this recall must be held and inspected/repared per the service procedure of this bulletin before customers take possession of these vehicles. Involved vehicles must be held and not delivered to customers, dealer-traded, released to auction, used for demonstration, or any other purpose.

All GM Certified Used vehicles currently in the dealers' inventory within the Certified Pre-Owned Inventory System (CPOIS) will be de-certified and must be held and remedied per the service procedure in this bulletin. Upon submitting an accepted/paid warranty transaction in the Global Warranty Management (GWM) system, the vehicle can be re-certified for sale within the CPOIS system, or once again be used in the CTP program.

Dealers are to service all vehicles subject to this recall at no charge to customers, regardless of mileage, age of vehicle, or ownership, from this time forward.

Customers who have recently purchased vehicles sold from your vehicle inventory, and for which there is no customer information indicated on the dealer listing, are to be contacted by the dealer. Arrangements are to be made to make the required correction according to the instructions contained in this bulletin. A copy of the customer letter is provided in this bulletin for your use in contacting customers. Recall follow-up cards should not be used for this purpose, since the customer may not as yet have received the notification letter.

In summary, whenever a vehicle subject to this field action enters your vehicle inventory you must take the steps necessary to ensure the program correction has been made before selling the vehicle. In addition, for vehicles entering your facility for service, you are required to ensure the customer is aware of the open field action and make every reasonable effort to implement the program correction as set forth in this bulletin prior to releasing the vehicle.

# Product Emission Recall

## N212336951 Incorrect OBD System on VECI Label



### Dealer Reports

For dealers with involved vehicles, a listing has been prepared and will be available through GM GlobalConnect Maxis Field Action Reports or sent directly to export dealers. The Inventory tab of the dealer reports will contain VINs that apply to this recall. This information is intended to assist dealers with the **PROMPT COMPLETION** of these vehicles. The Customer In-Service tab will contain customer names and addresses from Motor Vehicle Registration Records. The use of such motor vehicle registration data for any purpose other than follow-up necessary to complete this recall may be a violation of law in several states.

### Courtesy Transportation – For USA & Canada

Courtesy transportation is available for customers whose vehicles are involved in a product program and still within the warranty coverage period. See General Motors Service Policies and Procedures Manual for courtesy transportation program details.

### Customer Notification

USA & Canada - General Motors will notify customers of this recall on their vehicle (see copy of customer letter included with this bulletin).

In order to ensure full protection under the emission warranty, and the right to participate in future recalls, the customer notification letter recommends that customers have their vehicles serviced as soon as possible. It also advises that failure to do so could legally be determined to be lack of proper maintenance.

---

GM bulletins are intended for use by professional technicians, NOT a "do-it-yourselfer". They are written to inform these technicians of conditions that may occur on some vehicles, or to provide information that could assist in the proper service of a vehicle. Properly trained technicians have the tools, equipment, safety instructions, and know-how to do a job properly and safely. If a condition is described, **DO NOT** assume that the bulletin applies to your vehicle, or that your vehicle will have that condition. See your dealer for information on whether your vehicle may benefit from the information.



**We Support  
Voluntary Technician  
Certification**

# Product Emission Recall

## N212336951 Incorrect OBD System on VECI Label



June 2021

This notice applies to your vehicle, **VIN:** \_\_\_\_\_

Dear General Motors Customer:

This notice is sent to inform you that General Motors is conducting a voluntary emission recall that includes your vehicle.

**Reason For This Recall:** Your 2021 model year Chevrolet Express or GMC Savana may have a Vehicle Emissions Control Information (VECI) label which may have the incorrect On-Board Diagnostic (OBD) system noted.

**What Will Be Done:** The label for your vehicle is enclosed. To reduce your inconvenience, you can install the label by following the enclosed instructions. If you desire, however, you may take the label to your dealer for installation. This service will be performed for you at no charge.

**What You Should Do:** If you wish to have your dealer install the label, please contact your GM dealer as soon as possible to arrange a service date and to assure parts availability. Instructions for making this correction have been sent to your dealer. Please ask your dealer if you wish to know how much time will be needed to schedule, process, and repair your vehicle.

If you have any questions or need any assistance, just contact your dealer or the appropriate Customer Assistance Center at the number listed below.

Division	Number	Text Telephones (TTY)
Chevrolet	1-800-630-2438	1-800-833-2438
GMC	1-866-996-9463	1-800-462-8583
Puerto Rico – English	1-800-496-9992	
Puerto Rico – Español	1-800-496-9993	
Virgin Islands	1-800-496-9994	

**Emission Law Information:** In order to ensure your full protection under the emission warranty made applicable to your vehicle by state and federal law, and your right to participate in future recalls, it is recommended that you have your vehicle serviced as soon as possible. Failure to do so could legally be determined to be lack of proper maintenance of your vehicle. Also, your vehicle may fail a state or local emission inspection if this recall is not accomplished.

We are sorry to cause you this inconvenience; however, we have taken this action in the interest of your continued satisfaction with our products.

Maryann L. Combs  
Vice President  
Global Vehicle Safety

Enclosure  
N212336951

GLOBAL SAFETY FIELD INVESTIGATIONS  
DCS5494  
URGENT - DISTRIBUTE IMMEDIATELY

Date: June 30, 2021

Subject: REVISION – N212336951-01 – Emission Recall  
Incorrect OBD System on VECI Label  
Revised Attention Box

Models: 2021 Chevrolet Express  
2021 GMC Savana

To: All General Motors Dealers

This bulletin is being revised to update the Attention box. Please discard all previous copies of N212336951.

END OF MESSAGE  
GLOBAL SAFETY FIELD INVESTIGATIONS