



Service Bulletin

Bulletin No.: 21-NA-140

Date: June, 2021

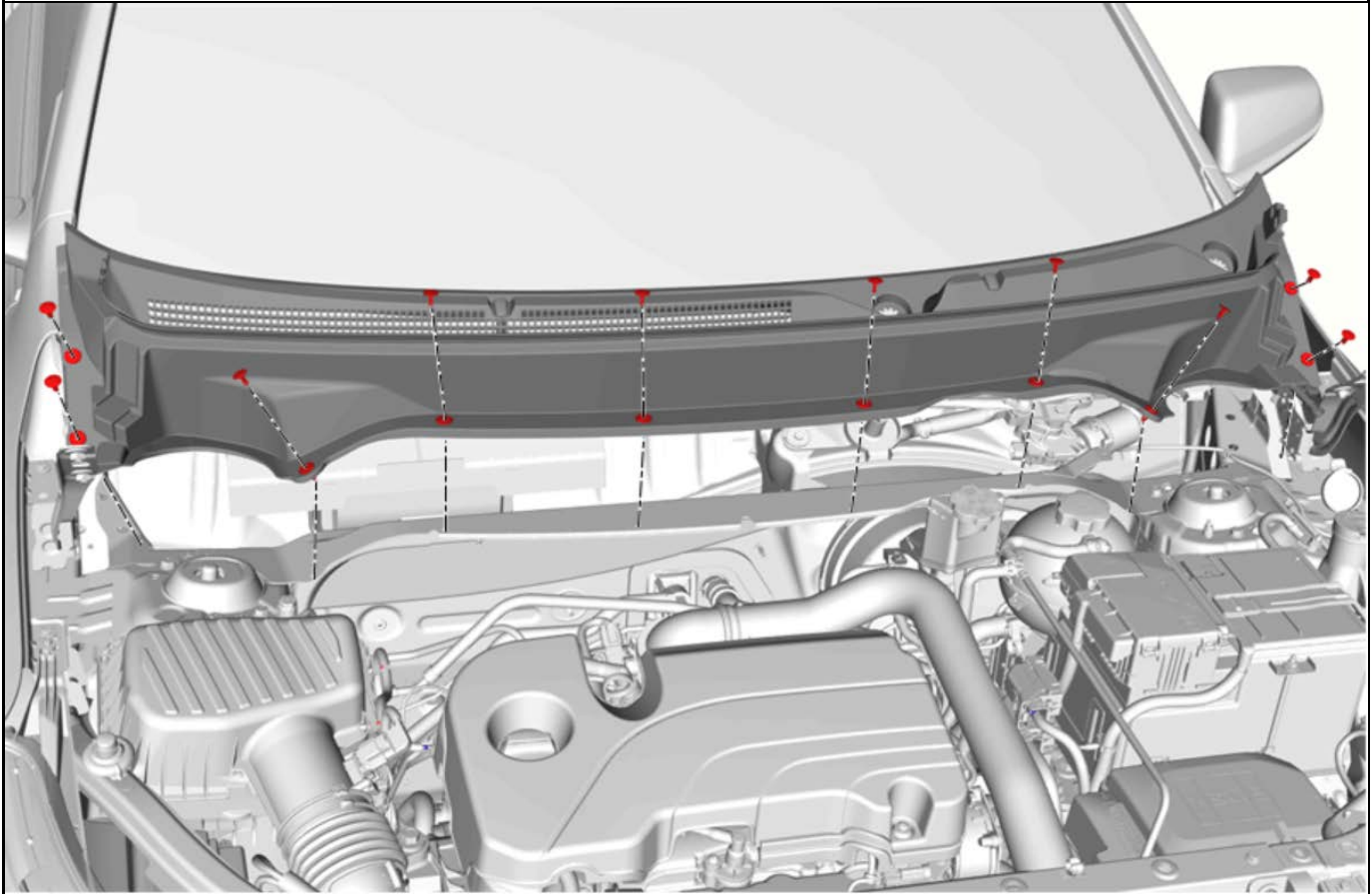
TECHNICAL

Subject: Windshield Wiper Squeak on Passenger Side Wiper Pivot

Brand:	Model:	Model Year:		VIN:		Engine:	Transmission:
		from	to	from	to		
Chevrolet	Equinox	2021	2022			All	All
GMC	Terrain	2021	2022				

Involved Region or Country	United States, Canada, Mexico, Middle East, Israel, Palestine, Argentina (Mercosur), Brazil (Mercosur), Colombia (West), Uruguay (West), Uzbekistan, Russia, Israel, Ecuador, Japan, S. Korea and Thailand.
Additional Options (RPOs)	
Condition	Some customers may comment on hearing a squeak noise coming from the passenger side, with the wipers operating.
Cause	The cause of the condition may be that the air inlet grill panel may be contacting the passenger side wiper arm.
Correction	Verify the condition by spraying water on the windshield and operating the wipers. Once verified, add BRS tape, or equivalent, to the air inlet grill panel, following the steps in the Service Procedure below.

Service Procedure



4567730

1. Remove the wiper arms and the air inlet panel from the vehicle. Refer to *Air Inlet Grille Panel Replacement*, in SI.



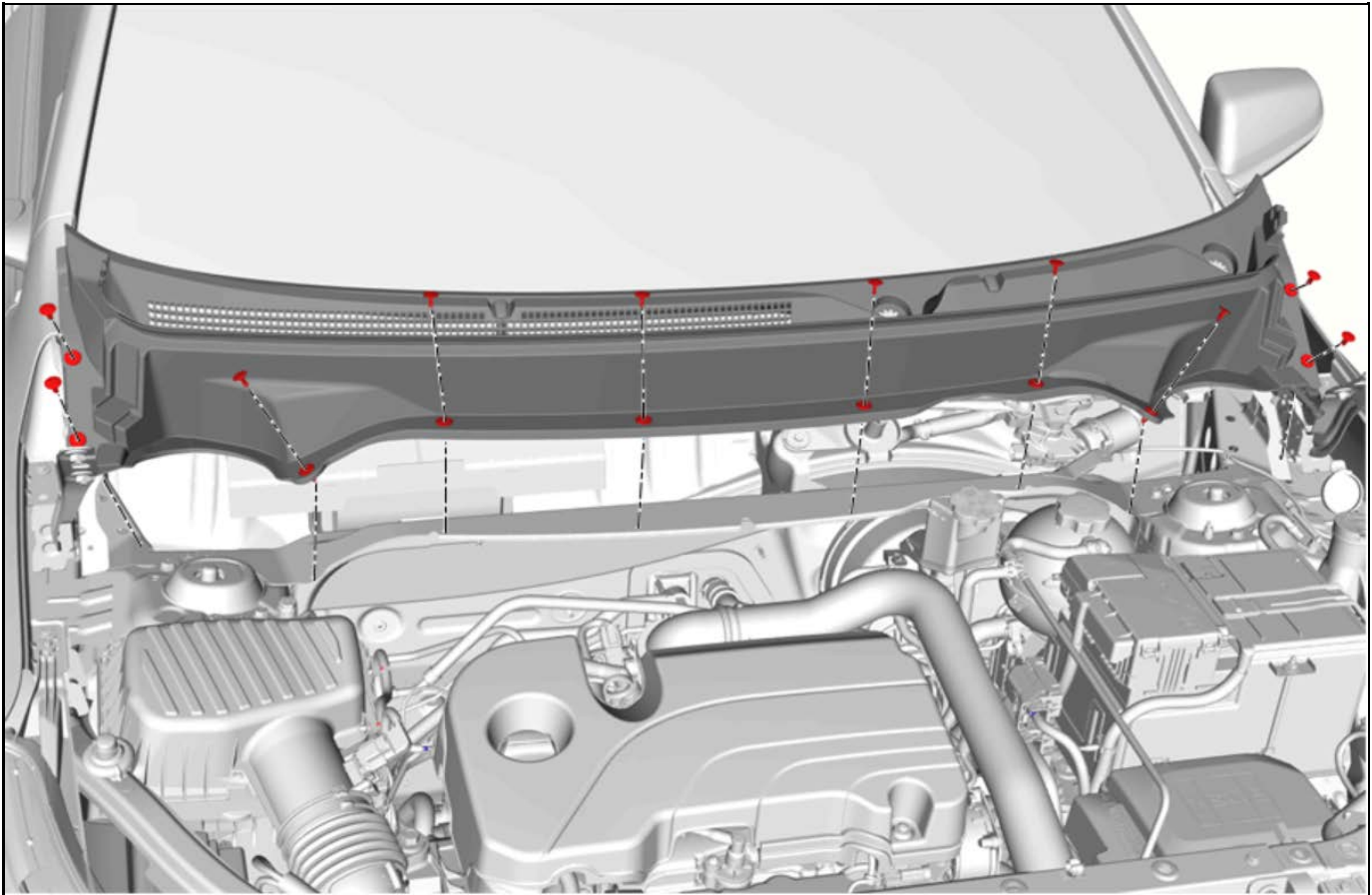
5866935

2. Add a short piece of self-adhering BRS tape, Kent Automotive KT13485, or equivalent, underneath the panel at the TWO hook locations closest to the passenger wiper arm hole.



5866937

Note: Cover the base of hook as shown above.



4567730

3. Re-install the air inlet panel & wiper arms, making sure the seal from panel on the windshield is flat and touching the glass. No raised areas should be seen. Refer to *Air Inlet Grille Panel Replacement*, in SI.

Parts Information

Contact Kent Automotive at 1-888-YES-KENT or online at www.kent-automotive.com.

Causal Part	Description	Part Number
N/A	Kent Automotive BRS Tape	KT13485

Warranty Information

For vehicles repaired under the Bumper-to-Bumper coverage (Canada Base Warranty coverage), use the following labor operation. Reference the Applicable Warranties section of Investigate Vehicle History (IVH) for coverage information.

Labor Operation	Description	Labor Time
2086238*	Install Foam to Air Inlet Grille Panel	0.7 hr
*This is a unique Labor Operation for Bulletin use only.		

Version	1
Modified	Released June 21, 2021

