

June 29, 2021

Version 1

Booming or Humming Noise From Speakers While Driving

AFFECTED VEHICLES

Year	Model	Trim Level	VIN Range
2018-20	Accord Hybrid	ALL	ALL

SYMPTOM

There is a booming or humming noise coming from the speakers while driving at highway speeds.

POSSIBLE CAUSE

The software in the ANC (active noise cancellation) unit is not up to date.

CORRECTIVE ACTION

Replace the ANC unit.

PARTS INFORMATION

Part Name	Part Number	Quantity
Active Noise Control Unit (LX)	39200-TWA-305	1
Active Noise Control Unit (EX)	39200-TWA-AA1	
Active Noise Control Unit (EX-L, Touring)	39200-TWA-AB1	

WARRANTY CLAIM INFORMATION

The normal warranty applies.

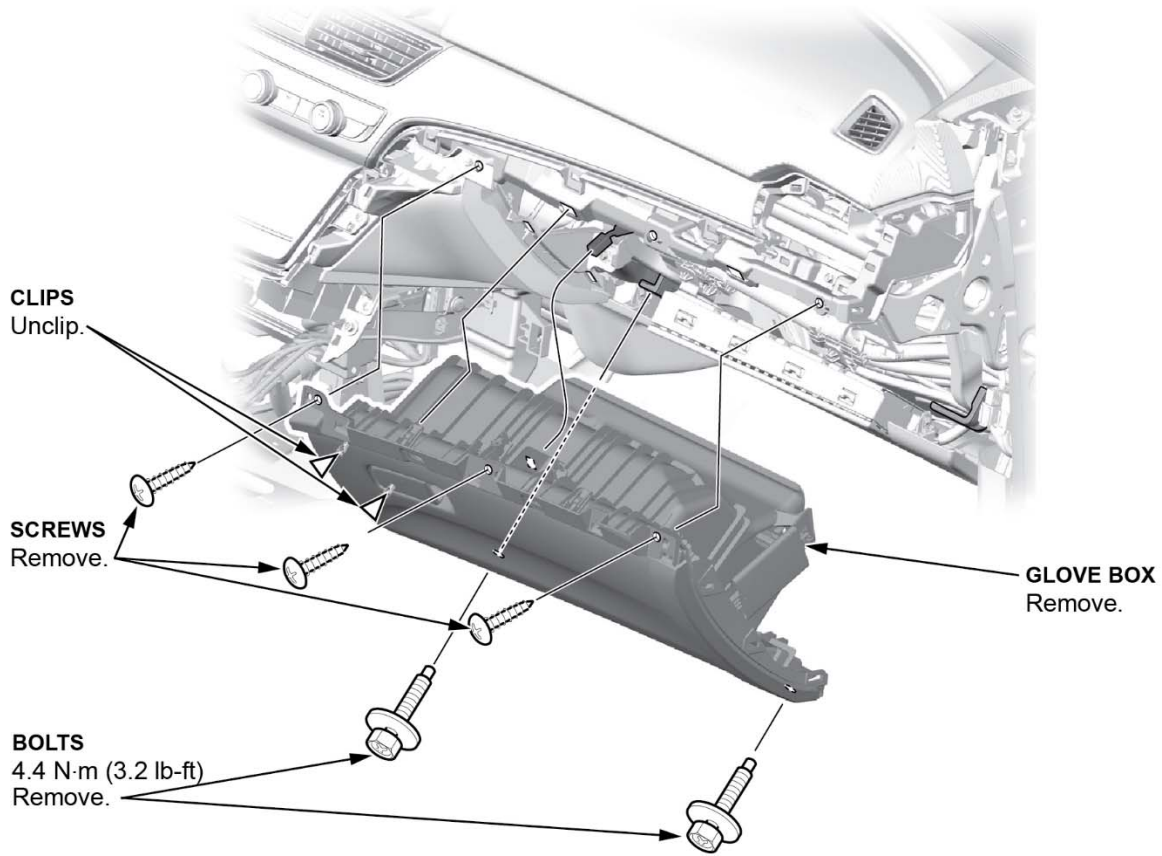
Operation Number	Description	Flat Rate Time	Defect Code	Symptom Code	Template ID	Failed Part Number
0101C9	LX - Replace the ANC unit.	0.3 hr	03214	04201	A21053A	39200-TWA-A11
	EX - Replace the ANC unit.				A21053B	
	EX-L and Touring - Replace the ANC unit.				A21053C	

Skill Level: Repair Technician

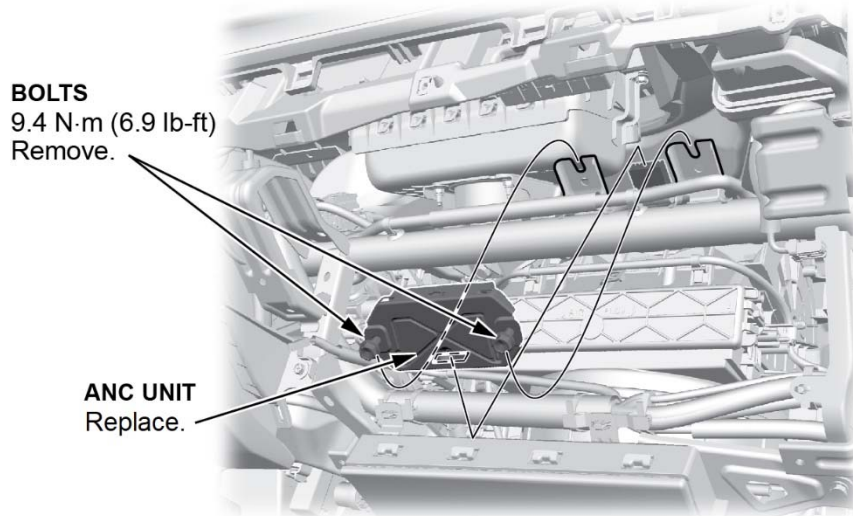
CUSTOMER INFORMATION: The information in this bulletin is intended for use only by skilled technicians who have the proper tools, equipment, and training to correctly and safely maintain your vehicle. These procedures should not be attempted by "do-it-yourselfers," and you should not assume this bulletin applies to your vehicle, or that your vehicle has the condition described. To determine whether this information applies, contact an authorized Honda automobile dealer.

REPAIR PROCEDURE

1. Remove the glove box.



2. Replace the ANC unit.



3. Install the parts in the reverse order of removal.

END