



SPYDER Top Case Lock Adjustment - 138808

[Printable Version](#)

Rate This Article

(Average Rating: No Rating)

[Version 1](#)

Language

English ▼

[Show Properties](#)**Summary:**

Some top cases lock striker might not have adjusted properly and can be open even if locked.

Type:

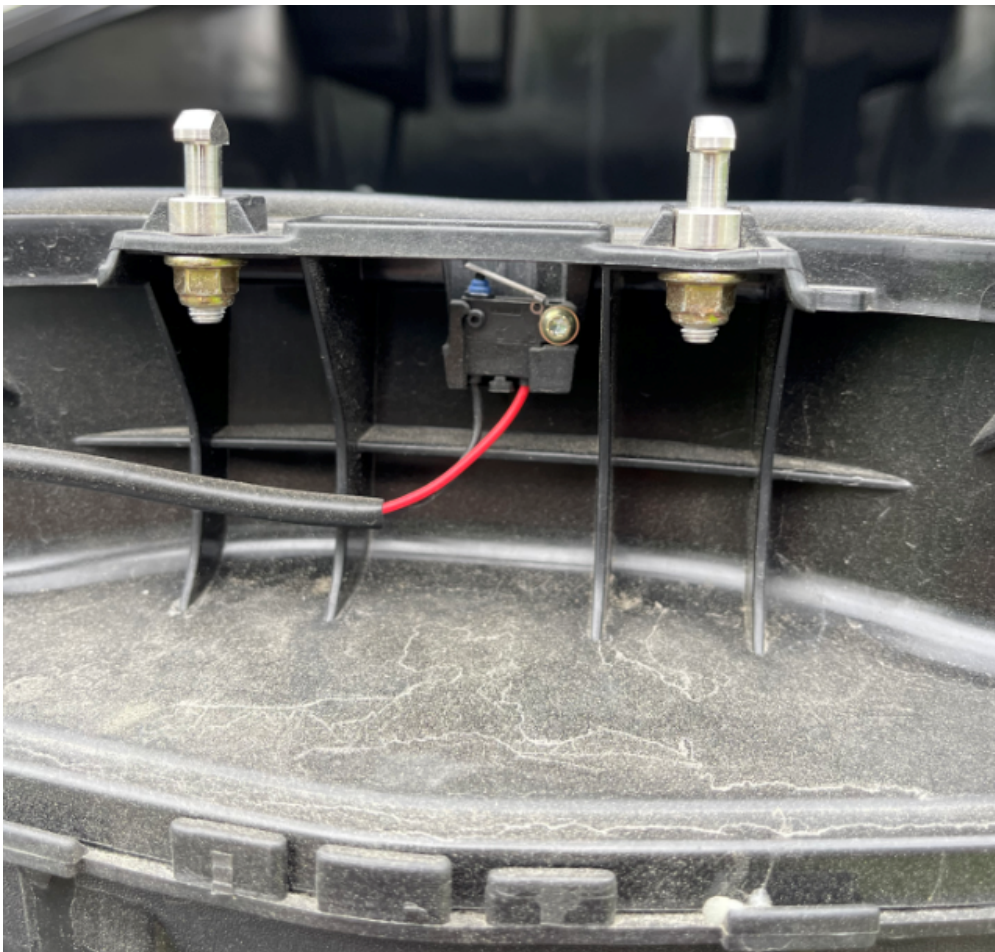
General

TST Detail:**Problem:**

Some top cases lock striker might not have adjusted properly and can be open even if locked.

Solution:

- Open the top case cover
- Remove the small black cover by removing the 2 tuff lock

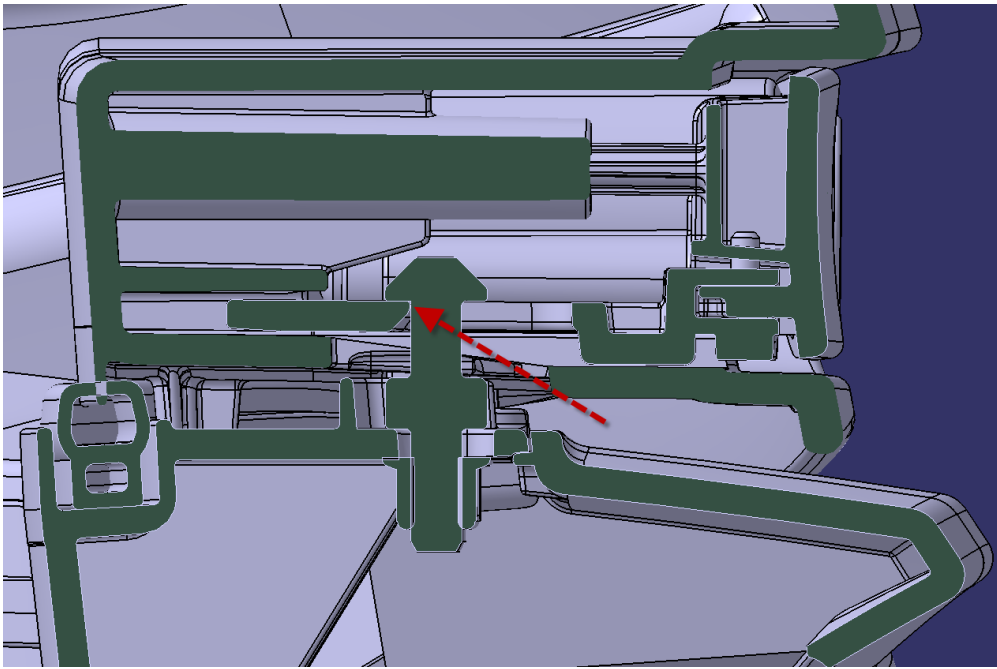


- Use an 8mm wrench, loosen off the striker's nuts and move it forward.
- The average good adjustment is the stud aligned with the plastic dot as shown below



Inspection Procedure:

- The latch needs to be flush with the sticker. If the striker is too forward, it will push the latch and you won't be able to turn the key to lock the top case cover.



Warranty:

Attachment:

First Published By: Eric Fauteux on 2021-06-30
Last Modified By: Eric Fauteux on 2021-06-30