

June 3, 2021

Version 1

The MIL Is Flashing with Loss of Power

AFFECTED VEHICLES

Year	Model	Trim Level	VIN Range
2018–21	Accord	ALL 2.0L Turbo with 10 A/T	ALL

SYMPTOM

The MIL is flashing with a loss of power.

POSSIBLE CAUSE

Humid air within the intake tract may condense and accumulate excessive moisture during steady driving.

CORRECTIVE ACTION

Replace the intercooler and intercooler gasket. Update and aim the millimeter wave radar, then update the PGM-FI software.

PARTS INFORMATION

Part Name	Part Number	Quantity
Intercooler	19710-6A0-A01	1
Intercooler Gasket	19716-6A0-A01	1

WARRANTY CLAIM INFORMATION

The normal warranty applies.

Operation Number	Description	Flat Rate Time	Defect Code	Symptom Code	Template ID	Failed Part Number
1111E1	Replace the intercooler.	0.7 hr	00701	08901	A21052A	19710-6B2-A01
B	Millimeter wave radar unit aim - Add	0.6 hr				
1255D8	Update the PGM-FI software	0.2 hr				

Skill Level: Repair Technician

CUSTOMER INFORMATION: The information in this bulletin is intended for use only by skilled technicians who have the proper tools, equipment, and training to correctly and safely maintain your vehicle. These procedures should not be attempted by "do-it-yourselfers," and you should not assume this bulletin applies to your vehicle, or that your vehicle has the condition described. To determine whether this information applies, contact an authorized Honda automobile dealer.

SOFTWARE INFORMATION

NOTE: Unnecessary or incorrect repairs resulting from a failure to update the diagnostic and reprogramming software are not covered under warranty.

Before beginning the repair, make sure all diagnostic and reprogramming software are updated as listed.

i-HDS Software Version	1.006.033 or later
HDS Software Version	3.104.030 or later
J2534 Rewrite Software Information	
PC Application Version	1.2.1.1
Database Update	12-May-2021 or later
NoticeDB Version	12-May-2021 or later

Update only the systems and software listed in this service bulletin.

American Honda has validated and approved the Denso DST-I as the vehicle communication interface (VCI) to support this service bulletin.

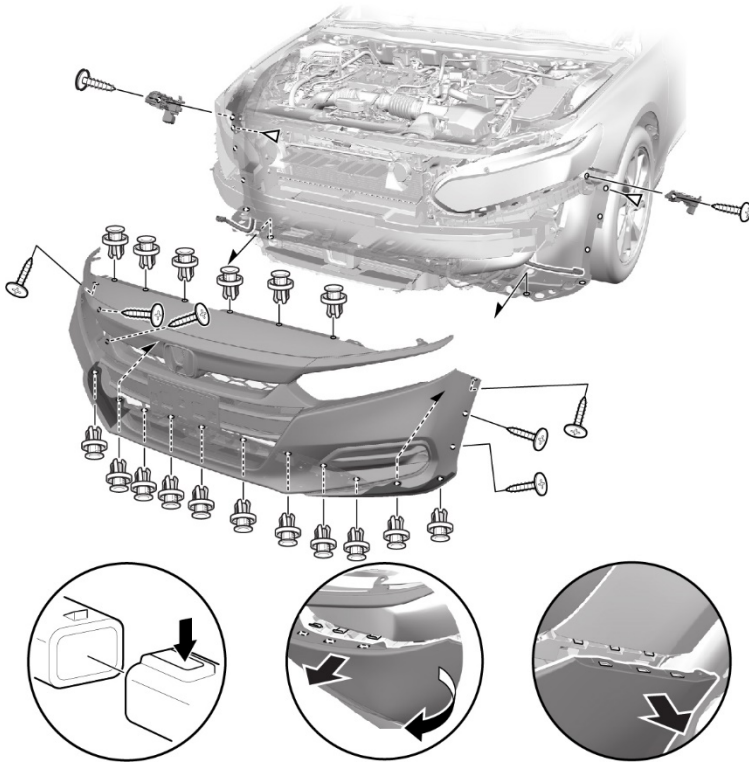
For more information about updating vehicle systems, refer to service bulletin 01-023, *Updating Control Units/Modules*.

Year/Model	Vehicle System	Software
2018–19 Accord EX-L, Sport	PGM-FI	37805-6B2-A570
2018–19 Accord Touring	PGM-FI	37805-6B2-A670
2020 Accord EX-L, Sport	PGM-FI	37805-6B2-A730
2020 Accord Touring	PGM-FI	37805-6B2-A830
2021 Accord Sport	PGM-FI	37805-6B2-A930
2021 Accord Touring	PGM-FI	37805-6B2-C530

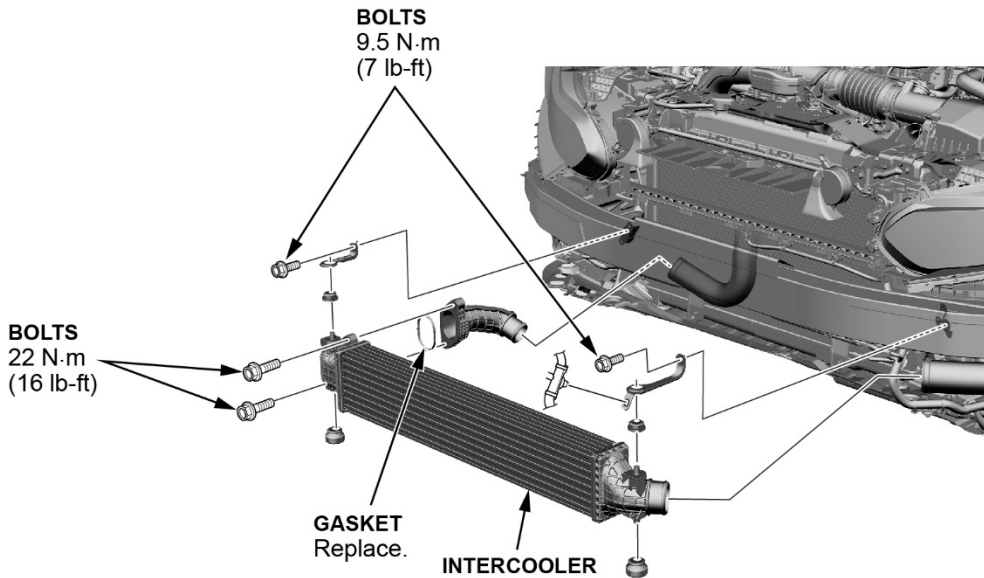
REPAIR PROCEDURE

1. Remove the front bumper.

NOTE: There is no need to remove the wave radar or cover when removing the bumper.



2. Remove the intercooler.



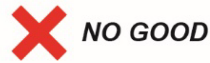
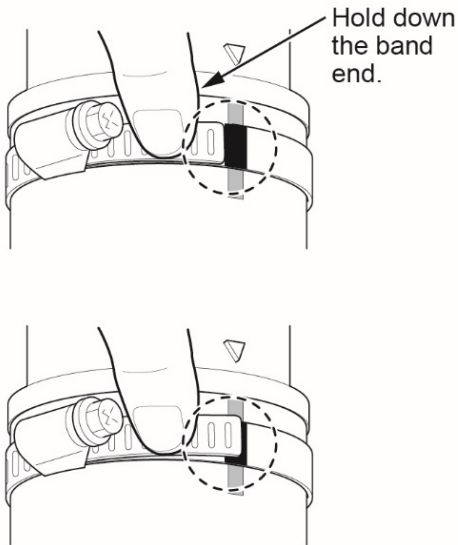
3. Install the new intercooler and gasket, and torque the two bolts mounting the intercooler to **22 N·m (16 lb-ft)** and the two bolts with brackets to **9.5 N·m (7 lb-ft)**.

4. Tighten the hose bands to the specified condition below.



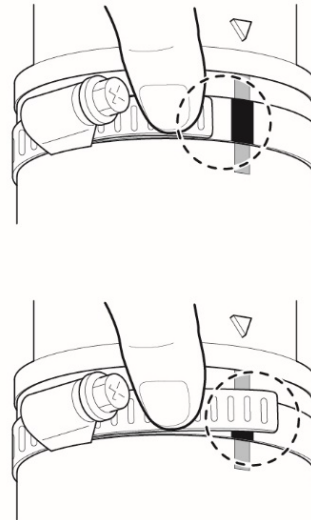
GOOD

The hose band end is **AT** or **WITHIN** the paint or hash mark on the hose band.



NO GOOD

The hose band end is **NOT AT** or **EXCEEDS** the paint or hash mark on the hose band.



5. Install the front bumper.

6. Aim the wave radar assembly. See the service information for the aiming procedure.

7. Update the PGM-FI software and the millimeter wave radar using the J2534 Rewrite software with the DST-i. Refer to service bulletin 01-023, *Updating Control Units/Modules*.

NOTE:

- Make sure the 12-volt battery is fully charged before starting an update.
- Connect a fully charged jumper battery to the vehicle, and leave it connected during the entire procedure to maintain steady voltage.
- Do not use the GR8 because the vehicle requires a steady electrical current.
- Control module failure caused by the improper completion of a software update (early key cycle, low battery voltage, disconnected DLC cable, etc.) is not covered by warranty.
- If an error occurs during the update or the i-HDS freezes, **do not disconnect the battery or turn the ignition to OFF**. Reboot the i-HDS, and start over.
- To prevent control unit damage, do not operate anything electrical (headlights, audio system, brakes, A/C, power windows, door locks, etc.) during the update.

END