

QUARANTINE NOTICE

Reference number:	QN-08-1531	Issued: 26 May, 2021
Subject:	Check and Install Support Bracket Clips for the Clutch Pipe	
Model(s):	Vantage	
VIN Range:	Refer to the separately published list of affected Vehicle Identification Numbers (VINs)	
Applicable to:	UK, United States and Canada	
Distribute to:	After Sales Manager Executive Manager Service Manager Sales Manager	Warranty Staff Technician(s) Parts Staff

Reason for this Quarantine Notice

Aston Martin has found that the support bracket clips for the clutch pipe may not have been installed, or that the incorrect clips have been installed on some vehicles.

This quarantine notice gives the process to check, and if necessary install the support bracket clips for the clutch pipe.

The workshop procedure has the parts that follow:

- Part A - Check the Support Bracket Clips for the Clutch Pipe
- Part B - Install the Support Bracket Clips for the Clutch Pipe

Workshop Procedure

Part A - Check the Support Bracket Clips for the Clutch Pipe

1. Remove the centre undertray (refer to Workshop Manual Procedure 01.02.MB).
2. Examine the clutch pipe area to see if the support bracket clips for the clutch pipe are installed (refer to Figure 1).

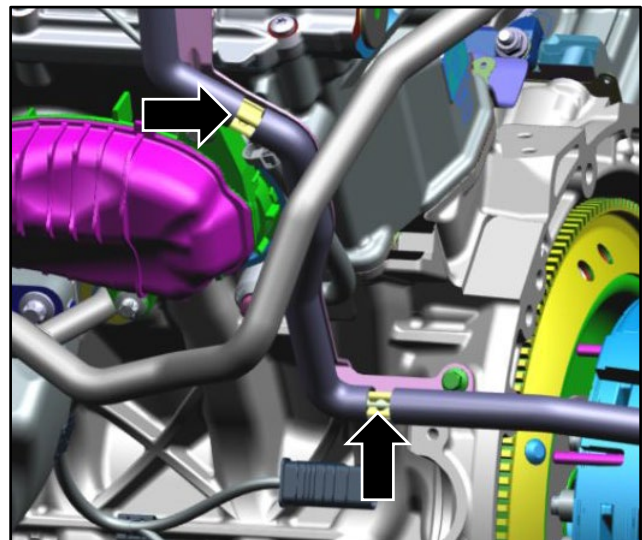


Figure 1

3. Examine the support bracket clips and make sure a locking pin type clip is installed (refer to Figure 2).

Note: If a locking pin type clip is not installed you must do Part B - Install the Support Bracket Clips for the Clutch Pipe.

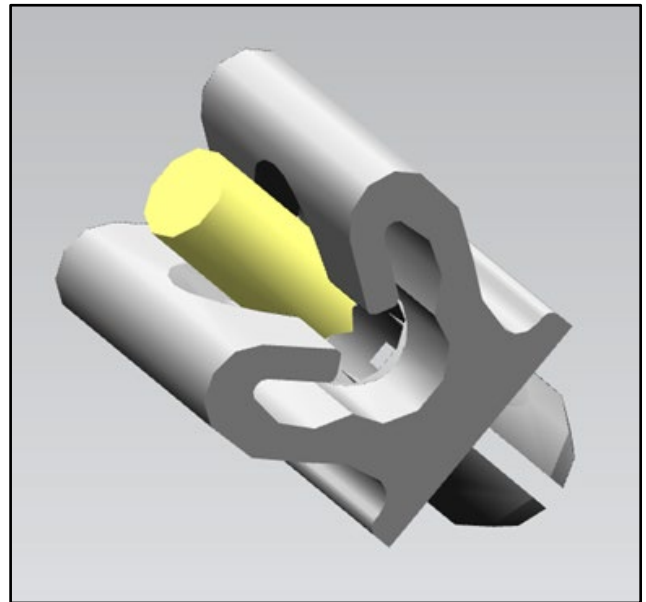


Figure 2

4. If the correct support bracket clips for the clutch pipe are installed no more work is necessary. Install the centre undertray (refer to Workshop Manual Procedure 01.02.MB).
5. If the support bracket clips for the clutch pipe are incorrect or not installed, you must do Part B - Install the Support Bracket Clips for the Clutch Pipe.

Part B - Install the Support Bracket Clips for the Clutch Pipe

1. If the incorrect clips were identified in step 3, remove the two clips for the clutch pipe.
2. Remove the clips from the new support bracket you receive from Parts Operations.
3. Install the new clips to the support bracket installed on the vehicle (refer to Figure 3).

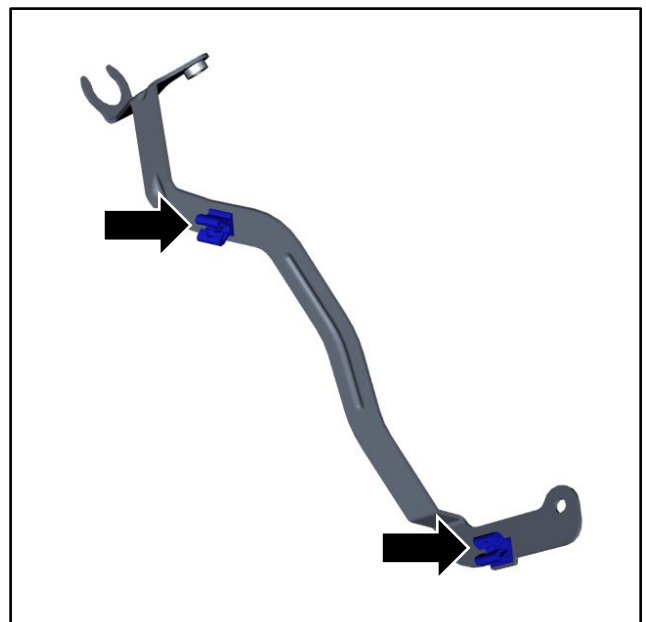


Figure 3

4. Connect the clutch pipe to the support bracket clips.
5. Install the centre undertray (refer to Workshop Manual Procedure 01.02.MB).

Warranty Data**Procedure and Labour Time**

Description	Labour Time
Check the support bracket clips for the clutch pipe	0.7 hours
Install the support bracket clips and connect the clutch pipe	0.2 hours

Part Data

Description	Part Number	Quantity
Support bracket for the clutch pipe	LY63-7T503-AA	1

If you have any questions related to this document, please refer to the 'Contact Us' link on this webpage, or contact your local Dealer or After Sales Manager.

The English version of this document is written in Simplified Technical English to ASD-STE100™.