



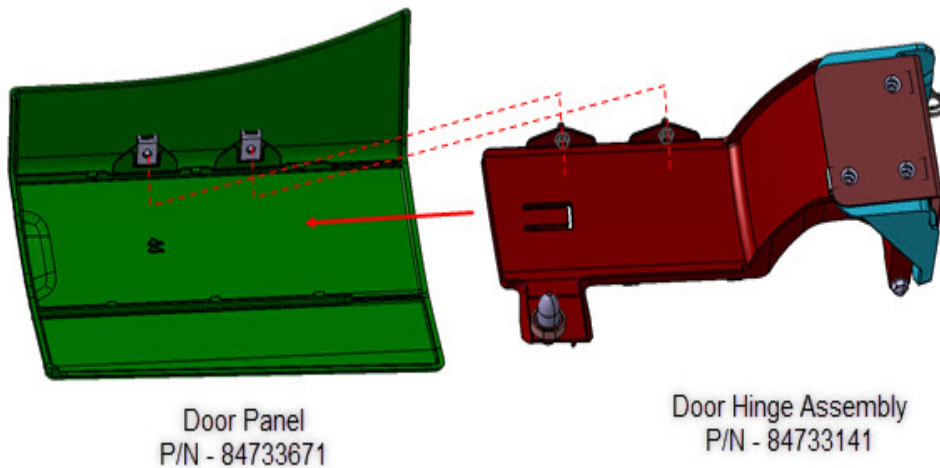
Volvo Chassis - Model VN - Updated Chassis Fairing DEF Door Magnet/Plate

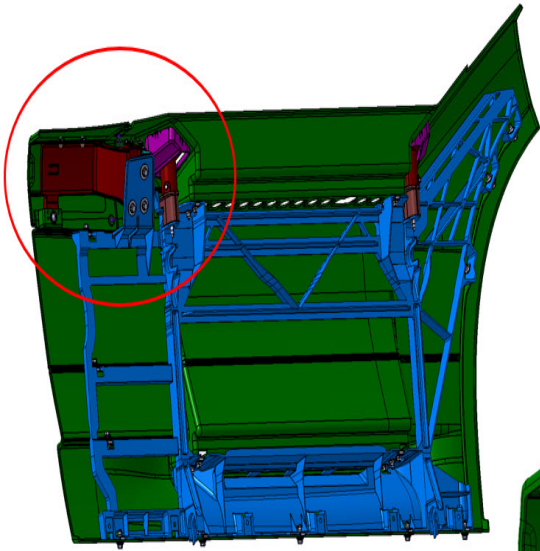


> Internal Content

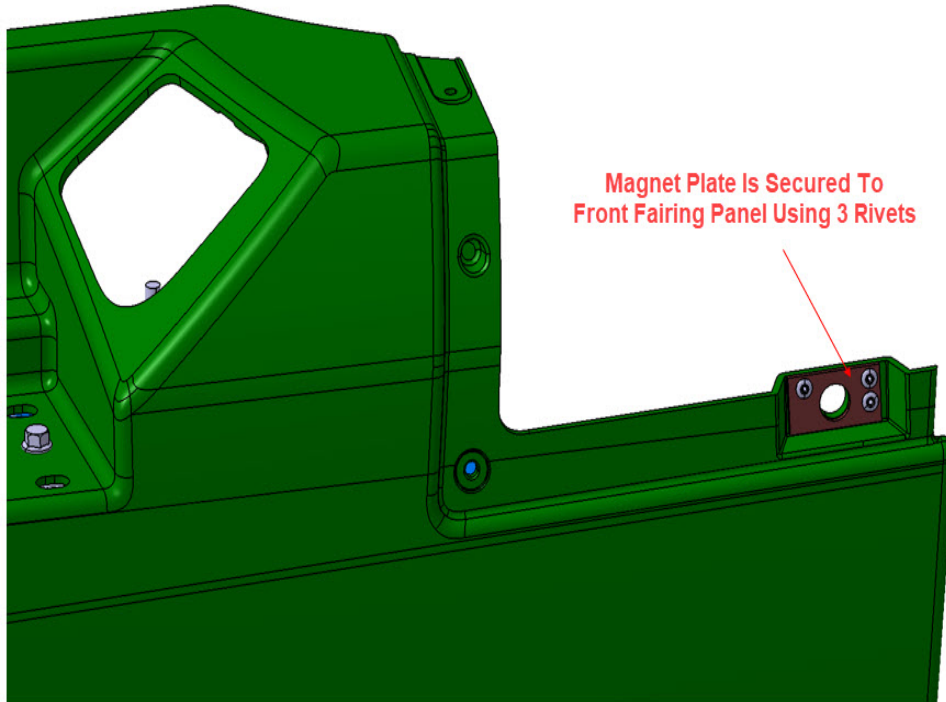
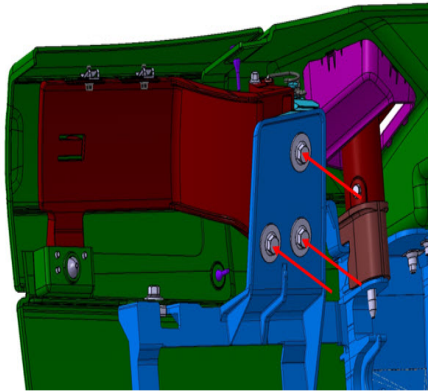
On certain VNL model Volvos built [August 21st, 2017 through January 01, 2021](#) and equipped with chassis fairing p/n 84744212 or 84744213, the DEF fill door in the fairing may become loose or break. A new magnet plate has been introduced to address this issue. The previous style plate Volvo p/n 84744218 comes installed in fairing p/n 84744212 or 84744213 and will have to be removed by drilling out the rivets. The new plate will then be riveted into place.

Door hinge assembly slides into the backside of the door panel and is secured with 2 fasteners at the top





Assembly Of Door And Hinge Is Secured To The Front Fairing Assembly With 3 Bolts



Magnet Plate Is Secured To Front Fairing Panel Using 3 Rivets

Supplies Required

Live UI

Description	P/N	Previous P/N
Rivet	973884	

Drill Bit	IBD	Article
Magnet Plate Bracket	78608216	84744218

Front Fairing Description	Previous P/N	Updated P/N
CHASSIS FAIRING, FRONT LH ASSY SWO	84744212	78608217
CHASSIS FAIRING, FRONT LH ASSY LWO	84744213	78608293



Tags

[def door](#)[vibrate](#)

Related links and attachments

No links or attachments available



Feedback

[Give feedback](#)

to help improve the content of this article