



INSTRUCTION TO SERVICE

ITS: 59213 REV. A		04/30/2021
SECTION:	Option Group 549 HVAC System	
WRITTEN BY:	Scott Geier	
SUBJECT:	Rework AC compressor high side service port	
ISSUE:	90-degree high pressure service port elbow breaking	
SUMMARY:	Replace the 90-degree elbow with a straight adapter fitting.	

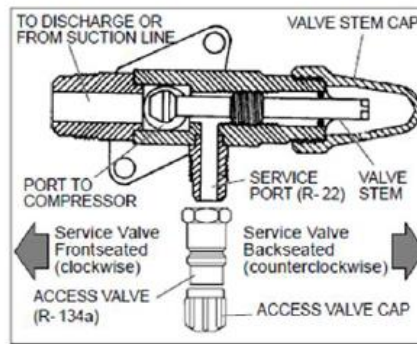
ITS-59213

Ref. NHTSA Recall No.	Ref. Transport Canada Recall No.
Not Applicable	Not Applicable

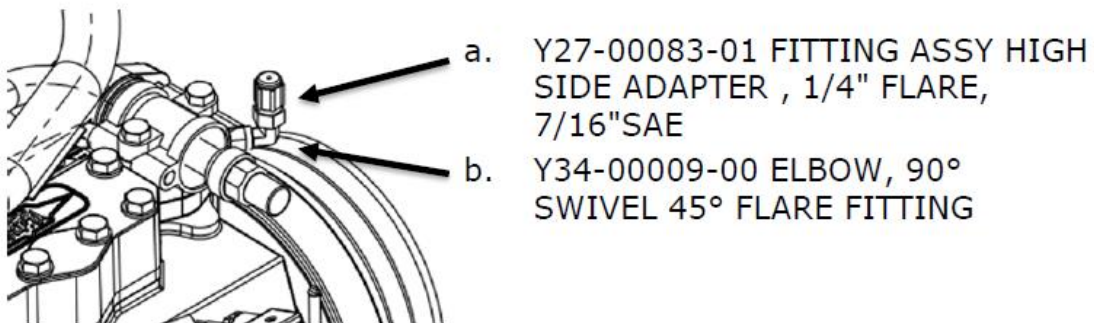
THIS ITS DOCUMENT SHOULD BE RETAINED AND REFERRED TO FOR FUTURE MAINTENANCE UNTIL THE NEW FLYER PARTS AND/OR SERVICE MANUAL IS UPDATED TO REFLECT WORK DONE AS A RESULT OF THIS DOCUMENT. ENSURE THAT THIS DOCUMENT IS AVAILABLE FOR PARTS AND MAINTENANCE STAFF GOING FORWARD.

PROCEDURE:

1. Install A/C manifold Gauges
2. Remove service valve cap 14-00374-99 and make sure valve stem is back-seated (service port closed).



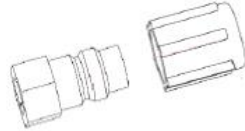
3. Verify no pressure observed on manifold gauges, reference maintenance manual on process to remove refrigerant if pressure found.
4. Remove and discard the below listed parts from service valve Y27-00083-01.



5. Install the O-ring supplied with the fitting, use a blunt plastic tool to properly seat the O-ring before installing the fitting onto the service valve.



- Install new aluminum fitting assembly high side adapter P/N T27-6360 onto 7/16"SAE fitting on service valve Y27-00083-01, torque to 10 N.m (max) and apply torque seal.



See below example of service valve fittings installed



LABOUR ESTIMATE

	Operation	Number of Technician(s)	Hours	Labor Time T X HR
1	Rework AC compressor high side service port	1	0.30	0.30

PARTS REQUIRED

Item	Part Number	Description	Qty. per Coach	Units	Notes
1	T27-6360	Adapter valve fitting assembly	1	EA	MCC part number

SPECIAL TOOLS REQUIRED

Item	Part Number	Description	Qty.	Units	Notes
1	N/A	A/C manifold gauges	1	EA.	