
**Symptom – Body Exterior – Creaking / Squealing When Door Handle Moves In or Out:
Observe Specified Procedure (SY 42/21)**

Model Line: **Taycan (Y1A)**

Model Year: **As of 2020**

Equipment: **Central locking, "Keyless Entry" (M-no. 4F2 / 4F6)**

Concerns: **Door handles**

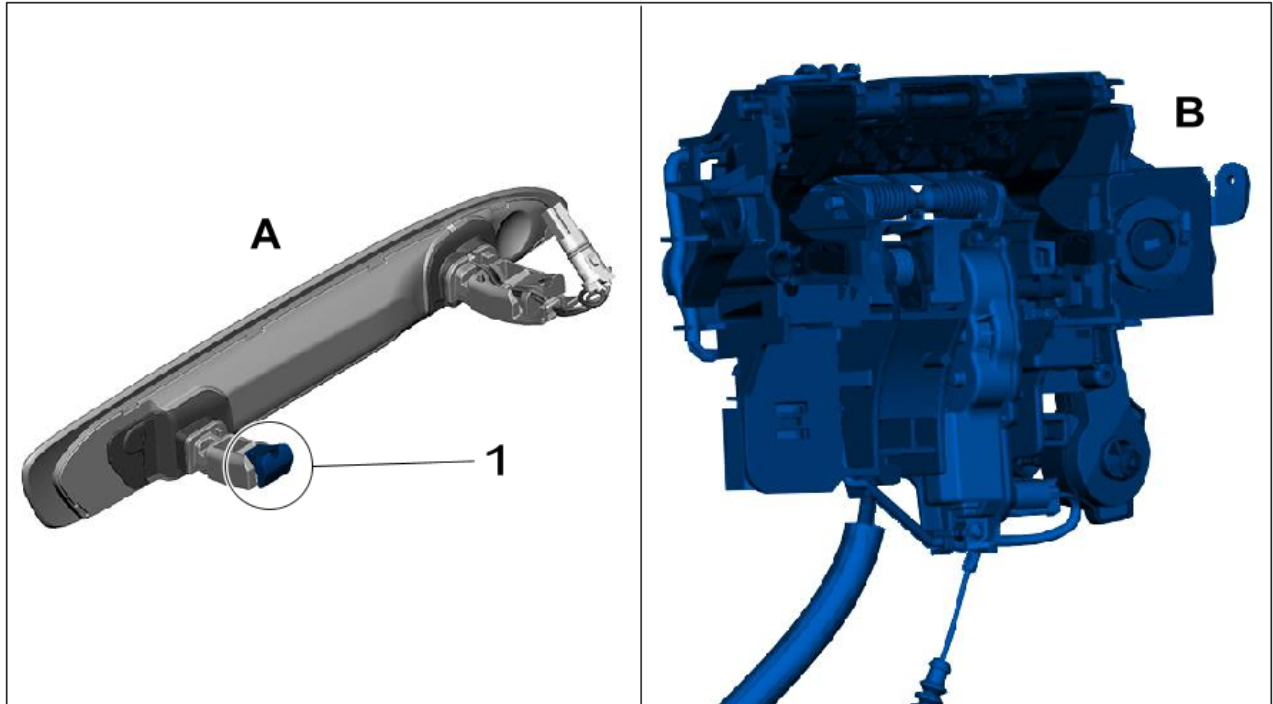
Symptom: The customer complains about creaking or squealing when the door handle moves in or out.

Cause: This may be caused by a defect in the following components:

- Door handle mount
- Door handle (inner part) – (support bow)

Remedial Action: Check door handles for noises and repair them if necessary.

Component overview



Door handle mount and door handle (inner part) – (support bow)

- A – Door handle
- 1 – Door handle mount
- B – Door handle (inner part) – (support bow)

Required parts and materials as required

Parts Info:	Part No.	Designation – Use	Qty.
	9J1898039	⇒ Door handle repair kit – left	2 ea.
	9J1898040	⇒ Door handle repair kit – right	2 ea.
		Only if door handle (inner part) – (support bow) is replaced:	
	9J1800375Y ¹⁾	⇒ Support bow with determined closing – front left (M-no. LOL)	1 ea.
		or	

9J1837886	⇒ Support bow – front right (M-no. LOL)	1 ea.
	or	
9J1800375AY ¹⁾	⇒ Support bow with determined closing – front right (M-no. LOR)	1 ea.
	or	
9J1837885A	⇒ Support bow – front left (M-no. LOR)	1 ea.
	or	
9J1839885	⇒ Support bow – rear left	1 ea.
	or	
9J1839886	⇒ Support bow – rear right	1 ea.
	Only required for front left support bow for M-no. LOL or front right support bow for M-no. LOR	
N 91017402	⇒ Hex flange bolt with multiple-tooth head, M8 x 22 – Door lock	2 ea.

¹⁾ Also specify the chassis number

Materials: **Only if front door handle (inner part) – (support bow) is replaced:**

Part No.	Designation	Qty.
V04015800B	⇒ Adhesive tape	40 x 4,000 mm/ 1.57 x 157.48 in strip ¹⁾

¹⁾ approx. 40 x 200 mm/ 1.57 x 7.87 in required per door

Checking door handles for noises

Work Procedure: 1 Move door handles in and out of the door panel **10** times using the radio key or door lock button.

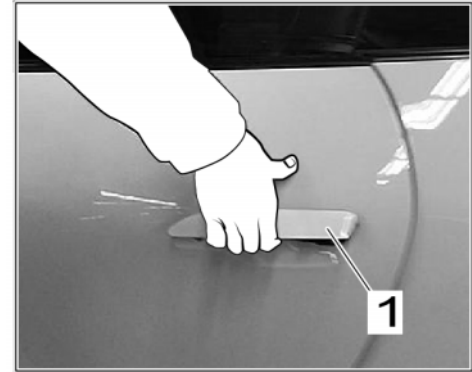
Result of check		Action required
(✓)	No noises can be heard.	The door handles are all right. End of remedial action.
(✗)	You will hear noises.	Continue with Step 2.

2 Locate noises.

- 2.1 Pull the corresponding door handle ⇒ *Door handle -1-* out as far as possible and hold it in this position.
- 2.2 Close the door and lock and unlock the vehicle several times.

**Information**

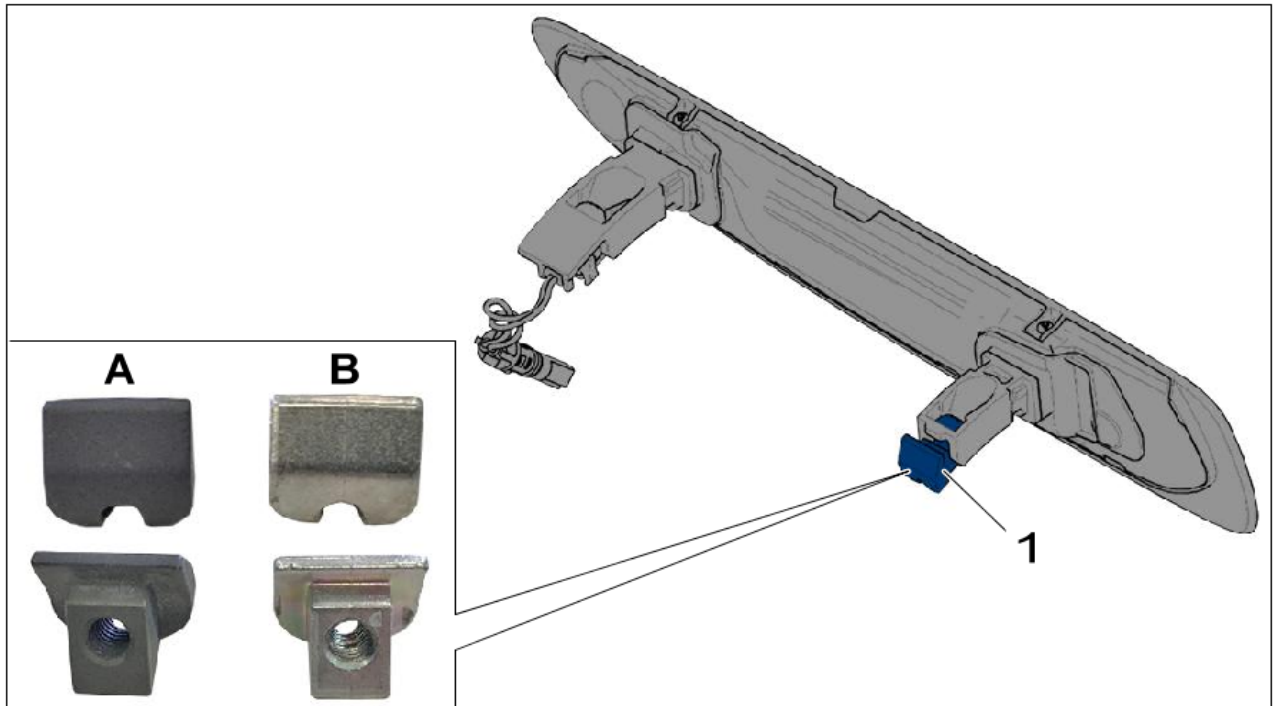
In this way, only the side hinge of the door handle (inner part) moves.



Door handle

Result of check		Action required
(✓)	No noises can be heard during this process.	Door handle mount damaged. Replace mounts of all door handles , see ⇒ <i>Technical Information 'Replacing mounts of exterior door handles'</i> .
(✗)	Noises can be heard during this process.	Door handle (inner part) damaged. <ul style="list-style-type: none"> Replace corresponding door handle (inner part); see ⇒ <i>Workshop Manual '57111903 Removing and installing door handle (inner part)'</i> or ⇒ <i>Workshop Manual '58111903 Removing and installing door handle (inner part)'</i>. and <ul style="list-style-type: none"> Replace mounts of all door handles, see ⇒ <i>Technical Information '58111903 Replacing mounts of exterior door handles'</i>.

Replacing mounts of all door handles

*Door handle mount*

- 1** – Door handle mount
- A** – New door handle mount (with coating)
- B** – Old door handle mount (without coating)

Work

Procedure:

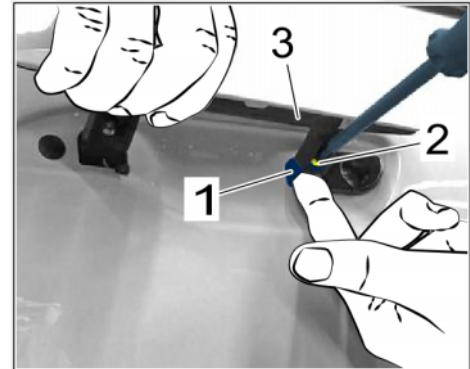
**Information**

You will need a second mechanic to help you with this repair.

- 1 Pull the corresponding door handle ⇒ *Door handle -1-* out as far as possible and hold it in this position.

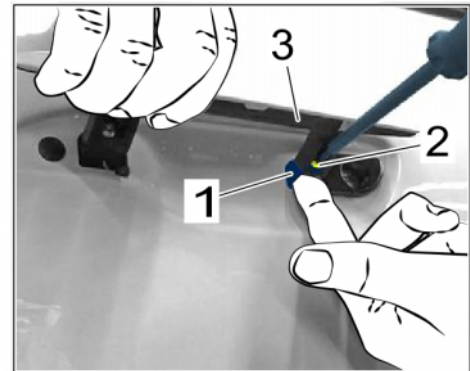
*Door handle*

- 2 Remove door handle mount ⇒ *Door handle mount -1-*.
 - 2.1 Support the door handle mount ⇒ *Door handle mount -1-* with your index finger.
 - 2.2 Unscrew screw ⇒ *Door handle mount -2-* and set aside.
 - 2.3 Remove door handle mount ⇒ *Door handle mount -1-* downwards from the door handle ⇒ *Door handle mount -3-*.



Door handle mount

- 3 Install **new** door handle mount ⇒ *Door handle mount -1-*.
 - 3.1 Place door handle mount ⇒ *Door handle mount -1-* on index finger and position it on the door handle ⇒ *Door handle mount -3-*.
 - 3.2 Screw in screw ⇒ *Door handle mount -2-* and tighten to **Tightening torque 2 Nm (1.5ftlb.)**.
- 4 Repeat the process for other door handles.



Door handle mount

Invoicing

Invoicing: For documentation and warranty invoicing, enter the labor operations, PQIS coding and part numbers specified below in the warranty claim:

APOS	Labor operation	I No.
57110240	Checking front door handles	
57115040	Reworking front door handles	
57111903	Removing and installing left front door handle	
57111904	Removing and installing right front door handle	
58110240	Remove and installing right rear door handle	
58115040	Reworking rear door handles	
58111903	Removing and installing left rear door handle	
58111904	Removing and installing right rear door handle	

PQIS coding:

Location (FES5)	57110	Door handle
Damage type (SA4)	2000	Noises

Parts Info:

Part No.	Designation	Qty.
9J1898039	Door handle repair kit	2 ea.
9J1898040	Door handle repair kit	2 ea.

Only if door handle (inner part) is replaced:

9J1800375Y	Storage bow with determined closing	1 ea.
	or	
9J1837886	Supporting bow	1 ea.
	or	
9J1800375AY	Storage bow with determined closing	1 ea.
	or	
9J1837885A	Supporting bow	1 ea.
	or	
9J1839885	Supporting bow	1 ea.
	or	
9J1839886	Supporting bow	1 ea.

Only if front door handle (inner part) is replaced:

V04015800B	Adhesive tape	About 40 x 200 mm/ 1.57 x 7.87 in
	Only required for front left support bow for M-no. LOL or front right support bow for M-no. LOR	
N 91017402	Hex flange bolt with multiple-tooth head, M8 x 22 – Door lock	2 ea.

References: ⇒ *Workshop Manual '57111903 Removing and installing door handle (inner part)'*
 ⇒ *Workshop Manual '58111903 Removing and installing door handle (inner part)'*

Important Notice: Technical Bulletins issued by Porsche Cars North America, Inc. are intended only for use by professional automotive technicians who have attended Porsche service training courses. They are written to inform those technicians of conditions that may occur on some Porsche vehicles, or to provide information that could assist in the proper servicing of a vehicle. Porsche special tools may be necessary in order to perform certain operations identified in these bulletins. Use of tools and procedures other than those Porsche recommends in these bulletins may be detrimental to the safe operation of your vehicle, and may endanger the people working on it. Properly trained Porsche technicians have the equipment, tools, safety instructions, and know-how to do the job properly and safely. Part numbers listed in these bulletins are for reference only. The work procedures updated electronically in the Porsche PIWIS diagnostic and testing device take precedence and, in the event of a discrepancy, the work procedures in the PIWIS Tester are the ones that must be followed.

© 2021 Porsche Cars North America, Inc.