

Daimler Trucks

North America LLC

Customer Advisory Letter

05/12/2021

CAL FTL 42-004

Subject: Drive Axle Drum Brake S-Cam U-Bolt Replacement

Models Affected: Model year 2017 through 2022 Freightliner New Cascadia vehicles manufactured between November 10, 2016 and December 22, 2020 with drive axle drum brakes and intermediate track axles

Our records indicate that you are the owner of a New Cascadia built during the above time period. Therefore DTNA has decided to share the following documentation with you.

05/12/2021

CAL FTL 42-004

Work Instructions

Subject: Drive Axle Drum Brake S-Cam U-Bolt Replacement

Models Affected: Model year 2017 through 2022 Freightliner New Cascadia vehicles manufactured between November 10, 2016 and December 22, 2020 with drive axle drum brakes and intermediate track axles

Work Instructions

Replace the existing drive axle brake S-cam support U-bolts with new versions provided to you by your DTNA Field Representative as outlined in the following instructions.

1. Park the vehicle on a level surface, shut down the engine, and apply the parking brakes. Chock the tires.
2. Remove and discard the original S-cam support U-bolt. See **Fig. 1**.

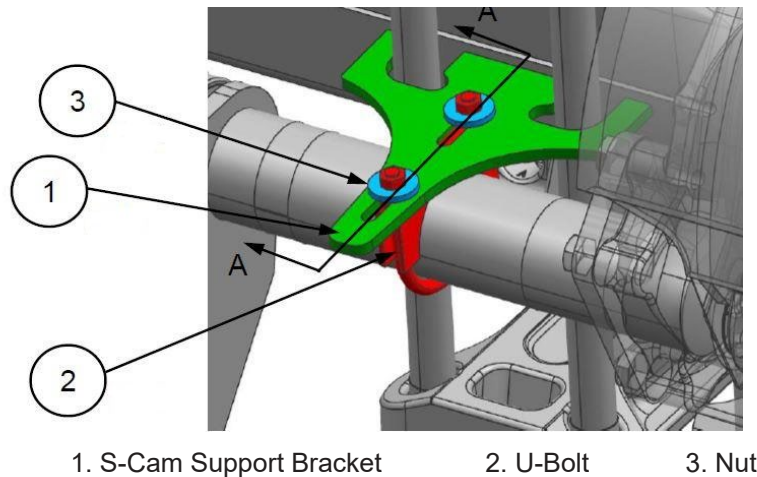


Fig. 1, S-Cam Support

3. Install the new U-bolt provided by your DTNA Field Representative.
4. Torque the nuts to 11 lbf•ft (15 N•m).
5. Document all vehicles retrofitted with the new U-bolt; send this documentation to your DTNA Field Representative.