



# Technical Service Bulletin

## 00 Bolts for the charging station are missing

00 21 45 2063335/1 May 17, 2021.

Model(s)	Year	VIN Range	Vehicle-Specific Equipment
Audi e-tron quattro, Audi e-tron Sportback	2021	All	e-tron

## Condition

### Customer states:

- Bolts for securing the input plug to the charging station are missing.

## Technical Background

Bolts (part number 9Y0 927 129) for securing the connector in the charging unit have been discontinued (Figures 1 - 2).

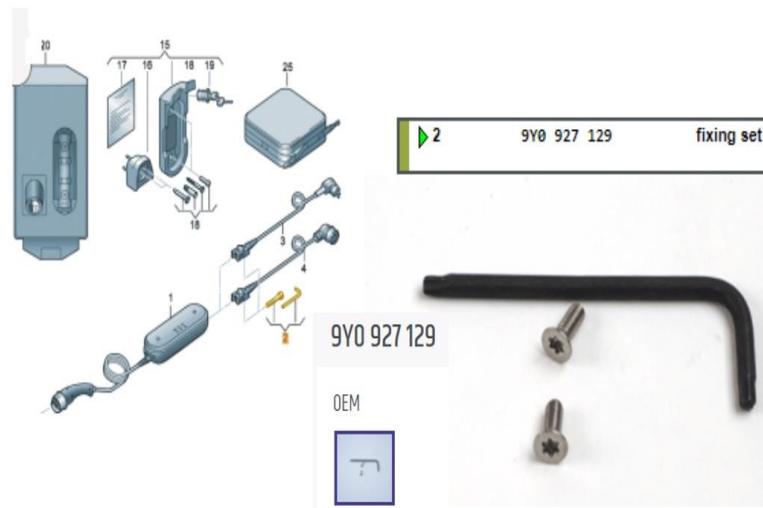
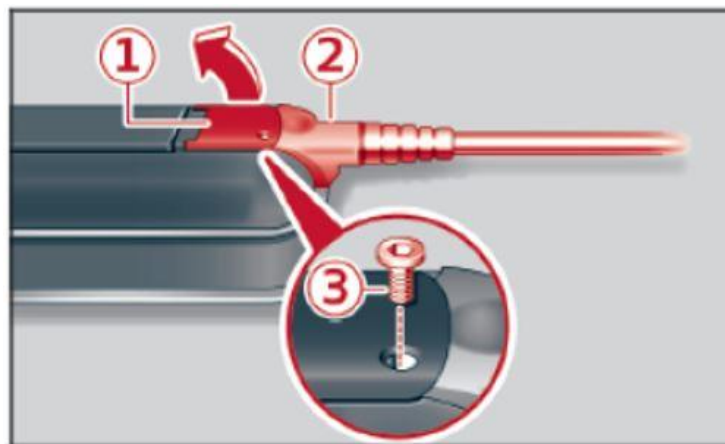


Figure 1. Bolts.



# Technical Service Bulletin

---



*Figure 2. The location where the bolts used to be installed.*

## Production Solution

As of production date 01/11/2021, the fixing bolts can be ordered via the parts system if the customer desired them but cannot be invoiced under warranty.

## Service

Claims for replaced parts will not be reimbursed.

## Warranty

This TSB is informational only and not applicable to any Audi Warranty.

## Additional Information

All part and service references provided in this TSB (2063335) are subject to change and/or removal. Always check with your Parts Department and/or ETKA for the latest information and parts bulletins. Please check the Repair Manual for fasteners, bolts, nuts, and screws that require replacement during the repair.

©2021 Audi of America, Inc. All rights reserved. The information contained in this document is based on the latest information available at the time of printing and is subject to the copyright and other intellectual property rights of Audi of America, Inc., its affiliated companies, and its licensors. All rights are reserved to make changes at any time without notice. No part of this document may be reproduced, stored in a retrieval system, or transmitted in any form or by any means, electronic, mechanical, photocopying, recording, or otherwise, nor may



# Technical Service Bulletin

---

these materials be modified or reposted to other sites, without the prior expressed written permission of the publisher.