



Technical Service Bulletin

19 Coolant level warning light on with coolant marks on the coolant pump - 4.0 TFSI

19 21 17 2048936/3 May 6, 2021. Supersedes Technical Service Bulletin Group 19 number 20-01 dated February 13, 2020 for reasons listed below.

Model(s)	Year	VIN Range	Vehicle-Specific Equipment
S6, RS 6, and S7	2013 - 2018	All	4.0 TFSI
RS 6+, RS 7+	2016 - 2018	All	4.0 TFSI
RS 7	2014 - 2018	All	4.0 TFSI
A8, S8	2013 - 2017	All	4.0 TFSI
S8+	2016 - 2017	All	4.0 TFSI

Condition

REVISION HISTORY		
Revision	Date	Purpose
3	-	Revised <i>Warranty</i> (Updated Labor Operations)
2	02/13/2020	Revised title Revised <i>Warranty</i> (Updated Labor Operations and removed test drive)
1	09/20/2017	Initial publication

Customer states:

- Coolant level warning light on.
- The vehicle loses or is leaking coolant.



Technical Service Bulletin

Workshop findings:

- There are coolant marks in the area of the coolant pump housing (Figure 1, position 12), the coolant connector union (Figure 1, position 7) or the thermostat housing (Figure 1, position 14).
- After cleaning the coolant marks off and performing another leakage test, check for **fresh** coolant marks on the coolant pump drive (Figures 2 - 6).

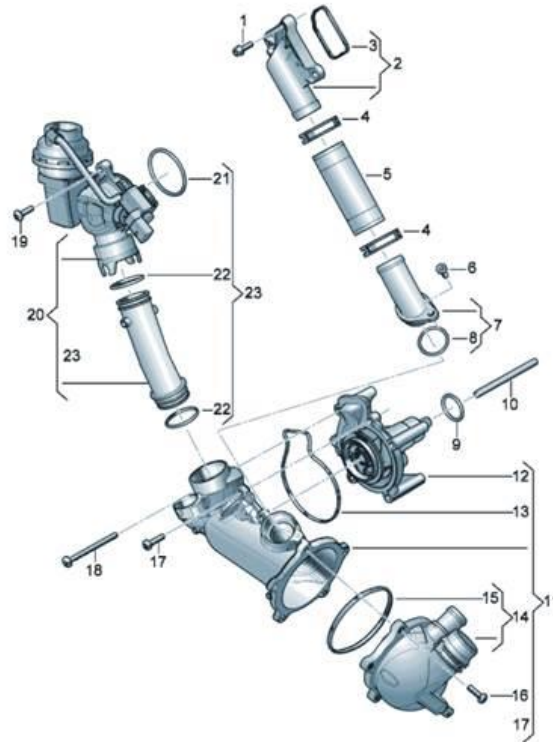


Figure 1. View position complete water pump assembly (rear view).



Figure 2. Coolant marks in the plug of the coolant pump housing.



Technical Service Bulletin



Figure 3. Coolant marks on the flange of the coolant pump housing.



Figure 4. Coolant marks on the flange of the thermostat housing.



Technical Service Bulletin



Figure 5. Coolant marks on coolant connector union.



Figure 6. Areas where coolant marks can be found.

Technical Background

The coolant pump housing is sealed off with a slip ring seal to the input shaft. To prevent the seal from drying up, a minor coolant leak is necessary to lubricate the seal.

If coolant marks are detected in the area of the coolant pump housing during service and there is no customer concern about coolant level/loss, a replacement of the coolant pump housing is not allowed.



Technical Service Bulletin

Production Solution

Not applicable.

Service

1. Fully complete the attached worksheet and attach it to the repair order.
2. Remove the coolant marks and bleed the cooling system according to the repair manual. Then check the cooling system for leaks according to the repair manual:
 - If there is no new leak visible on the coolant pump, **do not** perform any further repairs.
3. If a new coolant leak is detected and can be assigned to a component, take a photo of the **renewed** leak and attach it to the repair order.
4. If there is a coolant leak in the area of the coolant connector union a replacement of the O- ring only (Figure 1, position 8) is sufficient.



Note:

In the case of insufficiently documented repair orders, the warranty claim may be denied.

Warranty

Claim Type:	<ul style="list-style-type: none"> • 110 up to 48 Months/50,000 Miles. • G10 for CPO Covered Vehicles – Verify Owner. • If the vehicle is outside any warranty, this Technical Service Bulletin is informational only. 		
Service Number:	<ul style="list-style-type: none"> • 1950 without any parts/replacement of the coolant pump • 1961 replace O-ring on coolant connector union 		
Damage Code:	0050		
Labor Operations:	All models:		
	Remove + reinstall front dampening pan Must only be used if O-ring is not replaced	1082 1900	See SRT with associated operations
	Clean coolant pump	1950 2999	10 TU



Technical Service Bulletin

	Cover (plenum) remove + reinstall	8522 1900	See SRT with associated operations
	Bleed cooling system, check for leaks	1938 0799	80 TU
	A8 and S8:		
	Replace O-ring on connector union	1961 5599	160 TU
	S6, S7, and RS 7:		
	Remove + reinstall cooling fan housing	1920 19XX	See SRT with associated operations
	Replace O-ring on connector union	1961 5599	20 TU
Diagnostic Time:	GFF	No allowance	0 TU
	Road test prior to service procedure	No allowance	0 TU
	Road test after service procedure	No allowance	0 TU
Claim Comment:	As per TSB #2048936/3		

All warranty claims submitted for payment must be in accordance with the *Audi Warranty Policies and Procedures Manual*. Claims are subject to review or audit by Audi Warranty.

Required Parts and Tools

Tool Number	Tool Description
VAG1274/8	Adapter
VAG1274/10	Adapter
VAG1274B	Adapter
VAS 6096	Cooling system pressure tester

Additional Information



Technical Service Bulletin

All parts and service references provided in this TSB (2048936) are subject to change and/or removal. Always check with your Parts Department and/or ETKA for the latest information and parts bulletins. Please check the Repair Manual for fasteners, bolts, nuts, and screws that require replacement during the repair.

©2021 Audi of America, Inc. All rights reserved. Information contained in this document is based on the latest information available at the time of printing and is subject to the copyright and other intellectual property rights of Audi of America, Inc., its affiliated companies and its licensors. All rights are reserved to make changes at any time without notice. No part of this document may be reproduced, stored in a retrieval system, or transmitted in any form or by any means, electronic, mechanical, photocopying, recording, or otherwise, nor may these materials be modified or reposted to other sites without the prior expressed written permission of the publisher.