

ATTENTION:

- GENERAL MANAGER
- PARTS MANAGER
- CLAIMS PERSONNEL
- SERVICE MANAGER

IMPORTANT - All Service Personnel Should Read and Initial in the boxes provided, right.

© 2021 Subaru of America, Inc. All rights reserved.



QUALITY DRIVEN® SERVICE

PRODUCT CAMPAIGN BULLETIN

APPLICABILITY: 2017-2019 MY Impreza
2018-2019 MY Crosstrek

NUMBER: WRE-21R

DATE: 04/23/21

SUBJECT: Ignition Coil Replacement

NHTSA ID: 21V-264

REVISED: 04/30/21

INTRODUCTION:

Subaru of America, Inc. (Subaru) is recalling certain 2017-2019 model year Impreza and 2018-2019 model year Crosstrek vehicles to check and, if necessary, update the ECM programming, and to replace all four ignition coils in each vehicle.

This recall supersedes Subaru’s previous WUQ-02 ignition coil reprogramming recall issued in October 2019. Effective April 23, 2021, any open WUQ-02 recall coverage has been expired, and WUQ-02 recall repairs should no longer be performed after that date.

All vehicles previously affected by the WUQ-02 recall are now affected by this new recall and must return to complete the WRE-21 recall repair.

DESCRIPTION OF THE DEFECT AND SAFETY RISK:

Subaru has determined that the ECM reprogramming was effective for vehicles that were repaired under previous recall WUQ-02. However, as a result of further analysis, Subaru has determined that all four ignition coils should be replaced to prevent the condition described below.

Under certain circumstances, the ignition coil may be energized longer than designed after the engine is OFF. If the ignition coil remains energized for too long, the internal temperature of ignition coil may increase which could cause a short circuit and a blown fuse. If a short circuit occurs while the vehicle is in motion, the vehicle may experience a loss of motive power while driving without the ability to immediately restart the engine.

If a short circuit in the ignition coil occurs while the vehicle is in motion, the vehicle may experience a loss of motive power while driving without the ability to immediately restart the engine, increasing the risk of a crash.

CAUTION: VEHICLE SERVICING PERFORMED BY UNTRAINED PERSONS COULD RESULT IN SERIOUS INJURY TO THOSE PERSONS OR TO OTHERS.

Subaru Service Bulletins are intended for use by professional technicians ONLY. They are written to inform those technicians of conditions that may occur in some vehicles, or to provide information that could assist in the proper servicing of the vehicle. Properly trained technicians have the equipment, tools, safety instructions, and know-how to do the job correctly and safely. If a condition is described, DO NOT assume that this Service Bulletin applies to your vehicle, or that your vehicle will have that condition.

Subaru of America, Inc. is ISO 14001 Compliant

ISO 14001 is the international standard for excellence in Environmental Management Systems. Please recycle or dispose of automotive products in a manner that is friendly to our environment and in accordance with all local, state and federal laws and regulations.

Continued...

AFFECTED VEHICLES:

The number of U.S. vehicles affected by this recall is 466,205.

Model Year	Carline	Production Date Range
2017-2019	Impreza 4D	7/1/2016 - 6/17/2019
2017-2019	Impreza 5D	7/1/2016 - 6/17/2019
2018-2019	Crosstrek	5/09/17 – 5/08/2019

Not all vehicles in the production date ranges listed above are affected by this recall. Coverage must be confirmed by using the Vehicle Coverage Inquiry function on subarunet.com prior to repair. This recall coverage information is now available.

Over the next several weeks, prior to owner notification, Subaru will be receiving air shipments of the parts needed to support the launch of this recall. Therefore, the status of the WRE-21 recall will display as “Open – Limited Parts Available” until the owner notification letters are released in June.

This status is for informational purposes and will not prevent the ability for retailers to perform and claim reimbursement for this repair prior to owner notification. Once the owner notification letters are released, the status will be updated to “Open.”

DESCRIPTION OF THE REMEDY:

For all vehicles included in this recall, Subaru retailers will check and, if necessary, update the ECM programming, and replace all four ignition coils at no cost to the customer. If a certain DTC is found to be stored, Subaru will replace the front exhaust pipe at no cost as well.

RETAILER RESPONSIBILITY:

Any vehicles listed in any recall/campaign that are in retailer stock must be:

- Immediately identified
- Tagged or otherwise marked to prevent their delivery or use prior to repair
- Repaired in accordance with the repair procedures outlined in the Product Campaign Bulletin

Retailers are to promptly perform the applicable service procedures to correct all affected vehicles in their inventory (used, demo & SSLP). Additionally, whenever a vehicle subject to this recall is taken into retailer inventory necessary steps should be taken to ensure the recall correction has been made before selling or releasing the vehicle.

Please be sure to download a copy of your complete inventory report from the [Vehicle Inventory Dashboard](#) available on subarunet.com to identify any vehicles with open recalls that may be in your retail, CPO, and SSLP inventory. Affected vehicles will show an Open Recall column indicator (Y).

OWNER NOTIFICATION:

Subaru will notify affected vehicle owners by first class mail in June. Retailers will be advised when the notification is scheduled.

Continued...

PART INFORMATION:

IMPORTANT NOTES:

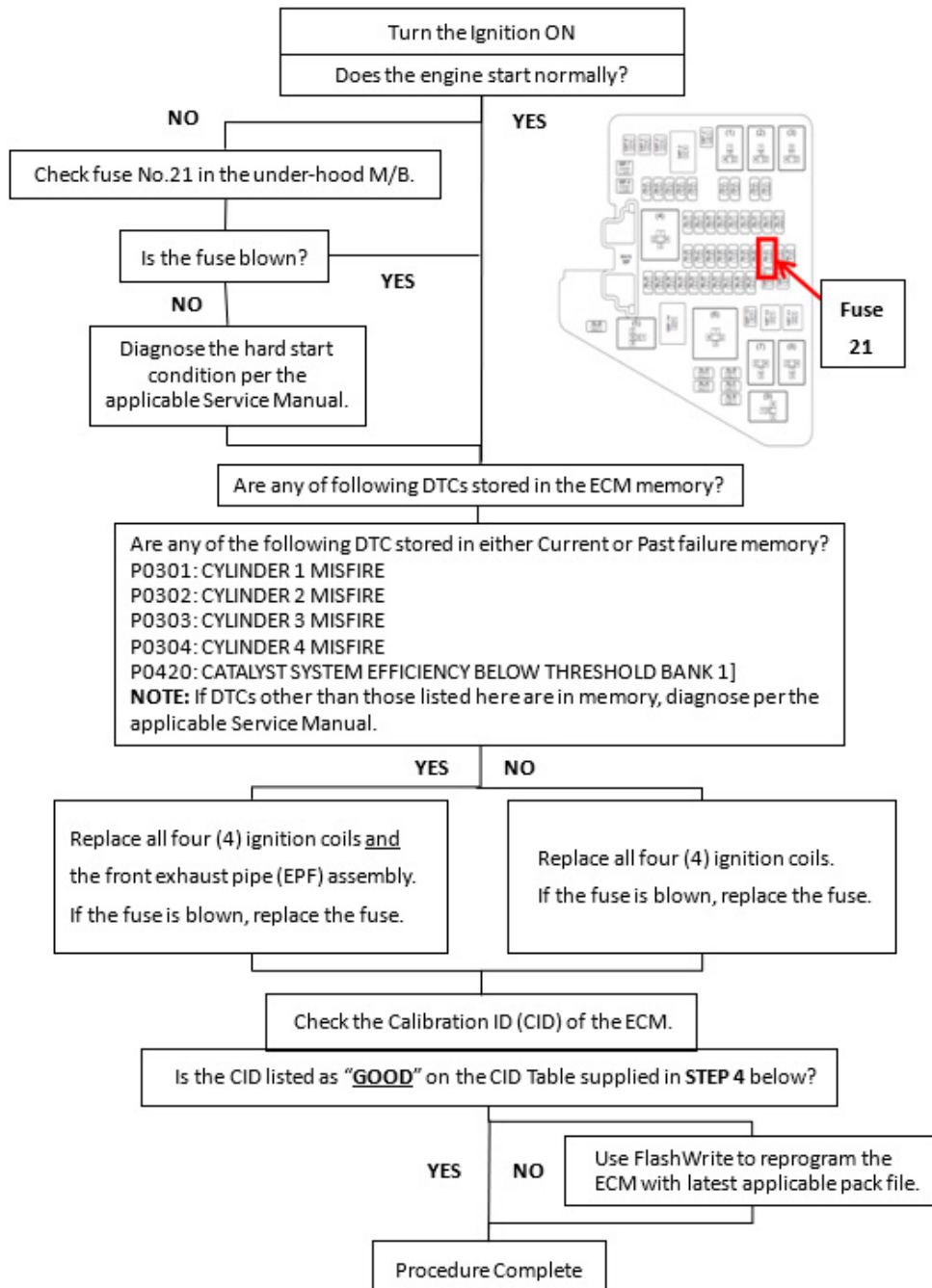
- A quantity of FOUR (4) ignition coils must be ordered to repair ONE (1) vehicle.
- All orders for these ignition coils must be placed through PRIME only.

Description	Part Number	Qty. Required
COIL ASSEMBLY- IGNITION	22433AA7419S	4 Per Vehicle

SERVICE PROCEDURE / INFORMATION:

REMINDER: Customer satisfaction and retention starts with performing quality repairs.

The following Flow Chart is provided as an overview of the procedures required to perform this Recall. A detailed Service Procedure is also supplied below.



Continued...

STEP 1) Does the engine start normally?

No → The engine does **NOT** start normally: Proceed to **STEP 2** (inspection of fuses in M/B).

Yes → The engine starts normally: Proceed to **STEP 3**.

STEP 2) Inspect the M/B fuse #21 (15A) for **IMPREZA** and **CROSSTREK**. Is the fuse blown?

No → The fuse is **NOT** blown: Diagnose the hard starting condition per the applicable Service Manual then proceed to **STEP 3**.

Yes → The fuse **IS** blown: Proceed to **STEP 3**. After checking DTCs, replace the fuse.

STEP 3) Using the SSM scan for DTCs. Are any of the following DTCs current or stored in the ECM memory?

[P0301: CYLINDER 1 MISFIRE]

[P0302: CYLINDER 2 MISFIRE]

[P0303: CYLINDER 3 MISFIRE]

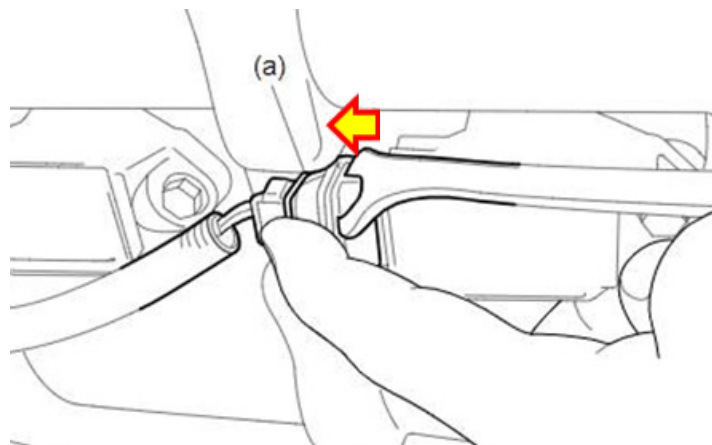
[P0304: CYLINDER 4 MISFIRE]

[P0420: CATALYST SYSTEM EFFICIENCY BELOW THRESHOLD BANK 1]

No → **NONE** of the DTCs are current or stored: Replace all four (4) ignition coils following the procedure in the applicable Service Manual.

Yes → **ANY** of DTCs are current or stored: Replace all four (4) of the ignition coils AND the Exhaust Pipe Front assembly following the procedure in the applicable Service Manual to perform the work

TIP: When disconnecting the harness connectors from the ignition coils, squeeze the wire retaining clip (a) and push the connector off using a trim clip tool as shown in the illustration below. **DO NOT** remove the wire retaining clip from the harness connector.




Continued...

STEP 4) Using the SSM, check the CID to determine if the ECM requires reprogramming. Compare the current CID to the “**GOOD**” CID numbers supplied in the table below.

CRITICAL STEP: Is the current CID listed as “**GOOD**” on the table below?

No  Current **CID IS NOT** listed as “**GOOD**” on the table below. **REPROGRAM THE ECM** to the latest available version using the normal FlashWrite procedure.

Yes  Current **CID IS** listed as “**GOOD**” on the table below. **DO NOT REPROGRAM THE ECM**. The procedure is complete. Proceed to **CLAIM REIMBURSEMENT AND ENTRY PROCEDURES** section.

MY / Model	Transmission Type	Active Grille Shutter Y/N	“GOOD” CID Numbers	
2017 Impreza	CVT	Y	XH3J2B0D	XH3J2C0D
2017-18 Impreza	5MT	Y	XH3J2B0C	XH3J2C0C
	5MT	N	XH3J2B0A	XH3J2C0A
	CVT	N	XH3J2B0B	XH3J2C0B
2018 Impreza	CVT	Y	XH3J900D	XH3JA00D
2019 Impreza	5MT	Y	XH3N500C	XH3N600C
	CVT	Y	XH3N500D	XH3N600D
	5MT	N	XH3N500A	XH3N600A
	CVT	N	XH3N500B	XH3N600B
2018 Crosstrek	6MT	N	XH3J2B0E	XH3J2C0E
	CVT	N	XH3J2B0F	XH3J2C0F
2019 Crosstrek	6MT	Y	XH3N500E	XH3N600E
	CVT	N	XH3N500F	XH3N600F

REMINDER: If the current CID is listed in this table as “**GOOD**”, **DO NOT** reprogram the ECM.

Continued...

PACK FILE APPLICABILITY:

Model Year, IMPREZA	PAK File Name	New ECM Part Number	Old ECM Part Numbers	Decryption Keyword	New ECM CID Number
2017MY, CAL, MT W/ AGS	22765AJ59J.pak	22765AJ59J	22765AJ59A, B, C, D, E, F, G & H	375EE3E7	XH3J2C0C
2017MY, CAL, CVT W/ AGS	22765AJ60J.pak	22765AJ60J	22765AJ60A, B, C, D, E, F, G & H	AEBD0665	XH3J2COD
2017MY, CAL, MT WO/ AGS	22765AK61J.pak	22765AK61J	22765AK61A, B, C, D, E, F, G & H	245D7FAE	XH3J2C0A
2017MY, CAL, CVT WO/ AGS	22765AL71J.pak	22765AL71J	22765AL71A, B, C, D, E, F, G & H	250AEE3A	XH3J2C0B
2018MY, CAL, CVT WO/ AGS	22765AM28G.pak	22765AM28G	22765AM28A, B, C, D, E & F	2EDFFDF3	XH3JA00D
2019MY, CAL, MT W/ AGS	22765AM64E.pak	22765AM64E	22765AM64A, B, C & D	560937AD	XH3N600C
2019MY, CAL, MT WO/ AGS	22765AM65E.pak	22765AM65E	22765AM65A, B, C & D	E0DCCA72	XH3N600A
2019MY, CAL, CVT W/ AGS	22765AM66E.pak	22765AM66E	22765AM66A, B, C & D	19763752	XH3N600D
2019MY, CAL, CVT WO/ AGS	22765AM67E.pak	22765AM67E	22765AM67A, B, C & D	5817CB83	XH3N600B

Model Year, CROSSTREK	PAK File Name	New ECM Part Number	Old ECM Part Numbers	Decryption Keyword	New ECM CID Number
2018MY, CAL, 6MT	22765AJ616.pak	22765AJ616	22765AJ610, 11, 12, 13, 14 & 15	57D5FEEB	XH3J2C0E
2018MY, CAL, CVT	22765AJ626.pak	22765AJ626	22765AJ620, 21, 22, 23, 24 & 25	E68C3D77	XH3J2C0F
2019MY, CAL, 6MT W/ AGS	22765AM814.pak	22765AM814	22765AM810, 11, 12 & 13	FE2394C0	XH3N600E
2019MY, CAL, CVT WO/ AGS	22765AM824.pak	22765AM824	22765AM820, 21, 22 & 23	13FBFBAA	XH3N600F

Continued...

CALIFORNIA “VEHICLE EMISSION RECALL - PROOF OF CORRECTION” CERTIFICATE

The California Air Resources Board and the Department of Motor Vehicles Registration/Recall Program requires that all emission related Recall/Campaign or Service Program repairs be completed before a vehicle registration is renewed. Please provide owners of vehicles registered in the state of California a completed “Vehicle Emission Recall - Proof of Correction” certificate. Vehicle owners should be advised to retain this certificate because the California Department of Motor Vehicles may require they provide proof this service program repair has been completed. Additional certificates are available through normal parts ordering channels using part number MSA6P1301. Quantity 1 = 1 booklet of 50 certificates.

SERVICE PROGRAM IDENTIFICATION LABEL:

Type or print the necessary information on a Campaign Identification Label. The completed label should be attached to the vehicle’s upper radiator support. Additional labels are available through normal parts ordering channels. The part number is **MSA6P1302**, which comes as one sheet of 20 labels.

Part Number	Applicability	Description	Order Quantity
MSA6P1302	All Models	Campaign Completion Labels (contains one sheet of 20 labels)	1

Continued...

CLAIM REIMBURSEMENT AND ENTRY PROCEDURES:

Credit to perform this recall will be based on properly completed repair order information. Retailers may submit claims through Subarunet.com.

Labor Description	Labor Operation #	Labor Time	Fail Code	Claim Type
ECM CID / DTC CHECK, REPLACE ALL IGNITION COILS	A181-341	1.1	WRE-21	RC
ECM CID / DTC CHECK, REPLACE ALL IGNITION COILS, REPROGRAM ECM	A181-342	1.5		
ECM CID / DTC CHECK, REPLACE ALL IGNITION COILS, REPLACE EPF ASSEMBLY	A181-343	1.9		
ECM CID / DTC CHECK, REPLACE ALL IGNITION COILS, REPLACE EPF ASSEMBLY, REPROGRAM ECM	A181-344	2.3		

IMPORTANT REMINDERS:

- SOA strongly discourages the printing and/or local storage of service information as previously released information and electronic publications may be updated at any time.
- Always check for any open recalls or campaigns anytime a vehicle is in for servicing.
- Always refer to STIS for the latest service information before performing any repairs.