



Technical Journal

TITLE:

Roller blind, rattle noise when opening

REF NO: TJ 33183.7.0	ISSUING DEPARTMENT: Technical Service	CAR MARKET: United States and Canada	
PARTNER: 3 US 7510 Volvo Car USA		ISSUE DATE: 2021-03-25	STATUS DATE: 2021-03-30
FUNC GROUP: 8364	FUNC DESC: Sun visor, roof hatch	Page 1 of 15	

“Right first time in Time”

Attachment

File Name	File Size
TJ 33183.mp4	3.8060 MB
TJ 33183.jpg	0.0167 MB
TJI-519080-1_1_0_en-US.pdf	0.2779 MB
TJI-519080-3_1_0_en-US.pdf	2.0458 MB

Rows beginning with * are modified

Note! If using a printed copy of this Technical Journal, first check for the latest online version.

DESCRIPTION:

* Changed Vehicle Type information.

If a vehicle with panorama roof shows symptom of a rattling noise from roller blind when opening, follow the description under Service.

CSC Customer Symptom Codes

Code	Description
B2	Sun/moon/convertible roof/Squeak/rattle



Vehicle Type

Type	Eng	Eng Desc	Sales	Body	Gear	Steer	Model Year	Plant	Chassis range	Struc Week Range
225							2019-2021		0000001-0446707	201817-202111
227							2019-2021		0000001-0076566	201846-202111
235							2017-2021		0000001-0168119	201624-202111
236							2017-2021		0000001-0139331	201646-202111
246							2018-2021		0000001-0836060	201717-202111
256							2016-2021		0000001-0749471	201505-202111

SERVICE:

If the analysis shows that the rattling noise comes from the roller blind;

First carry out the modification according to TJ instruction TJI-519080-3 (step 1) and do a function test of the roller blind to verify the repair.

If the rattle noise was not completely cured by the first repair, then continue and install a gasket (PN 11998) inside the roller blind motor according to TJ instruction TJI-519080-1 (step 2).

Warranty claim info:

To get warranty claim accepted for a job described in this TJ, please use the following data:

VST Op Number: 98754-3 in addition to 83640-2 and if applicable 98750-3

VST Operation Number

VST Operation Number	Description
98750-3	Step 2 (optional): Electric motor sun blind roof hatch adjust acc. to TJ 33183
98754-3	Step 1: Noise sunroof adjustment acc. to TJ33183
83640-2	Step 1: Mechanism sun roof replace

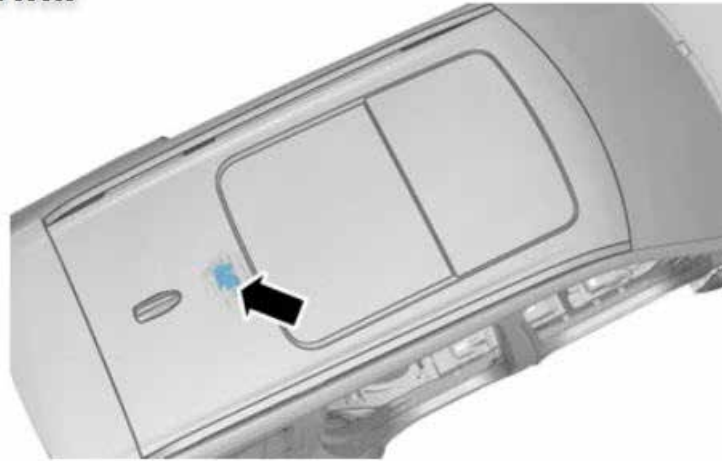
VEHICLE REPORT:

Yes, please submit a Vehicle Report if the service solution described in this TJ has no effect. Use concern area "Vehicle Report" and sub concern area "Support not needed", use function group 8364.

To view TJ attachments continue to next page. This TJ has three attachments and one [sound file](#).



TJ 33183



Volvo Car Customer Service

TJ Instruction VCC-519080-1

Title	Sun visor/inner cover sun roof	Page	1 (3)
Action	Adjustment	Operation number:	98750-2

Issue	Date	Reason
1	2020-04	First issue

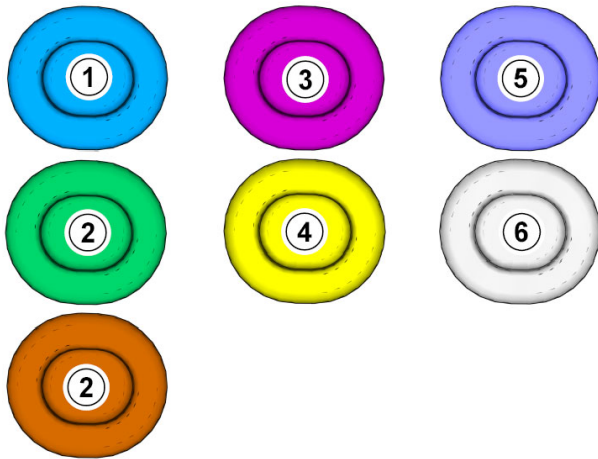
Affected vehicles

Model year	Model
2019, 2020,2021	V60 (19-)
2019, 2020,2021	V60 Cross Country (19-)
2017, 2018, 2019, 2020,2021	V90 (17-)
2017, 2018, 2019, 2020,2021	V90 Cross Country
2018, 2019, 2020, 2021	XC60 (18-)
2016, 2017, 2018, 2019, 2020,2021	XC90 (16-)

Materials

Materials	Qty.	Part No.	Notes
Gasket	1.0	11998	

Color symbols



Note! This colour chart displays (in colour print and electronic version) the importance of the different colours used in the images of the method steps.

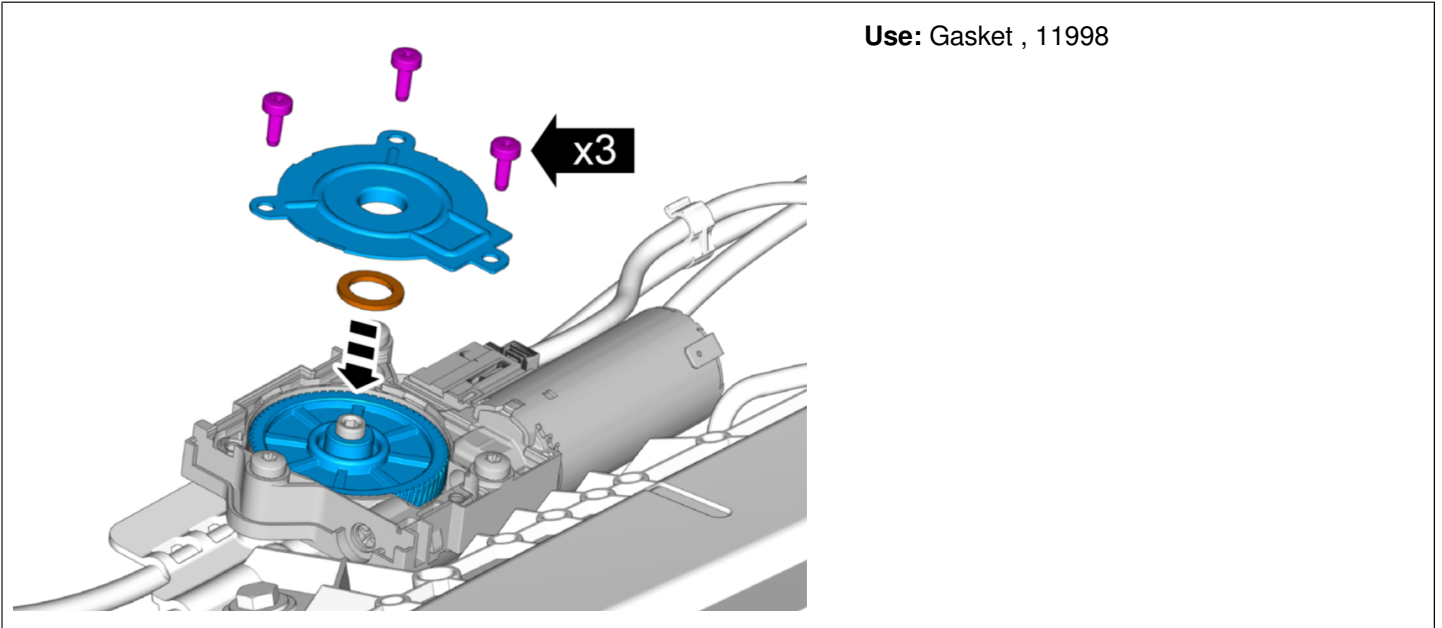
- 1 . Used for focused component, the component with which you will do something.
- 2 . Used as extra colors when you need to show or differentiate additional parts.
- 3 . Used for attachments that are to be removed/installed. May be screws, clips, connectors, etc.
- 4 . Used when the component is not fully removed from the vehicle but only hung to the side.
- 5 . Used for standard tools and special tools.
- 6 . Used as background color for vehicle components.

Removal

Remove the headlining , refer to:
Removal, replacement and installation
8 - Body and interior
85 - Interior
855 - other upholstery

Installation

Use: Gasket , 11998



To install, reverse the removal procedure.



Volvo Car Customer Service

TJ Instruction VCC-519080-3

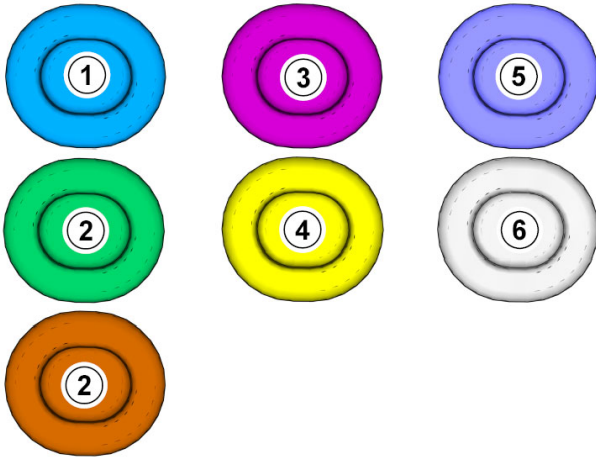
Title	Sun visor/inner cover sun roof	Page	1 (9)
Action	Adjustment	Operation number:	98754-3

Issue	Date	Reason
1	2020-12	First issue

Affected vehicles

Model year	Model
2019, 2020,2021	V60 (19-)
2019, 2020,2021	V60 Cross Country (19-)
2017, 2018, 2019, 2020,2021	V90 (17-)
2017, 2018, 2019, 2020,2021	V90 Cross Country
2018, 2019, 2020,2021	XC60 (18-)
2016, 2017, 2018, 2019, 2020,2021	XC90 (16-)

Color symbols



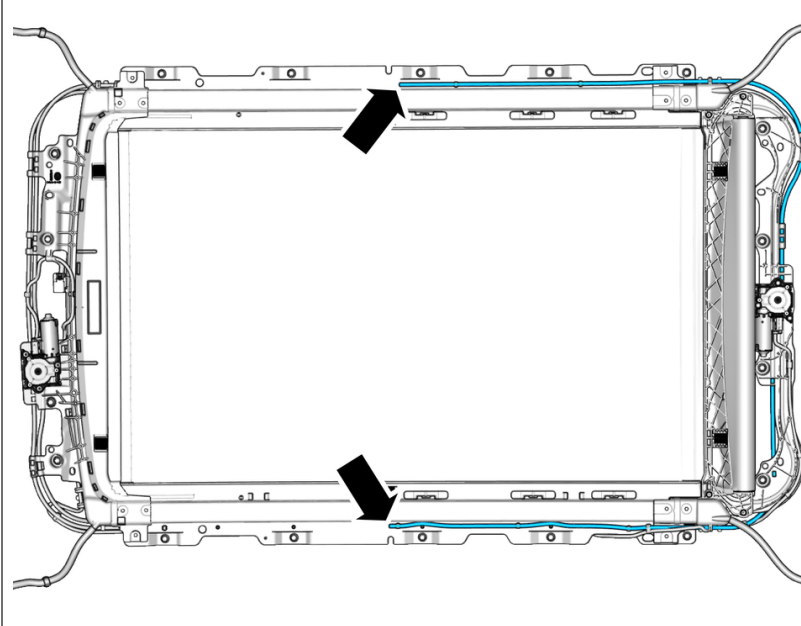
Note! This colour chart displays (in colour print and electronic version) the importance of the different colours used in the images of the method steps.

- 1 . Used for focused component, the component with which you will do something.
- 2 . Used as extra colors when you need to show or differentiate additional parts.
- 3 . Used for attachments that are to be removed/installed. May be screws, clips, connectors, etc.
- 4 . Used when the component is not fully removed from the vehicle but only hung to the side.
- 5 . Used for standard tools and special tools.
- 6 . Used as background color for vehicle components.

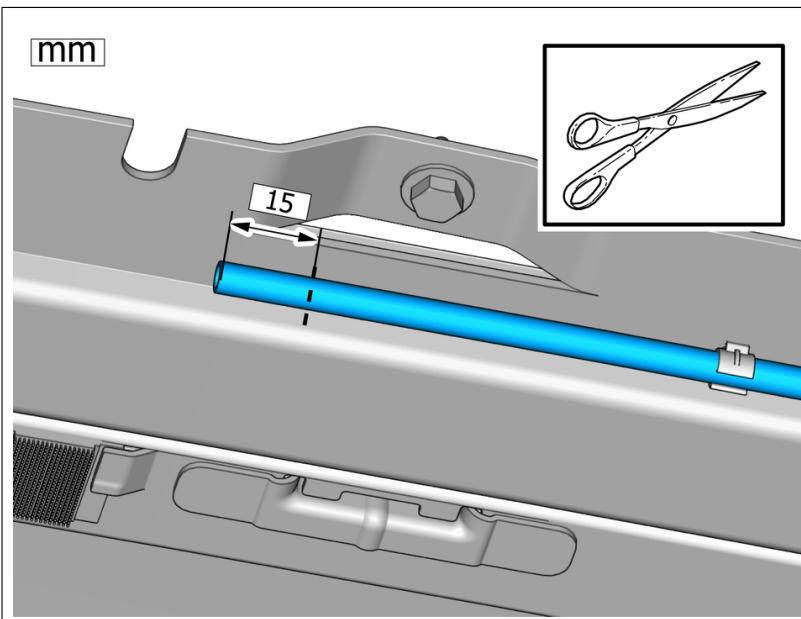
Removal

Lower the headlining , refer to:
 Removal, replacement and installation
 8 - Body and interior
 85 - Interior
 855 - other upholstery

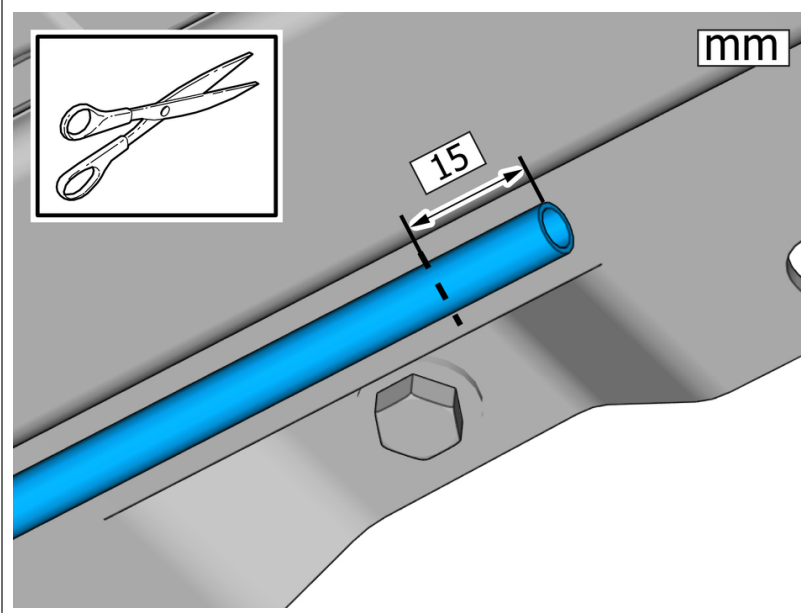
Lower roof hatch extended complete , refer to:
 Removal, replacement and installation
 8 - Body and interior
 83 - Doors and lids
 836 - roof hatch



Note! Orientation view

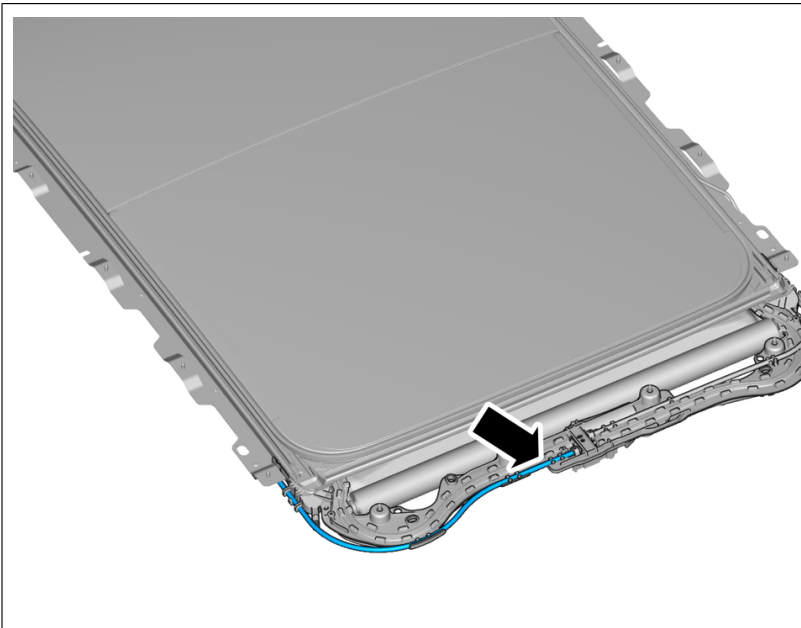


Right-hand side
Cut the component according to the image.

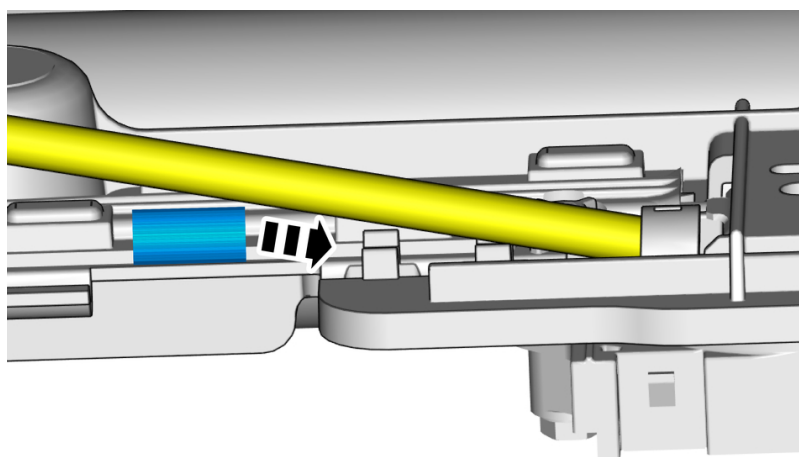
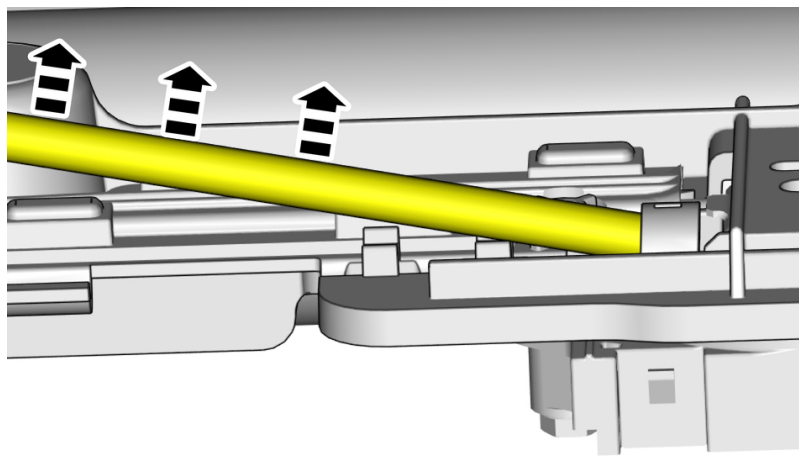


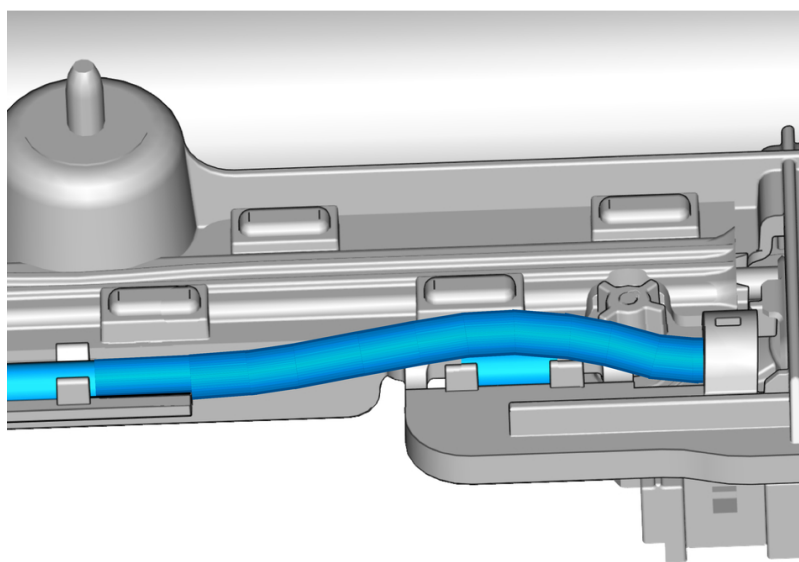
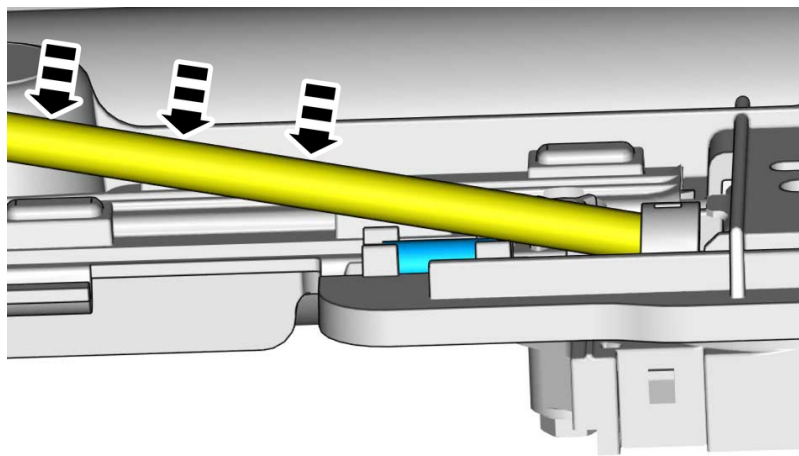
Left-hand side
Cut the component according to the image.

Left-hand side

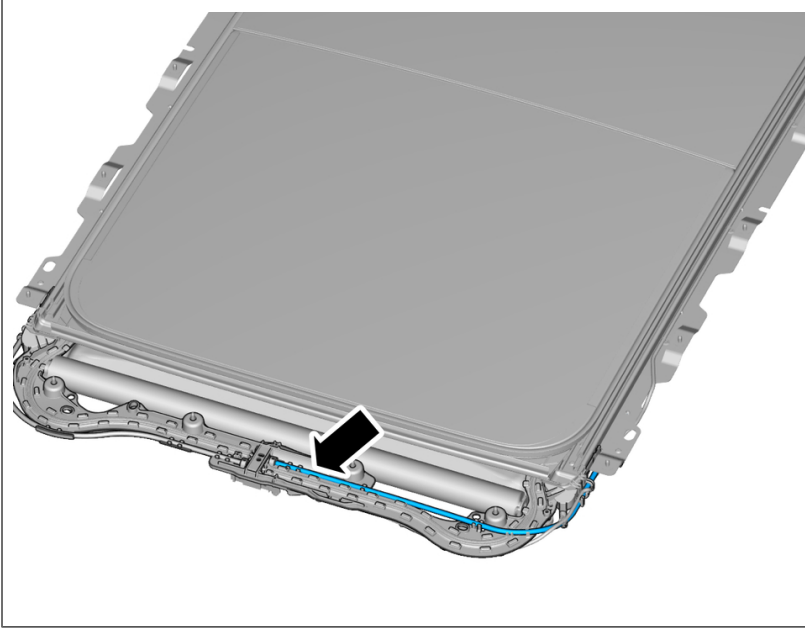


Note! Orientation view

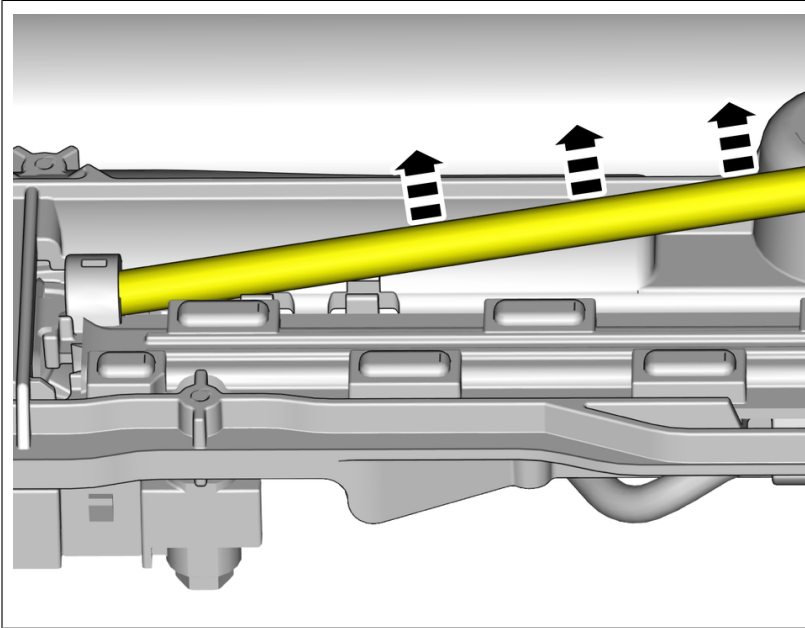


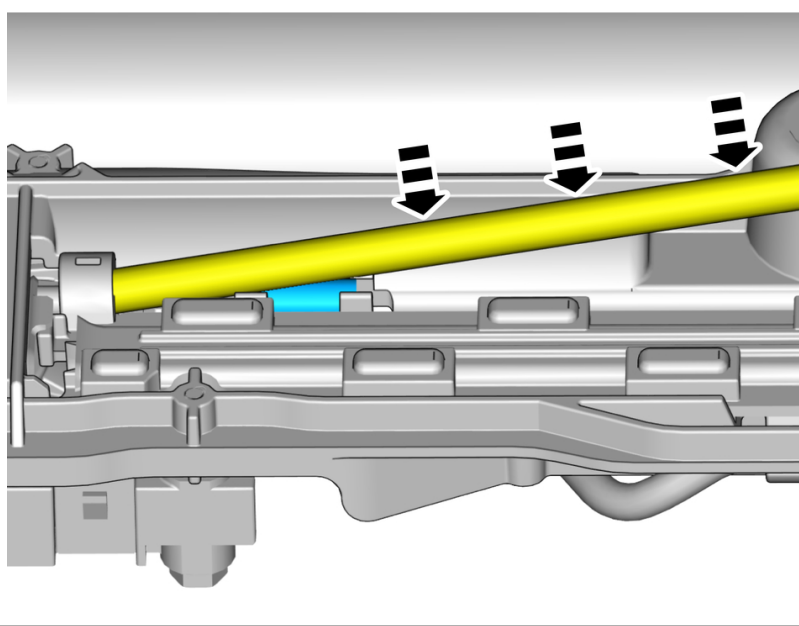
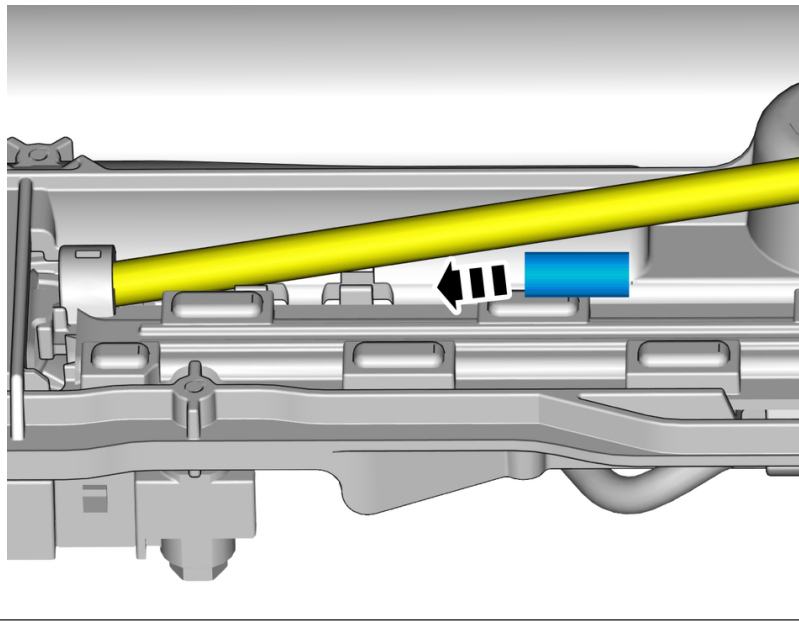


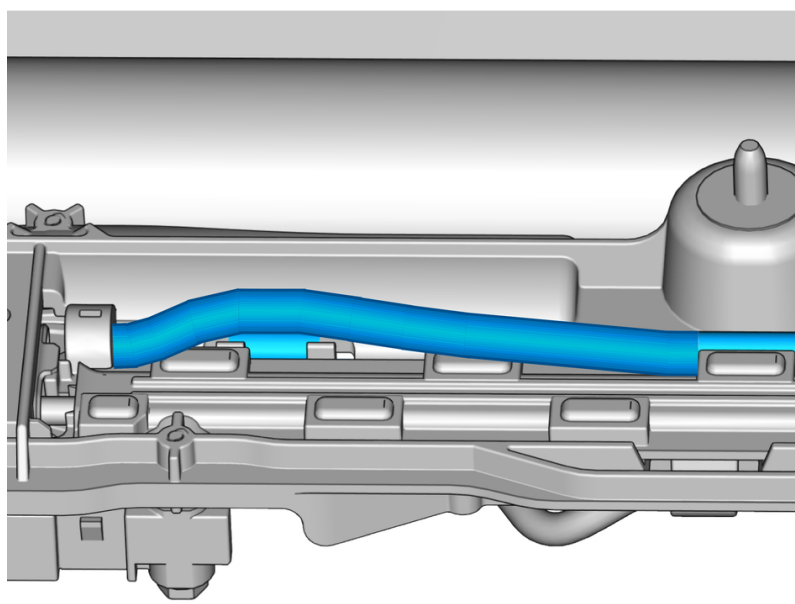
Right-hand side



Note! Orientation view







Installation

To install, reverse the removal procedure.