



# SERVICE BULLETIN

Classification: AN15-020A	Reference: NTB15-098A	Date: March 23, 2021
------------------------------	--------------------------	-------------------------

## 2015 MURANO; WITH NON-NAVIGATION SYSTEM AUDIO UNIT (WITH DISPLAY) AND AC SWITCH ASSEMBLY SERVICE INFORMATION

**This bulletin has been amended. See AMENDMENT HISTORY on the last page.  
Please discard previous versions of this bulletin.**

**APPLIED VEHICLE:** 2015 Murano (Z52) equipped with non-Navigation system

### SERVICE INFORMATION

**NOTE:** If the information below determines both parts need replacement, do not replace them at different times. Make sure both parts are replaced at the same time.

#### Audio unit (with display) replacement:

Whenever an audio unit on an applied vehicle is replaced for any reason, check the part number (P/N) of the A/C switch assembly (A/C Controller Assembly).

- If the P/N ends with “**A**” or “**B**” (for example, 27500-5AA1**A**), also replace the A/C switch assembly with part number 27500-5AA1C.
- If the P/N does NOT end with “**A**” or “**B**”, do NOT replace the A/C switch assembly.

**NOTE:** The A/C switch assembly P/N can be checked by the following:

- While removing the audio unit (see page 2)
- Access Service COMM for previous warranty repairs that included A/C switch assembly replacement (it would list the replacement P/N)

#### A/C switch assembly (A/C controller assembly) replacement:

Whenever an A/C switch assembly on an applied vehicle is replaced for any reason, check the P/N of the audio unit.

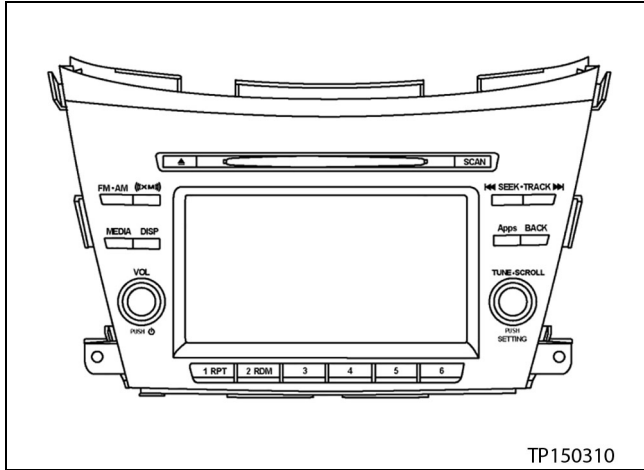
- If the P/N ends with “**0A**” or “**4A**” (for example, 28185-5AA**0A**), also replace the audio unit.
- If the P/N does NOT end with “**0A**” or “**4A**”, do NOT replace the audio unit.

**NOTE:** The audio unit P/N can be checked by the following:

- By removing the audio unit (see page 2)
- Access Service COMM for previous warranty repairs that included audio unit replacement (it would list the replacement P/N)

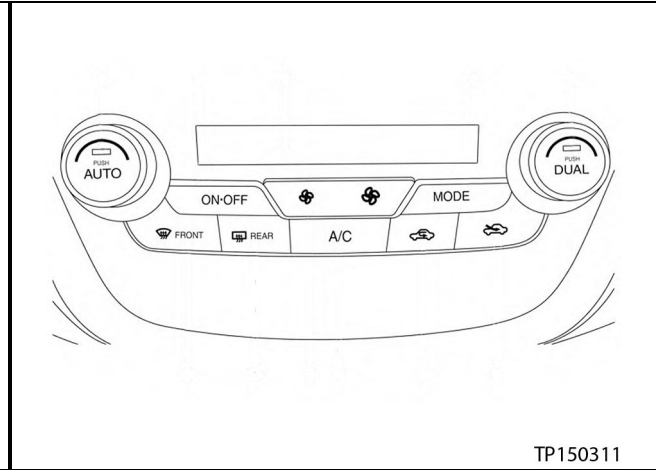
For more detail, see page 2.

Nissan Bulletins are intended for use by qualified technicians, not 'do-it-yourselfers'. Qualified technicians are properly trained individuals who have the equipment, tools, safety instruction, and know-how to do a job properly and safely.  
**NOTE:** If you believe that a described condition may apply to a particular vehicle, DO NOT assume that it does. See your Nissan dealer to determine if this applies to your vehicle.



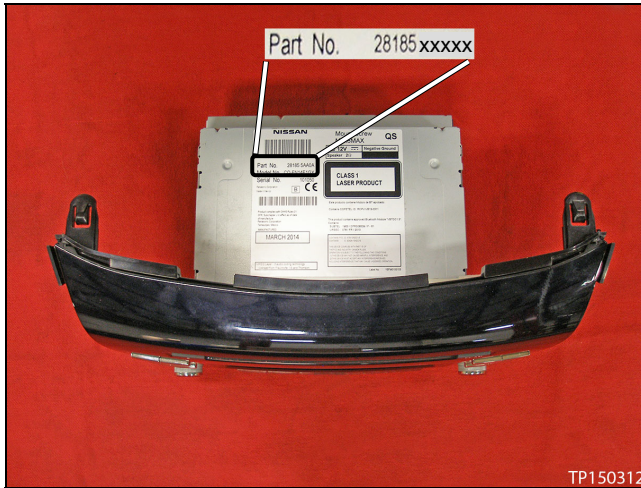
TP150310

Audio unit



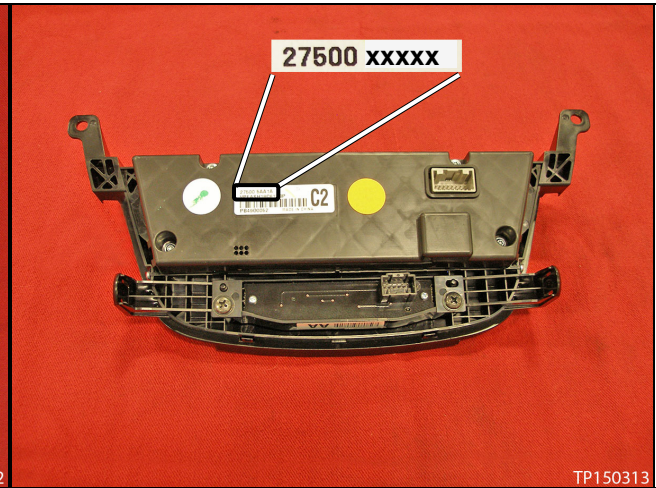
TP150311

A/C switch assembly



TP150312

Location of audio unit P/N



TP150313

Location of A/C switch assembly P/N

### AMENDMENT HISTORY

PUBLISHED DATE	REFERENCE	DESCRIPTION
November 5, 2015	NTB15-098	Original bulletin published
March 23, 2021	NTB15-098A	Classification number updated