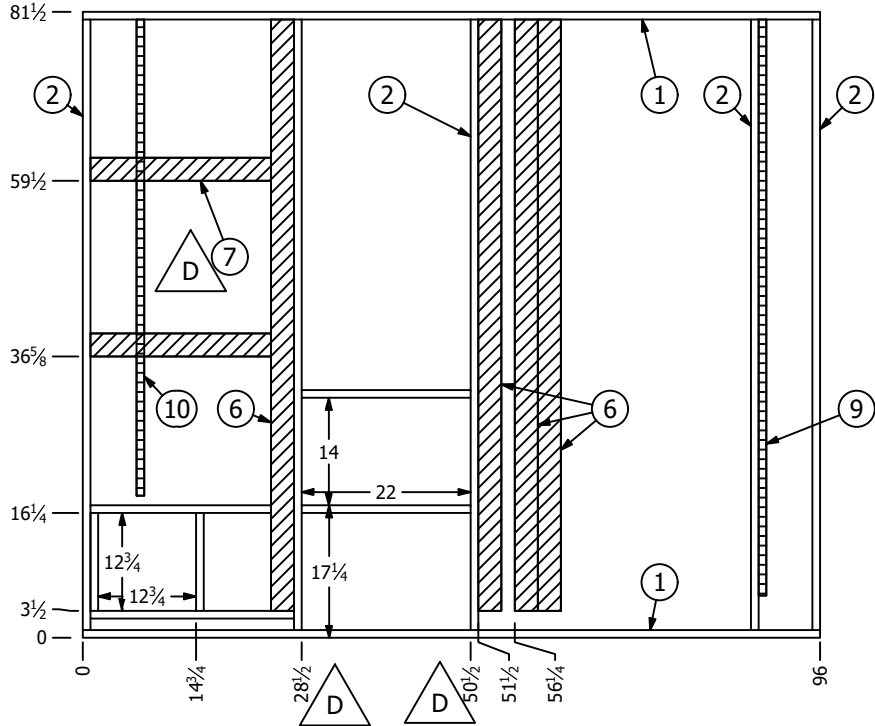
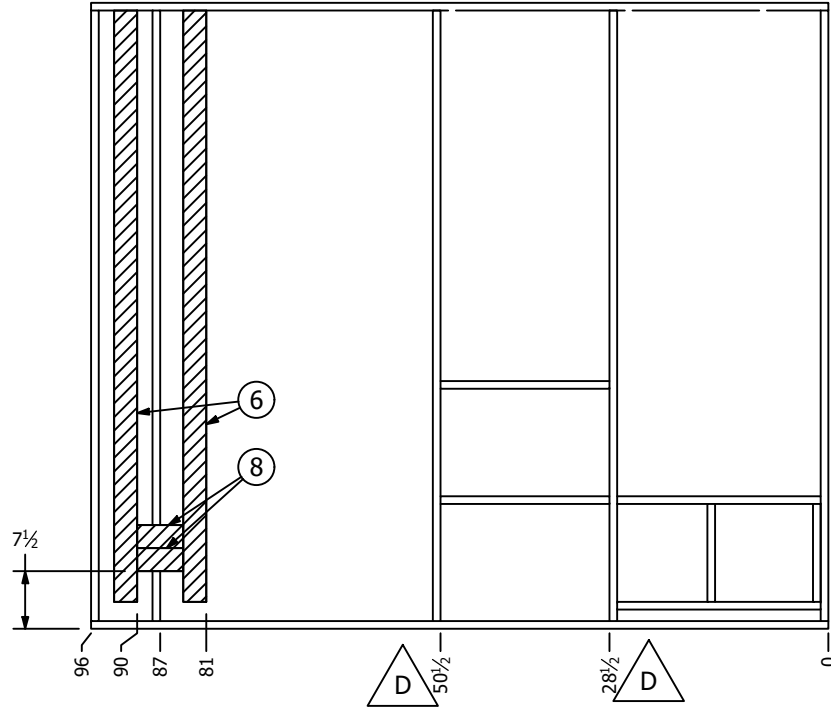


PARTS LIST			PARTS LIST		
ITEM	QTY	DESCRIPTION	ITEM	QTY	DESCRIPTION
1	2	1" x 1 1/2" x 96" Aluminum Tube	6	6	3" x 77" x .019-EGS Backer
2	5	1" x 1 1/2" x 79 1/2" Aluminum Tube	7	2	3" x 23 1/2" x .019-EGS Backer
3	2	1" x 1 1/2" x 26 1/2" Aluminum Tube	8	2	3" x 6" x .019-EGS Backer
4	2	1" x 1 1/2" x 22" Aluminum Tube	9	1	1" x 1 1/2" x 75" - Plastic Wire Channel
5	2	1" x 1 1/2" x 12 3/4" Aluminum Tube	10	1	1" x 1 1/2" x 62" - Plastic Wire Channel



INTERIOR BACKERS (VIEWED FROM INTERIOR)



EXTERIOR BACKERS (VIEWED FROM EXTERIOR)

MODEL LIST:
T17RBHL
T19RBHL



**HERITAGE GLEN/
HEMISPHERE
PLANT #44**

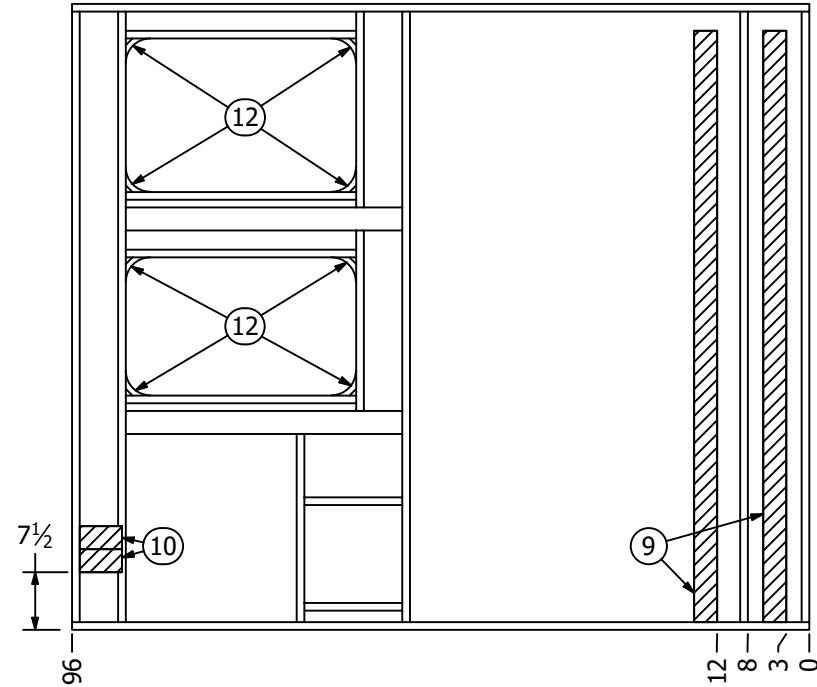
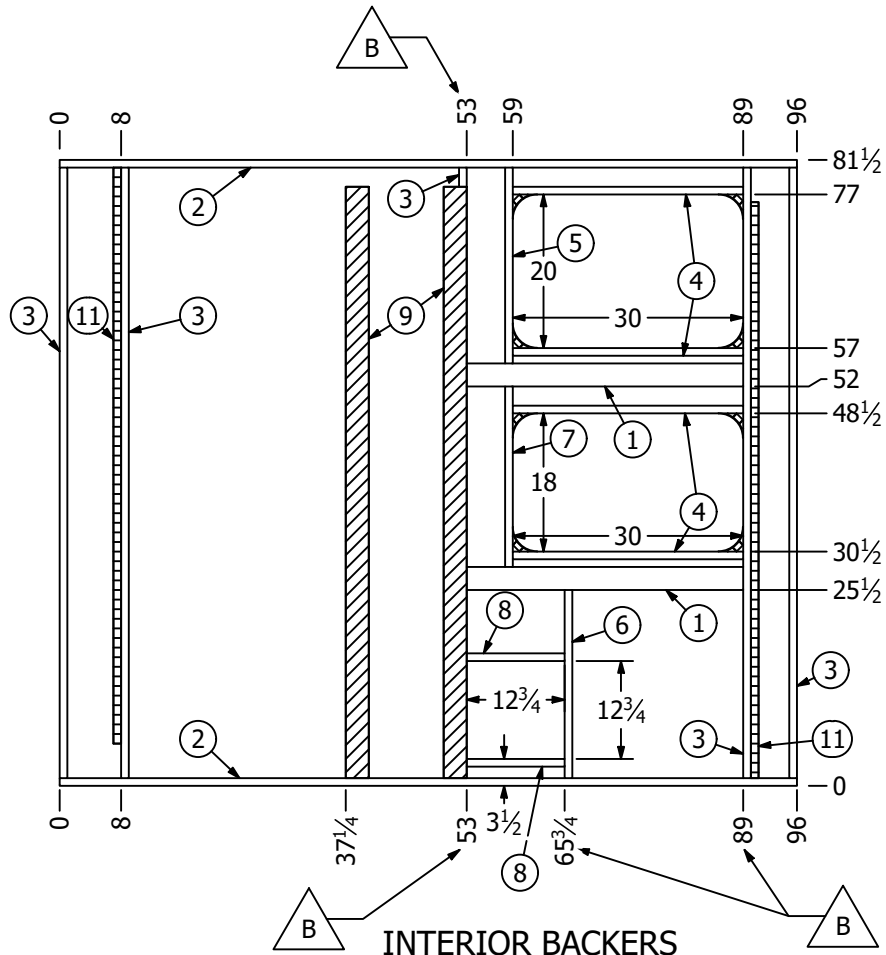
FOREST RIVER INDUSTRIES, INC., CLAIMS PROPRIETARY RIGHTS IN THE MATERIAL DISCLOSED HEREIN. NEITHER THIS DRAWING NOR ANY REPRODUCTION THEREOF MAY BE USED TO MANUFACTURE ANYTHING SHOWN HEREON WITHOUT PERMISSION BY WRITING FROM FOREST RIVER, INC.

BY: **JDS** APPROVED BY: _____ FRACTIONAL TOLERANCE: +/- 1/16
DATE: 8/8/2019 SHEET #: 1 OF 1 ANGULAR TOLERANCE: +/- 1'
DESCRIPTION: _____ SHEET SIZE: A

REVISION HISTORY				
REV	ECO #	DESCRIPTION	DATE	BY
B	ECO-20-0585	ADDED W/H OPENING	8/12/2019	JDS
C	ECO-20-1384	UPDATED MOIDEL LIST	12/27/2019	PBO
D	ECO-21-0265	MOVE TUBE @ 48 1/2" TO 50 1/2"	5/22/2020	EI


REAR WALL ASSEMBLY
REV: **D** VENDOR PART#: _____ DRAWING #: **09-000093**

PARTS LIST			PARTS LIST		
ITEM	QTY	DESCRIPTION	ITEM	QTY	DESCRIPTION
1	2	3" x 1 1/2" x 36" Aluminum Tube	7	1	1" x 1 1/2" x 23 1/2" Aluminum Tube
2	2	1" x 1 1/2" x 96" Aluminum Tube	8	2	1" x 1 1/2" x 12 3/4" Aluminum Tube
3	5	1" x 1 1/2" x 79 1/2" Aluminum Tube	9	4	3" x 77" x .019-EGS Backer
4	4	1" x 1 1/2" x 30" Aluminum Tube	10	2	3" x 5 1/2" x .019-EGS Backer
5	1	1" x 1 1/2" x 25 1/2" Aluminum Tube	11	2	1" x 1 1/2" x 75" - Plastic Wire Channel
6	1	1" x 1 1/2" x 24 1/2" Aluminum Tube	12	8	1 1/2 x 3.2" Radius Block



MODEL LIST:
T20BHHL

REVISION HISTORY				
REV	ECO #	DESCRIPTION	DATE	BY
A	ECO-21-0347	INITIAL RELEASE	7/15/2020	NFV
B	ECO-21-0591	MOVED WINDOW OVER 1/2" FROM 88 1/2" TO 89"	7/22/2020	KCH



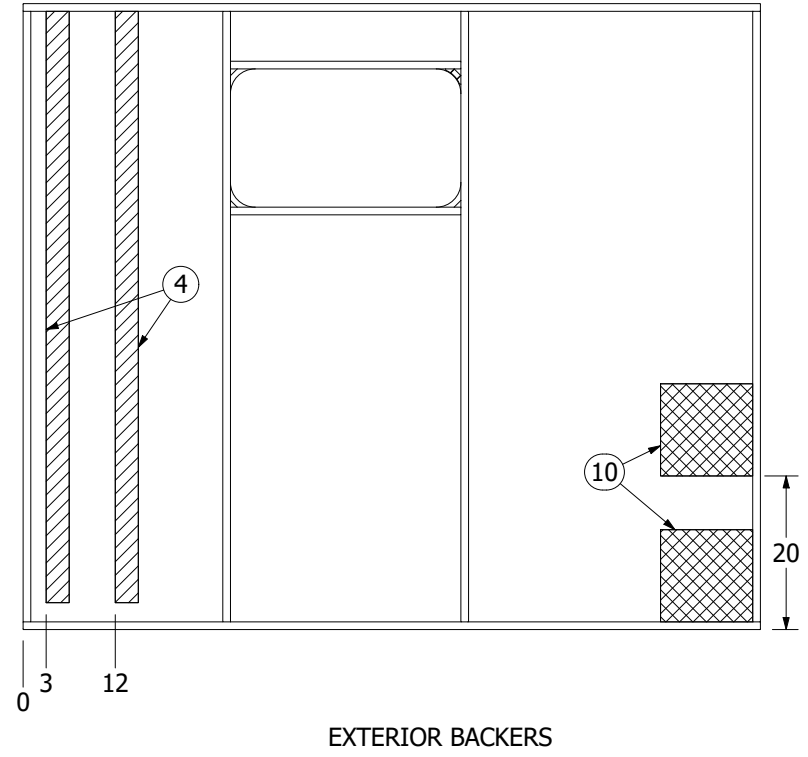
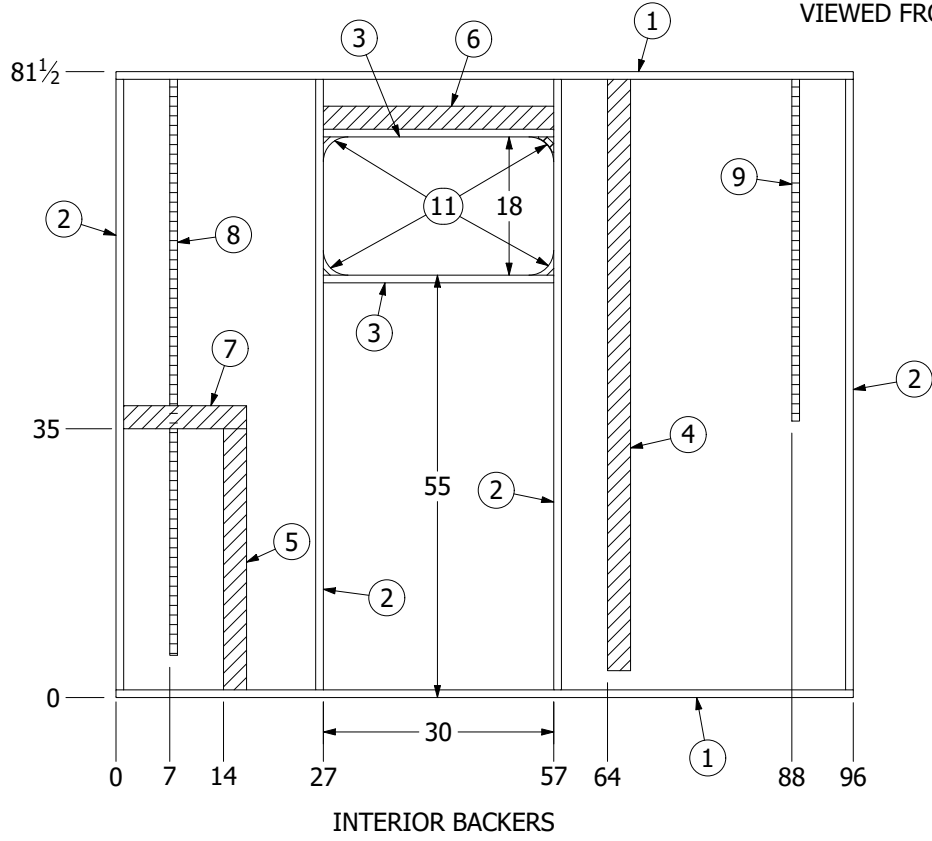
**HERITAGE GLEN/
HEMISPHERE
PLANT #44**

FOREST RIVER INDUSTRIES, INC., CLAIMS PROPRIETARY RIGHTS IN THE MATERIAL DISCLOSED HEREIN. NEITHER THIS DRAWING NOR ANY REPRODUCTION THEREOF MAY BE USED TO MANUFACTURE ANYTHING SHOWN HEREON WITHOUT PERMISSION BY WRITING FROM FOREST RIVER, INC.

BY: NFV	APPROVED BY:	FRACTIONAL TOLERANCE: +/- 1/16"
DATE: 7/15/2020	SHEET #: 1 OF 1	ANGULAR TOLERANCE: +/- 1°
DESCRIPTION:		
REAR WALL		
REV: B	VENDOR PART#:	DRAWING #: 09-000209

PARTS LIST			PARTS LIST			PARTS LIST		
ITEM	QTY	DESCRIPTION	ITEM	QTY	DESCRIPTION	ITEM	QTY	DESCRIPTION
1	2	1" x 1 1/2" x 96" Aluminum Tube	4	3	3" x 77" x .019-EGS Backer	8	1	1" x 1 1/2" x 75" - Plastic Wire Channel
2	4	1" x 1 1/2" x 79 1/2" Aluminum Tube	5	1	3" x 34" x .019-EGS Backer	9	1	1" x 1 1/2" x 44 1/2" - Plastic Wire Channel
3	2	1" x 1 1/2" x 30" Aluminum Tube	6	1	3" x 30" x .019-EGS Backer	10	2	12" x 12" x 1 1/2" - Foam Wood
			7	1	3" x 16" x .019-EGS Backer	11	4	1 1/2 x 3.2" Radius Block

VIEWED FROM INTERIOR



MODEL LIST:
T22RBHL
T25RBHL



FOREST RIVER INDUSTRIES, INC. CLAIMS PROPRIETARY RIGHTS IN THE MATERIAL DISCLOSED HEREIN. NEITHER THIS DRAWING NOR ANY REPRODUCTION THEREOF MAY BE USED TO MANUFACTURE ANYTHING SHOWN HEREON WITHOUT PERMISSION IN WRITING FROM FOREST RIVER, INC.

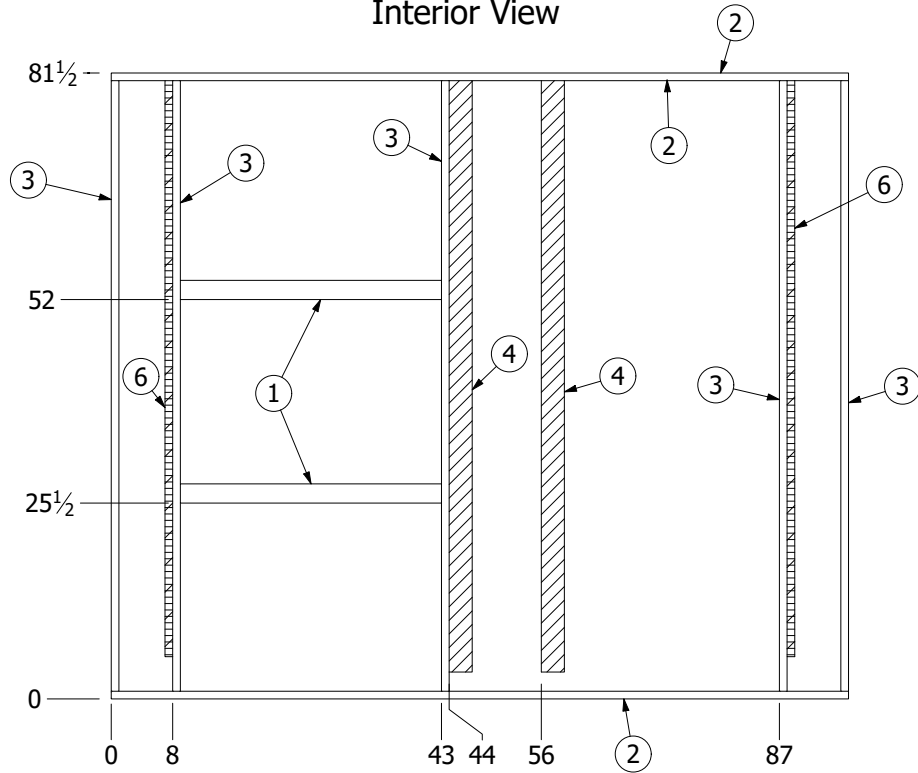
BY: MSR APPROVED BY: _____ FRACTIONAL TOLERANCE: +/- 1/16"
 DATE: 3/30/2018 SHEET #: 1 OF 1 ANGULAR TOLERANCE: +/- 1°
 DESCRIPTION: Rear Wall
 REV: J VENDOR PART#: _____ DRAWING #: 09-000013

REVISION HISTORY				
REV	ECO #	DESCRIPTION	DATE	BY
H		ADDED ADDITIONAL FOAM WOOD BACKER FOR POWER CORD	11/5/2018	PBO
I		ADD DIMENSION FOR POWER CORD BACKER	11/13/2018	EI
J	ECO-19-0371	UPDATED MODEL LIST	2/21/2019	JDS

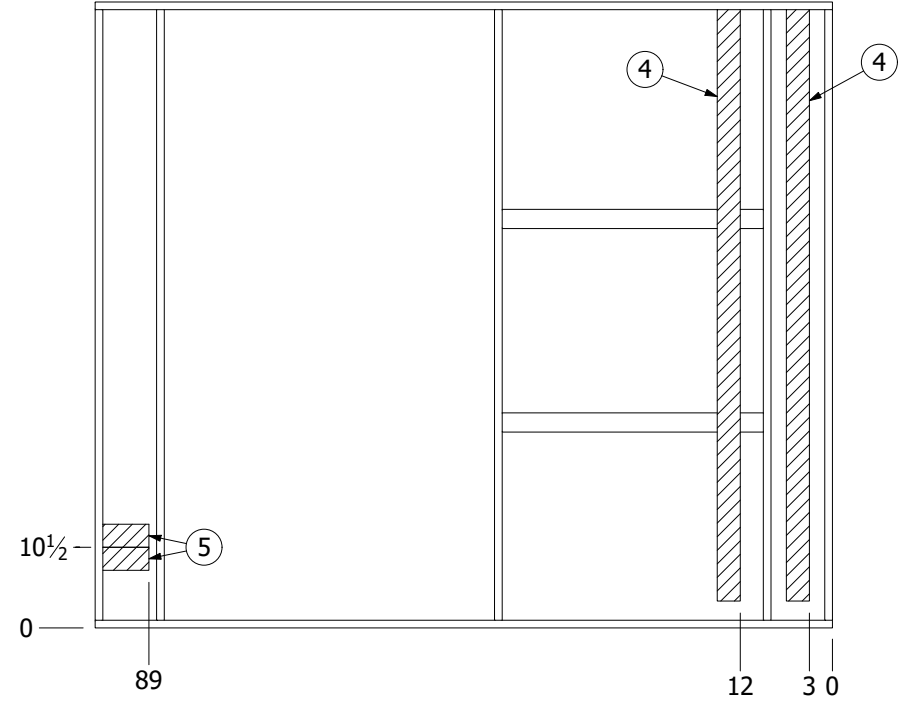
Hyper Lyte

PARTS LIST			PARTS LIST			PARTS LIST		
ITEM	QTY	DESCRIPTION	ITEM	QTY	DESCRIPTION	ITEM	QTY	DESCRIPTION
1	2	1 1/2" x 2 1/2" x 34" Aluminum Tube	4	4	3" x 77" x .019-EGS Backer	6	2	1" x 1 1/2" x 75" - Plastic Wire Channel
2	2	1" x 1 1/2" x 96" Aluminum Tube	5	2	3" x 6" x .019-EGS Backer			
3	5	1" x 1 1/2" x 79 1/2" Aluminum Tube						

Interior View



Exterior View



Model List
T23BHHL



**HERITAGE GLEN/
HEMISPHERE**
PLANT #44

FOREST RIVER INDUSTRIES, INC. CLAIMS PROPRIETARY RIGHTS IN THE MATERIAL DISCLOSED HEREIN. NEITHER THIS DRAWING NOR ANY REPRODUCTION THEREOF MAY BE USED TO MANUFACTURE ANYTHING SHOWN HEREON WITHOUT PERMISSION IN WRITING FROM FOREST RIVER, INC.

BY: **RG** APPROVED BY: _____ FRACTIONAL TOLERANCE: +/- 1/16

DATE: 7/18/2018 SHEET #: 1 OF 1 SHEET SIZE: A

DESCRIPTION:

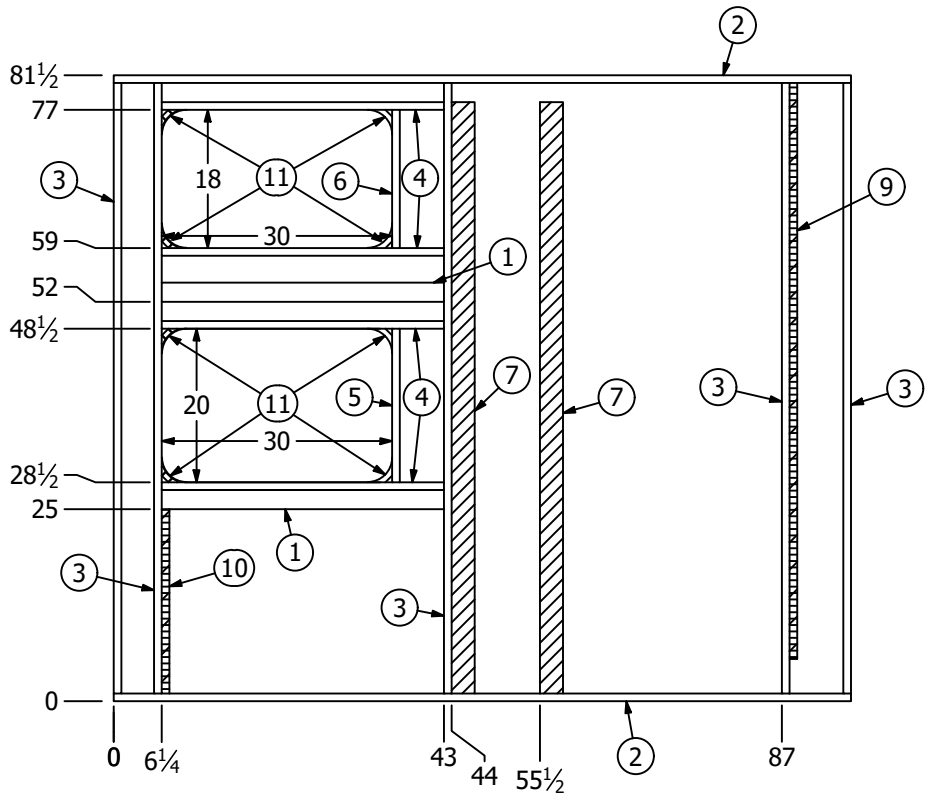
REVISION HISTORY				
REV	ECO #	DESCRIPTION	DATE	BY
A		Initial Release.	10/16/2018	RG
B	ECO-19-0317	CHANGED PART NUMBER	2/14/2019	CAS

Rear Wall
REV: **B** VENDOR PART#: _____ DRAWING #: **09-000036**

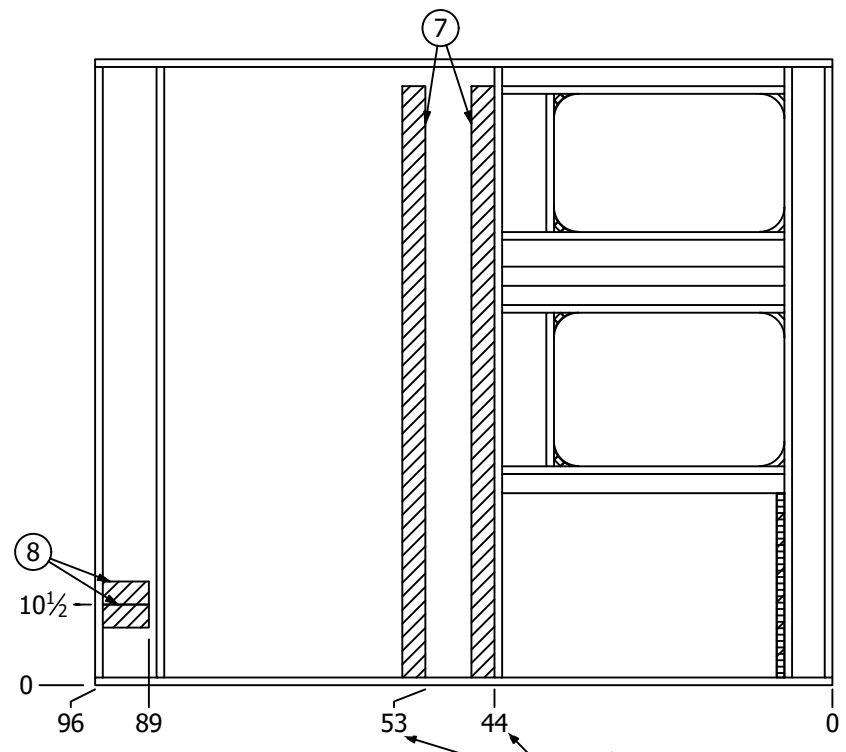
PARTS LIST		
ITEM	QTY	DESCRIPTION
1	2	1 1/2" x 2 1/2" x 36 3/4" Aluminum Tube
2	2	1" x 1 1/2" x 96" Aluminum Tube
3	5	1" x 1 1/2" x 79 1/2" Aluminum Tube
4	4	1" x 1 1/2" x 36 3/4" Aluminum Tube
5	1	1" x 1 1/2" x 20" Aluminum Tube
6	1	1" x 1 1/2" x 18" Aluminum Tube

PARTS LIST		
ITEM	QTY	DESCRIPTION
7	4	3" x 77" x .019-EGS Backer
8	2	3" x 6" x .019-EGS Backer

PARTS LIST		
ITEM	QTY	DESCRIPTION
9	1	1" x 1 1/2" x 75" - Plastic Wire Channel
10	1	1" x 1 1/2" x 24" - Plastic Wire Channel
11	8	1 1/2 x 3.2" Radius Block



Interior View



Exterior View



MODEL LIST:
T23BHHL



**HERITAGE GLEN/
HEMISPHERE
PLANT #44**

FOREST RIVER INDUSTRIES, INC. CLAIMS PROPRIETARY RIGHTS IN THE MATERIAL DISCLOSED HEREIN. NEITHER THIS DRAWING NOR ANY REPRODUCTION THEREOF MAY BE USED TO MANUFACTURE ANYTHING SHOWN HEREON WITHOUT PERMISSION IN WRITING FROM FOREST RIVER, INC.

BY: RG	APPROVED BY:	FRACTIONAL TOLERANCE: +/- 1/16
DATE: 7/18/2018	SHEET #: 1 OF 1	ANGULAR TOLERANCE: +/- 1'

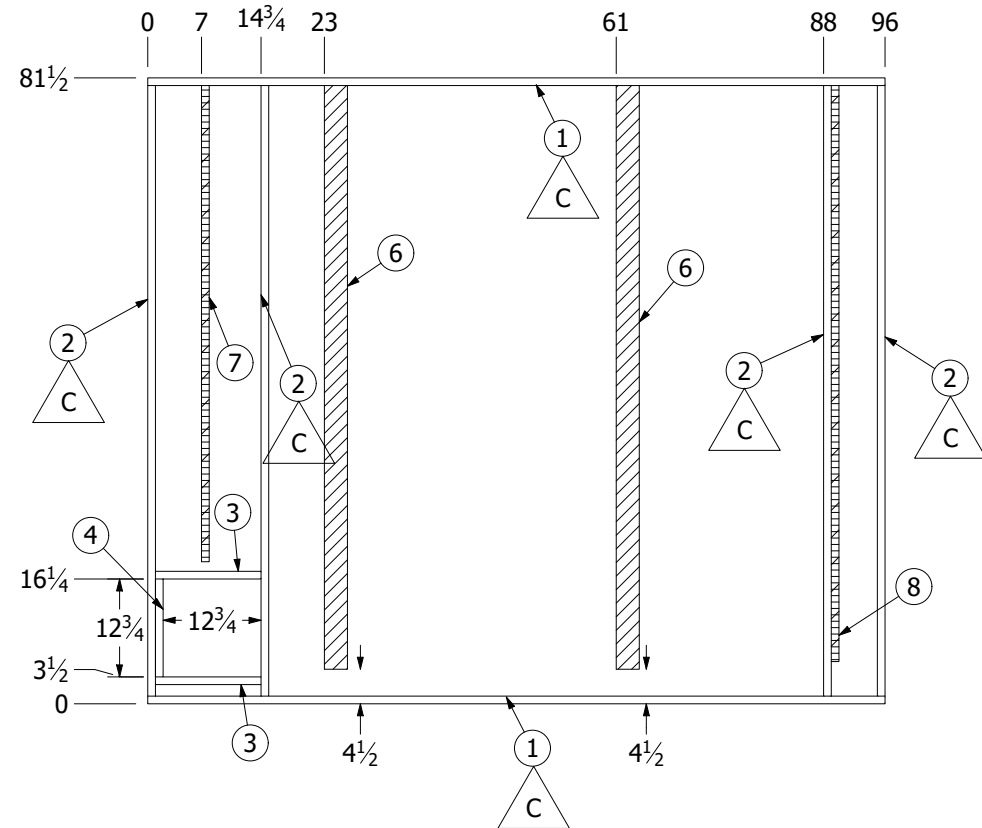
REVISION HISTORY				
REV	ECO #	DESCRIPTION	DATE	BY
I	ECO-21-0347	REMOVED T20BHHL FROM MODEL LIST	7/15/2020	NFV
J		77" WAS 75 1/2", 59" WAS 57 1/2", 48 1/2" WAS 49 1/2", 28 1/2" WAS 29 1/2"	7/22/2020	KCH
K	ECO-21-0778	EXTERIOR BACKERS MOVED TO CENTER OF WALL	8/14/2020	KCH

DESCRIPTION: Rear Wall		DRAWING #: 09- 000036
REV: K	VENDOR PART#:	

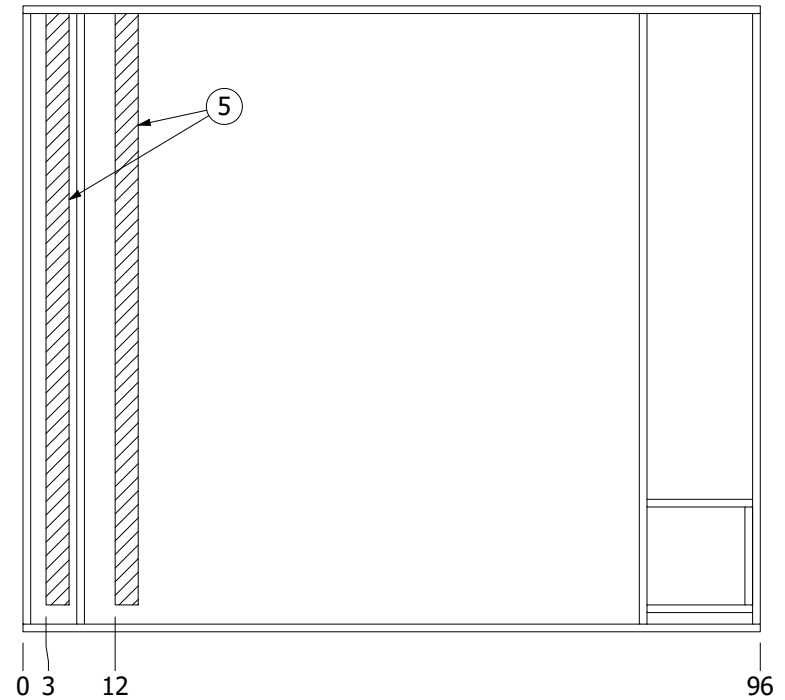
Hyper Lyte

PARTS LIST				PARTS LIST			
ITEM	QTY	DESCRIPTION		ITEM	QTY	DESCRIPTION	
1	2	1" x 1 1/2" x 96" Aluminum Tube		5	2	3" x 77" x .019-EGS Backer	
2	4	1" x 1 1/2" x 79 1/2" Aluminum Tube		6	2	3" x 76" x .019-EGS Backer	
3	2	1" x 1 1/2" x 13 3/4" Aluminum Tube		7	1	1" x 1 1/2" x 62" - Plastic Wire Channel	
4	1	1" x 1 1/2" x 12 3/4" Aluminum Tube		8	1	1" x 1 1/2" x 75" - Plastic Wire Channel	

INTERIOR VIEW



EXTERIOR VIEW



MODEL LIST
T23RBHL



**HERITAGE GLEN/
HEMISPHERE**
PLANT #44

FOREST RIVER INDUSTRIES, INC. CLAIMS PROPRIETARY RIGHTS IN THE MATERIAL DISCLOSED HEREIN. NEITHER THIS DRAWING NOR ANY REPRODUCTION THEREOF MAY BE USED TO MANUFACTURE ANYTHING SHOWN HEREON WITHOUT PERMISSION IN WRITING FROM FOREST RIVER, INC.

BY: **RDL** APPROVED BY: _____ FRACTIONAL TOLERANCE: +/- 1/16"
DATE: 7/18/2018 SHEET #: 1 OF 1 ANGULAR TOLERANCE: +/- 1°
DESCRIPTION: _____ SHEET SIZE: A

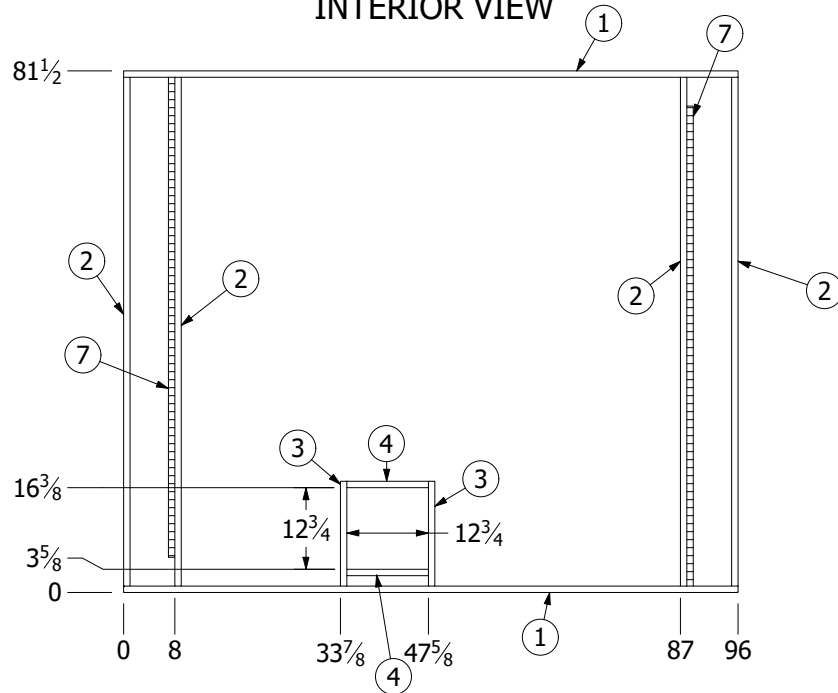
REVISION HISTORY				
REV	ECO #	DESCRIPTION	DATE	BY
B		Convert To Inventor	7/19/2018	RDL
C		CHANGED TOP AND BOTTOM 1 1/2"x1 1/2" TO 1"x1 1/2" TUBE	9/6/2018	MB
D	ECO-19-0317	CHANGED PART NUMBER	2/14/2019	CAS

REAR WALL
REV: **D** VENDOR PART#: _____ DRAWING #: **09-000037**

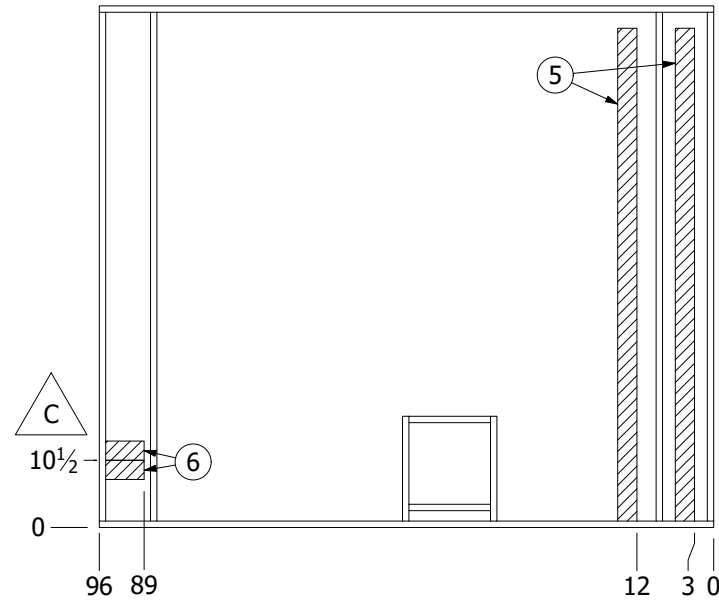
Hyper Lyte

PARTS LIST			PARTS LIST			PARTS LIST		
ITEM	QTY	DESCRIPTION	ITEM	QTY	DESCRIPTION	ITEM	QTY	DESCRIPTION
1	2	1" x 1 1/2" x 96" Aluminum Tube	5	2	3" x 77" x .019-EGS Backer	7	2	1" x 1 1/2" x 75" - Plastic Wire Channel
2	4	1" x 1 1/2" x 79 1/2" Aluminum Tube	6	2	3" x 6" x .019-EGS Backer			
3	2	1" x 1 1/2" x 16 3/8" Aluminum Tube						
4	2	1" x 1 1/2" x 12 3/4" Aluminum Tube						

INTERIOR VIEW



EXTERIOR VIEW



Model List
T24BHHL



**HERITAGE GLEN/
HEMISPHERE
PLANT #44**

FOREST RIVER INDUSTRIES, INC. CLAIMS PROPRIETARY RIGHTS IN THE MATERIAL DISCLOSED HEREIN. NEITHER THIS DRAWING NOR ANY REPRODUCTION THEREOF MAY BE USED TO MANUFACTURE ANYTHING SHOWN HEREON WITHOUT PERMISSION IN WRITING FROM FOREST RIVER INC.

BY: **RDL** APPROVED BY: _____ FRACTIONAL TOLERANCE: +/- 1/16
DATE: 7/17/2018 SHEET #: 1 OF 1 ANGULAR TOLERANCE: +/- 1'
DESCRIPTION: _____ SHEET SIZE: A

REVISION HISTORY				
REV	ECO #	DESCRIPTION	DATE	BY
B		CHANGED TOP AND BOTTOM TUBE FROM 1 1/2" x 1 1/2" TO 1"x1 1/2"	9/6/2018	MB
C		Added Backers For License Plate Light.	9/26/2018	RG
D	ECO-19-0317	CHANGED PART NUMBER	2/14/2019	CAS

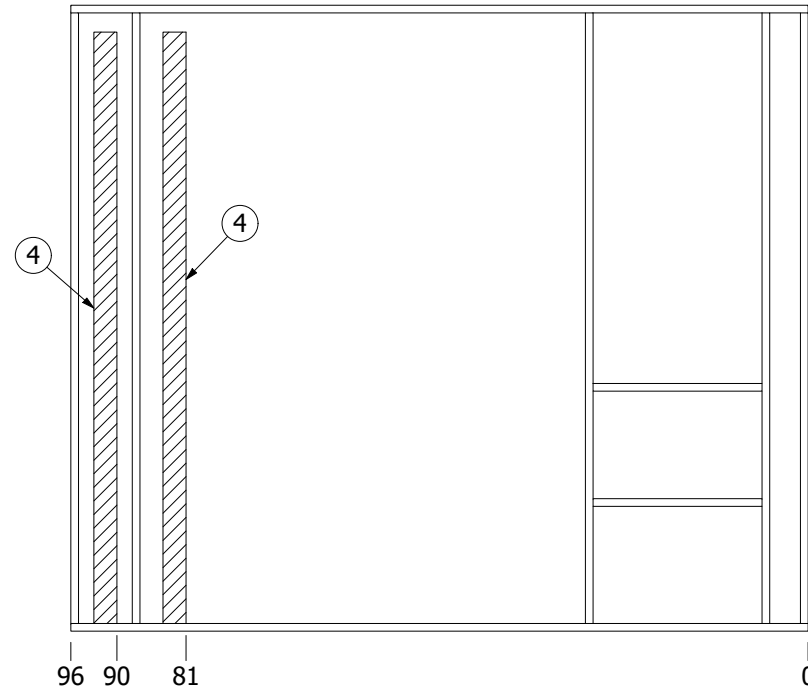
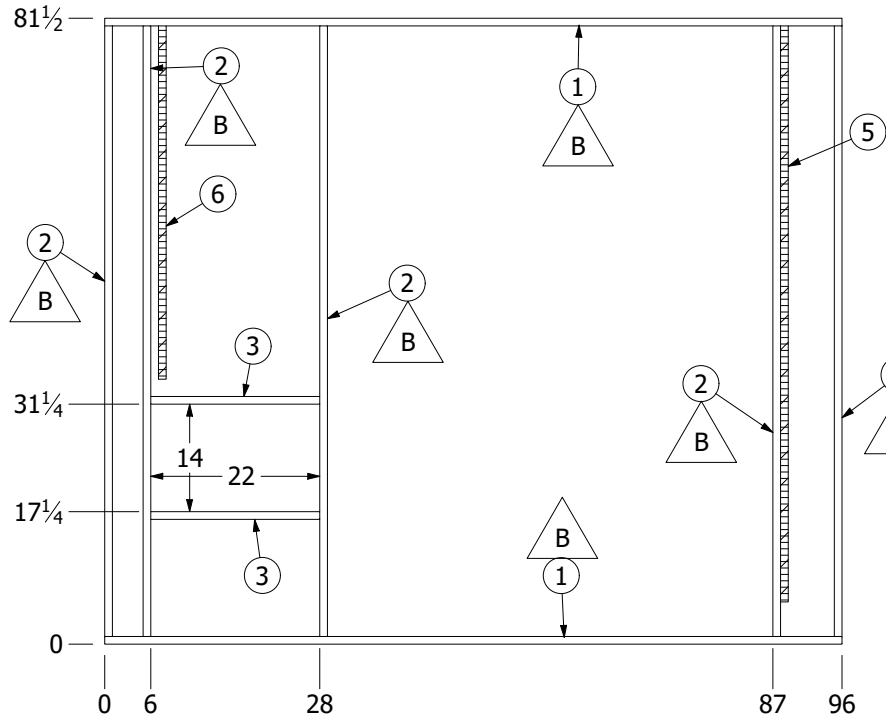
REAR WALL
REV: **D** VENDOR PART#: _____ DRAWING #: **09-000038**

Hyper Lyte

PARTS LIST		
ITEM	QTY	DESCRIPTION
1	2	1" x 1 1/2" x 96" Aluminum Tube
2	5	1" x 1 1/2" x 79 1/2" Aluminum Tube
3	2	1" x 1 1/2" x 22" Aluminum Tube
4	2	3" x 77" x .019-EGS Backer
5	1	1" x 1 1/2" x 75" - Plastic Wire Channel
6	1	1" x 1 1/2" x 46" - Plastic Wire Channel

INTERIOR VIEW

EXTERIOR VIEW



MODEL LIST
T24RKHL



**HERITAGE GLEN/
HEMISPHERE**
PLANT #44

FOREST RIVER INDUSTRIES, INC. CLAIMS PROPRIETARY RIGHTS IN THE MATERIAL DISCLOSED HEREIN. NEITHER THIS DRAWING NOR ANY REPRODUCTION THEREOF MAY BE USED TO MANUFACTURE ANYTHING SHOWN HEREON WITHOUT PERMISSION IN WRITING FROM FOREST RIVER, INC.

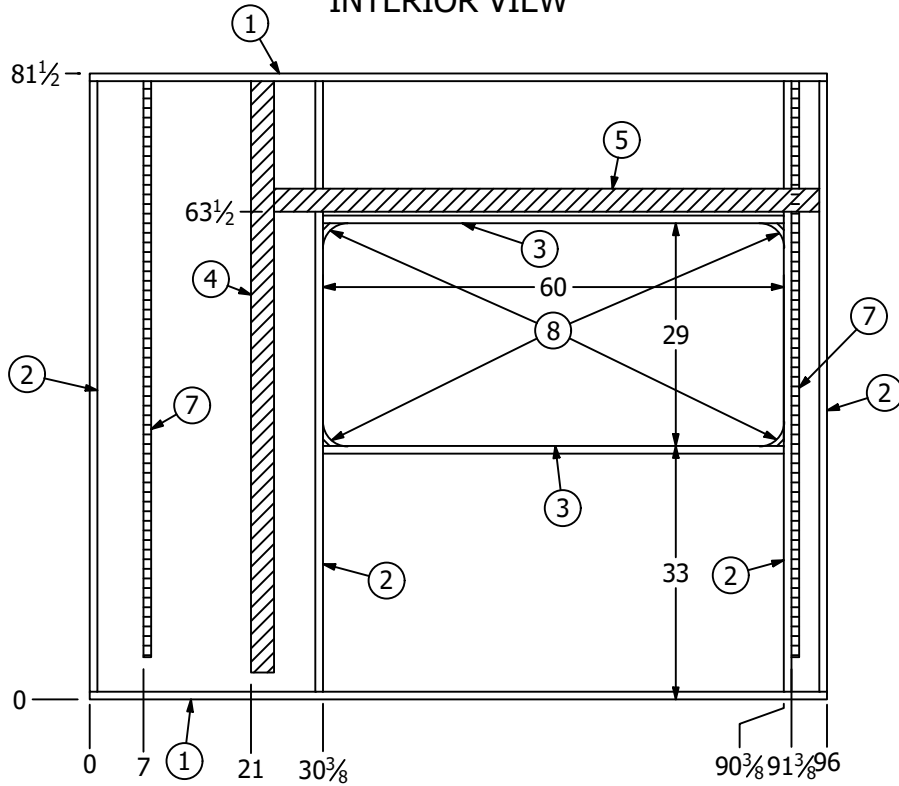
BY: **RDL** APPROVED BY: _____ FRACTIONAL TOLERANCE: +/- 1/16
DATE: 7/18/2018 SHEET #: 1 OF 1 ANGULAR TOLERANCE: +/- 1°
DESCRIPTION: _____ SHEET SIZE: A

REVISION HISTORY				
REV	ECO #	DESCRIPTION	DATE	BY
A		INITIAL RELEASE	7/18/2018	RDL
B		CHANGED TO AND BOTTOM TUBE FROM 1 1/2"x1 1/2" TO 1" x 1 1/2"	9/6/2018	MB
C	ECO-19-0317	CHANGED PART NUMBER	2/14/2019	CAS

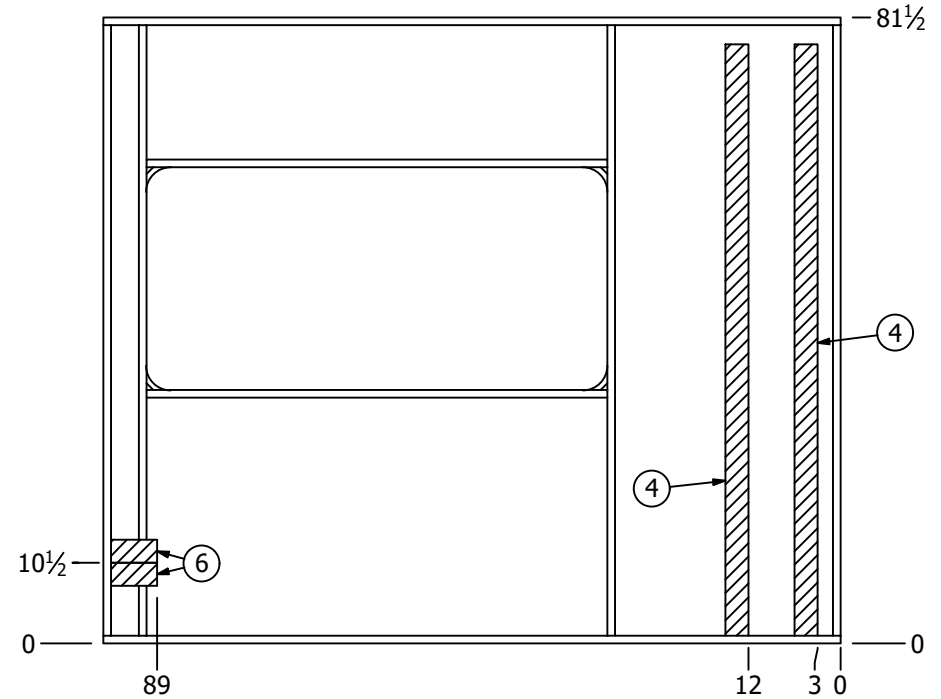
REAR WALL
REV: **C** VENDOR PART#: _____ DRAWING #: **09-000039**

PARTS LIST			PARTS LIST		
ITEM	QTY	DESCRIPTION	ITEM	QTY	DESCRIPTION
1	2	1" x 1 1/2" x 96" Aluminum Tube	7	2	1" x 1 1/2" x 75" - Plastic Wire Channel
2	4	1" x 1 1/2" x 79 1/2" Aluminum Tube	8	4	1 1/2 x 3.2" Radius Block
3	2	1" x 1 1/2" x 60" Aluminum Tube	9	2	48" x 96" - 2.7 MM - LAUAN PANEL
4	3	3" x 77" x .019-EGS Backer	10	2	48" x 81 1/2" - 2.7 MM - DÉCOR PANEL
5	1	3" x 71" x 0.019-EGS Backer	11	1	96" x 96" - FIBERGLASS PANEL - (DEFAULT)
6	2	3" x 6" x .019-EGS Backer			

INTERIOR VIEW



EXTERIOR VIEW



MODEL LIST:
T24RLHL



**HERITAGE GLEN/
HEMISPHERE
PLANT #44**

FOREST RIVER INDUSTRIES, INC. CLAIMS PROPRIETARY RIGHTS IN THE MATERIAL DISCLOSED HEREIN. NEITHER THIS DRAWING NOR ANY REPRODUCTION THEREOF MAY BE USED TO MANUFACTURE ANYTHING SHOWN HEREON WITHOUT PERMISSION IN WRITING FROM FOREST RIVER, INC.

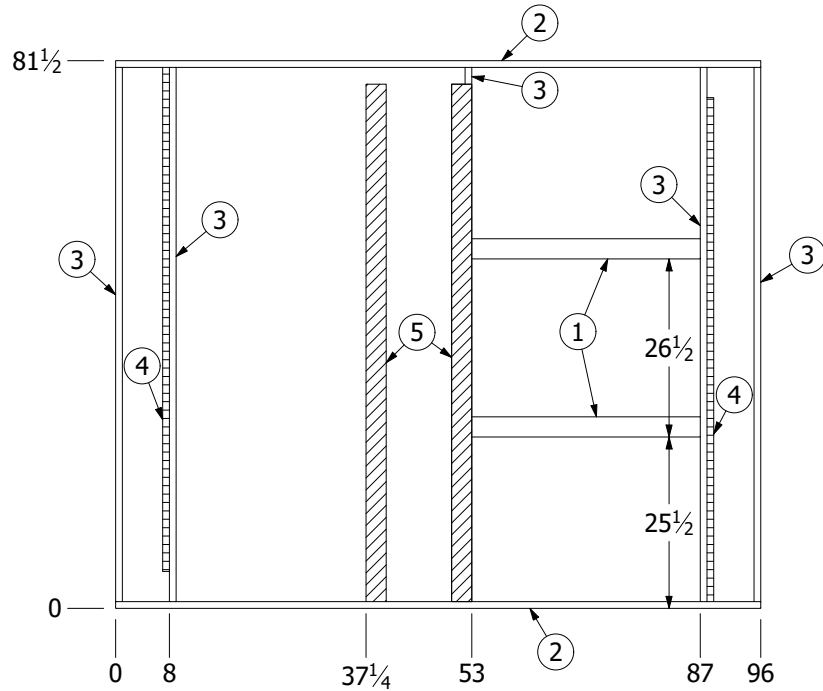
BY: **CLS** APPROVED BY: _____ FRACTIONAL TOLERANCE: +/- 1/16
DATE: 5/23/2019 SHEET #: 1 OF 1 ANGULAR TOLERANCE: +/- 1°
DESCRIPTION: _____ SHEET SIZE: A

REVISION HISTORY				
REV	ECO #	DESCRIPTION	DATE	BY
B	20-0468	CHANGED WINDOW FROM 60x36 TO 60x29	6/27/2019	MB
C	ECO-20-0625	CHANGED WINDOW HEIGHT FROM 26" TO 33"	8/1/2019	CAS
D		UPDATED IPROPERTIES	10/4/2019	EI

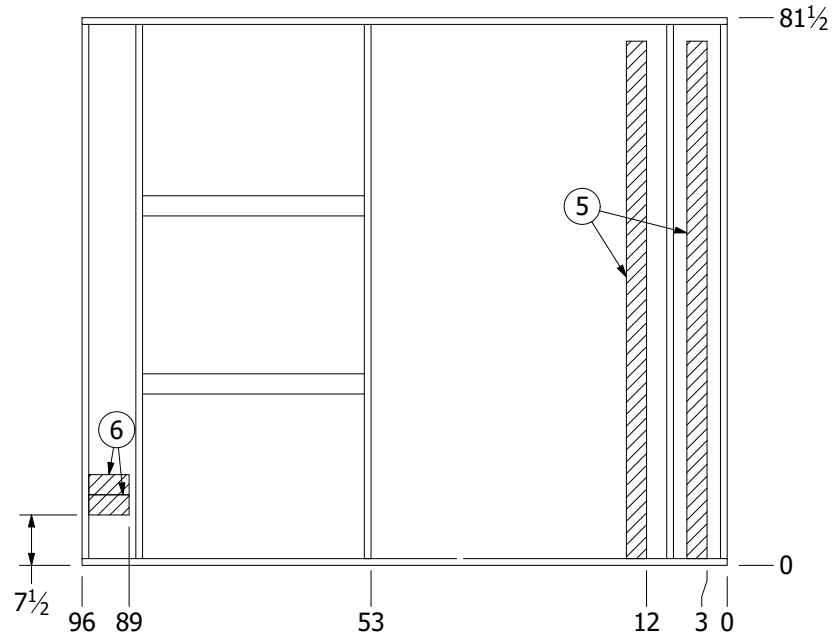
DESCRIPTION: **Rear Wall Assembly**
REV: **D** VENDOR PART #: _____ DRAWING #: **09- 000076**

PARTS LIST			PARTS LIST			PARTS LIST		
ITEM	QTY	DESCRIPTION	ITEM	QTY	DESCRIPTION	ITEM	QTY	DESCRIPTION
1	2	3" x 1 1/2" x 34" Aluminum Tube	5	4	3" x 77" x .019-EGS Backer	7	2	48" x 81 1/2" - 2.7 MM - DÉCOR PANEL
2	2	1" x 1 1/2" x 96" Aluminum Tube	6	2	3" x 6" x .019-EGS Backer	8	2	48" x 81 1/2" - 2.7 MM - LAUAN PANEL
3	5	1" x 1 1/2" x 79 1/2" Aluminum Tube						
4	2	1" x 1 1/2" x 75" - Plastic Wire Channel						

INTERIOR VIEW




EXTERIOR VIEW



**MODEL LIST
T26BHHL**

REVISION HISTORY				
REV	ECO #	DESCRIPTION	DATE	BY
A	19-0162	INITIAL RELEASE	12/19/2018	MB
B		REVISED FOR REAR BUNK	1/8/2019	JDS
C		REVISED FOR FLORRPLAN CHANGE	1/11/2019	JDS

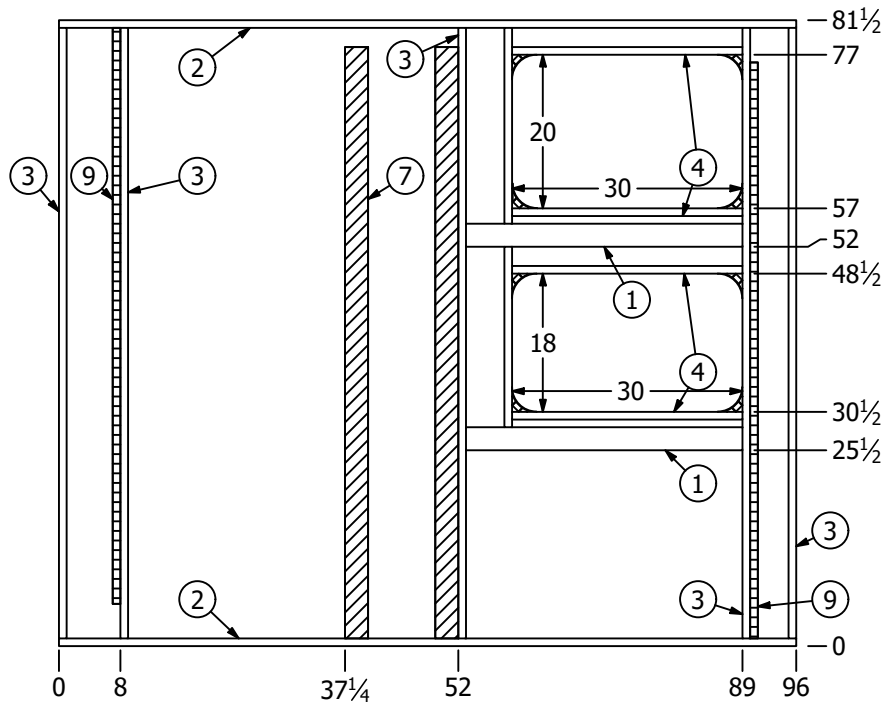


**HERITAGE GLEN/
HEMISPHERE**
PLANT #44

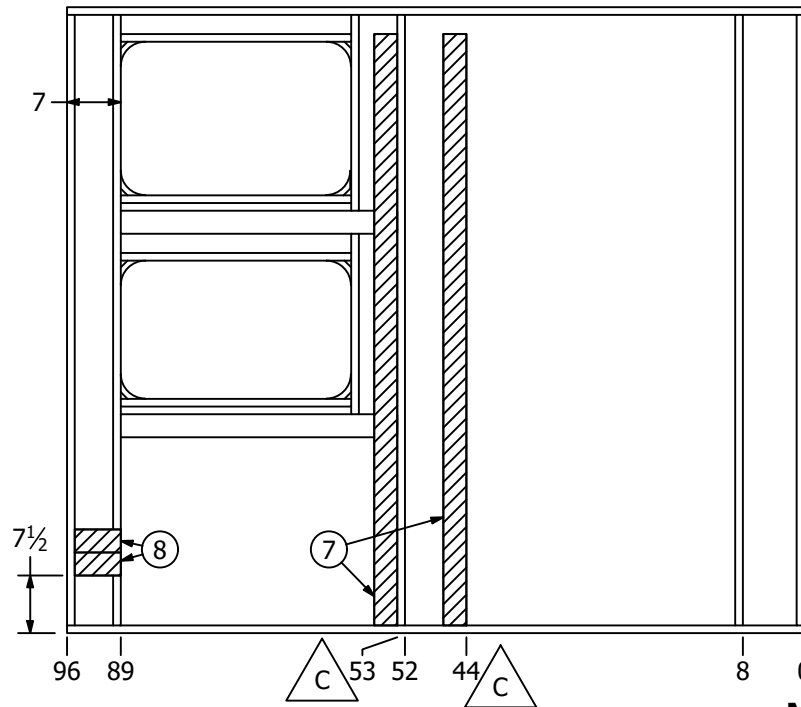
FOREST RIVER INDUSTRIES, INC., CLAIMS PROPRIETARY RIGHTS IN THE MATERIAL DISCLOSED HEREIN. NEITHER THIS DRAWING NOR ANY REPRODUCTION THEREOF MAY BE USED TO MANUFACTURE ANYTHING SHOWN HEREON WITHOUT PERMISSION IN WRITING FROM FOREST RIVER INC.

BY: MB	APPROVED BY:	FRACTIONAL TOLERANCE: +/- 1/16"	ANGULAR TOLERANCE: +/- 1°
DATE: 7/17/2018	SHEET #: 1 OF 1	SHEET SIZE: A	
DESCRIPTION: REAR WALL			
REV: C	VENDOR PART#:	DRAWING #: 09-000024	

PARTS LIST		
ITEM	QTY	DESCRIPTION
1	2	3" x 1 1/2" x 36" Aluminum Tube
2	2	1" x 1 1/2" x 96" Aluminum Tube
3	5	1" x 1 1/2" x 79 1/2" Aluminum Tube
4	4	1" x 1 1/2" x 30" Aluminum Tube
5	1	1" x 1 1/2" x 25 1/2" Aluminum Tube
6	1	1" x 1 1/2" x 23 1/2" Aluminum Tube
7	4	3" x 77" x .019-EGS Backer
8	2	3" x 6" x .019-EGS Backer
9	2	1" x 1 1/2" x 75" - Plastic Wire Channel
10	8	1 1/2 x 3.2" Radius Block



INTERIOR VIEW



EXTERIOR VIEW

MODEL LIST:
T26BHHL



**HERITAGE GLEN/
HEMISPHERE
PLANT #44**

FOREST RIVER INDUSTRIES, INC., CLAIMS PROPRIETARY RIGHTS IN THE MATERIAL DISCLOSED HEREIN. NEITHER THIS DRAWING NOR ANY REPRODUCTION THEREOF MAY BE USED TO MANUFACTURE ANYTHING SHOWN HEREON WITHOUT PERMISSION BY WRITING FROM FOREST RIVER, INC.

BY: **MB** APPROVED BY: _____ FRACTIONAL TOLERANCE: +/- 1/16
ANGULAR TOLERANCE: +/- 1'

DATE: 7/17/2018 SHEET #: 1 OF 1 SHEET SIZE: A

DESCRIPTION:
REAR WALL

REV: **C** VENDOR PART#: _____ DRAWING #: **09-000097**

REVISION HISTORY				
REV	ECO #	DESCRIPTION	DATE	BY
A		INITIAL RELEASE	8/13/2019	JDS
B		UPDATED IPROPERTIES	10/4/2019	EI
C	ECO-21-0778	EXTERIOR BACKERS MOVED TO CENTER OF WALL	8/14/2020	KCH

Hyper Lyte

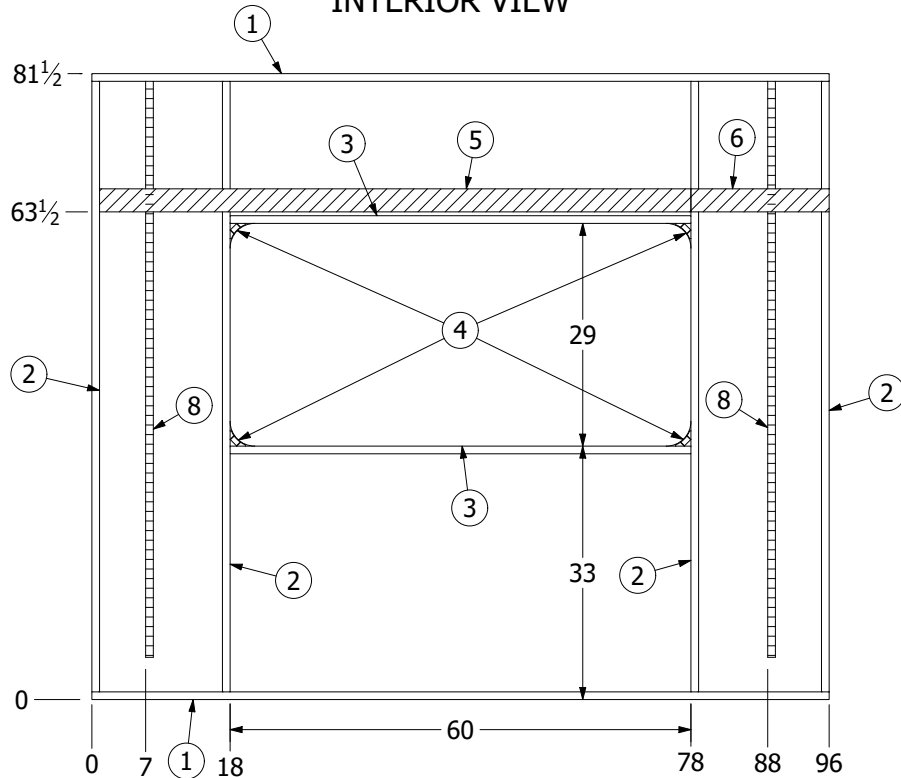
PARTS LIST		
ITEM	QTY	DESCRIPTION
1	2	1" x 1 1/2" x 96" Aluminum Tube
2	4	1" x 1 1/2" x 79 1/2" Aluminum Tube
3	2	1" x 1 1/2" x 60" Aluminum Tube

PARTS LIST		
ITEM	QTY	DESCRIPTION
4	4	1 1/2 x 3.2" Radius Block

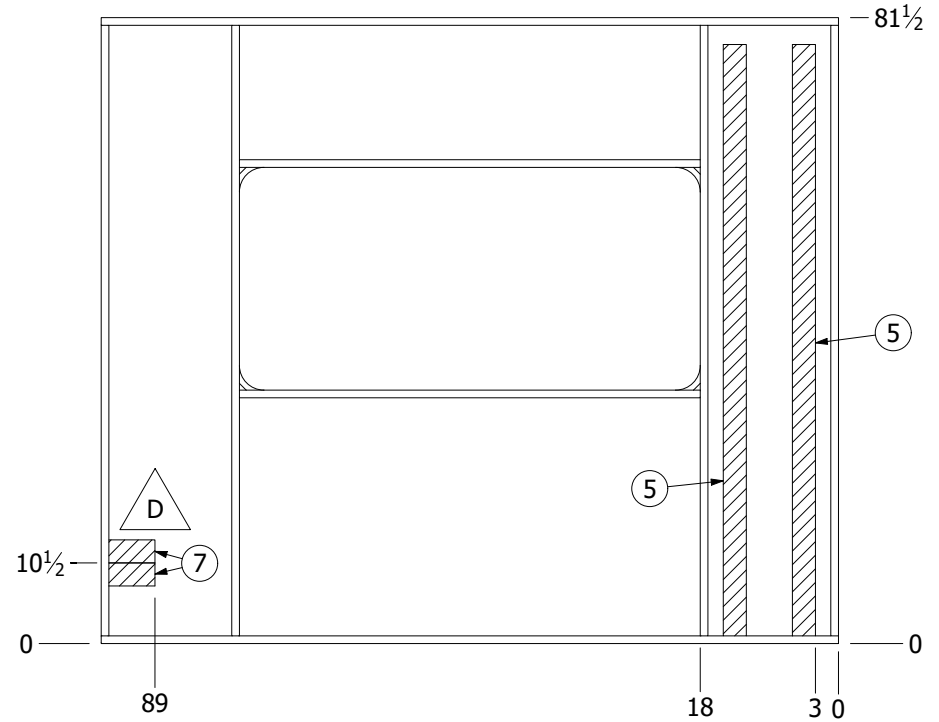
PARTS LIST		
ITEM	QTY	DESCRIPTION
5	3	3" x 77" x .019-EGS Backer
6	1	3" x 18" x 0.019-EGS Backer
7	2	3" x 6" x .019-EGS Backer

PARTS LIST		
ITEM	QTY	DESCRIPTION
8	2	1" x 1 1/2" x 75" - Plastic Wire Channel

INTERIOR VIEW



EXTERIOR VIEW



Model List
T26RLHL



**HERITAGE GLEN/
HEMISPHERE**
PLANT #44

FOREST RIVER INDUSTRIES, INC. CLAIMS PROPRIETARY RIGHTS IN THE MATERIAL DISCLOSED HEREIN. NEITHER THIS DRAWING NOR ANY REPRODUCTION THEREOF MAY BE USED TO MANUFACTURE ANYTHING SHOWN HEREON WITHOUT PERMISSION IN WRITING FROM FOREST RIVER, INC.

BY: **RG** APPROVED BY: _____ FRACTIONAL TOLERANCE: +/- 1/16
DATE: 2/19/2018 SHEET #: 1 OF 1 ANGULAR TOLERANCE: +/- 1'

DESCRIPTION: _____ SHEET SIZE: A

Rear Wall

REV: **E** VENDOR PART #: _____ DRAWING #: **09-000042**

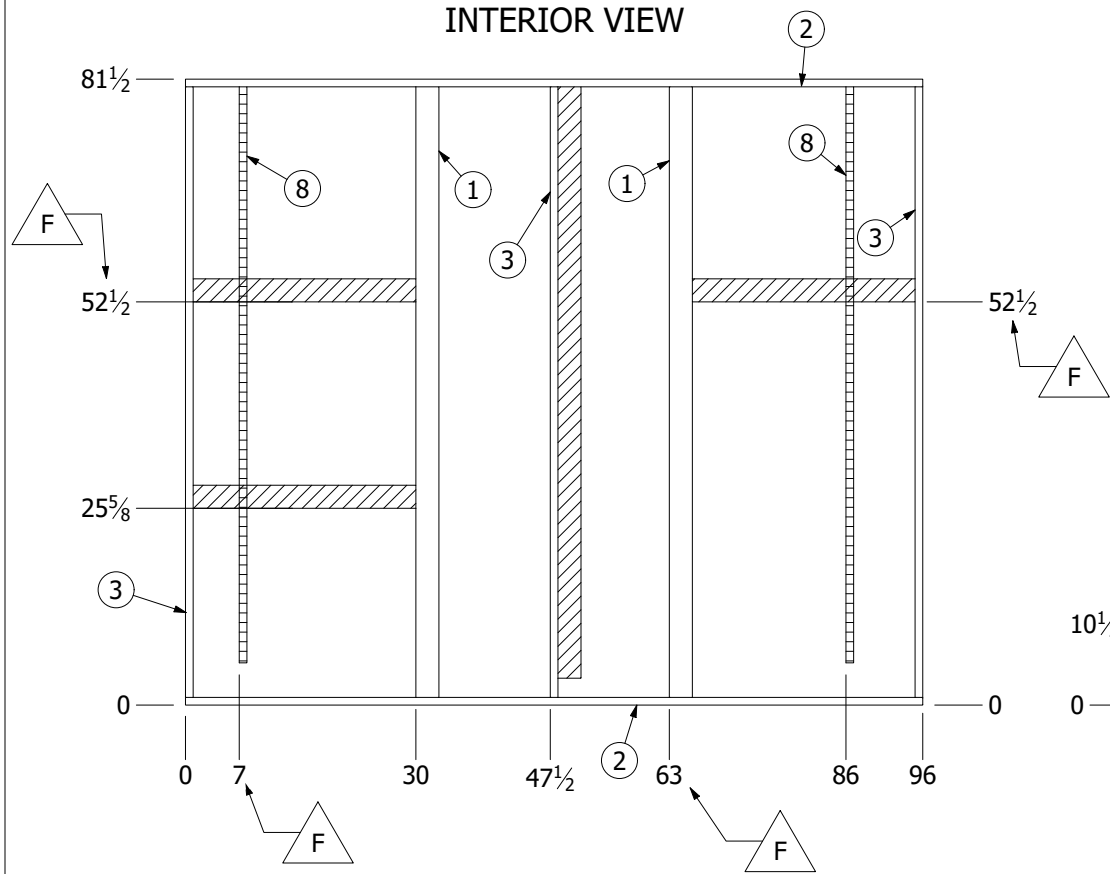
REVISION HISTORY				
REV	ECO #	DESCRIPTION	DATE	BY
C		Changed Window From 72" x 40" To 60" x 29".	7/19/2018	RG
D		Added Backers For License Plate Light.	9/26/2018	RG
E	ECO-19-0317	CHANGED PART NUMBER	2/14/2019	CAS

27RE Does not
have any
backer due to
window.

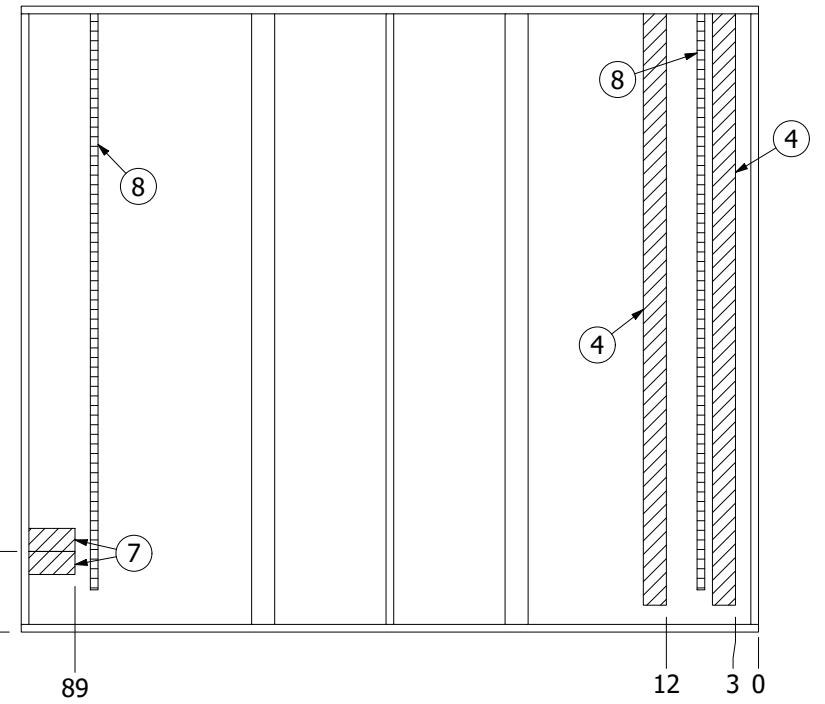
Hyper Lyte

PARTS LIST			PARTS LIST			PARTS LIST		
ITEM	QTY	DESCRIPTION	ITEM	QTY	DESCRIPTION	ITEM	QTY	DESCRIPTION
1	2	3" x 1 1/2" x 79 1/2" Aluminum Tube	4	3	3" x 77" x .019-EGS Backer	8	2	1" x 1 1/2" x 75" - Plastic Wire Channel
2	2	1" x 1 1/2" x 96" Aluminum Tube	5	3	3" x 29" x .019-EGS Backer			
3	3	1" x 1 1/2" x 79 1/2" Aluminum Tube	7	2	3" x 6" x .019-EGS Backer			

INTERIOR VIEW



EXTERIOR VIEW



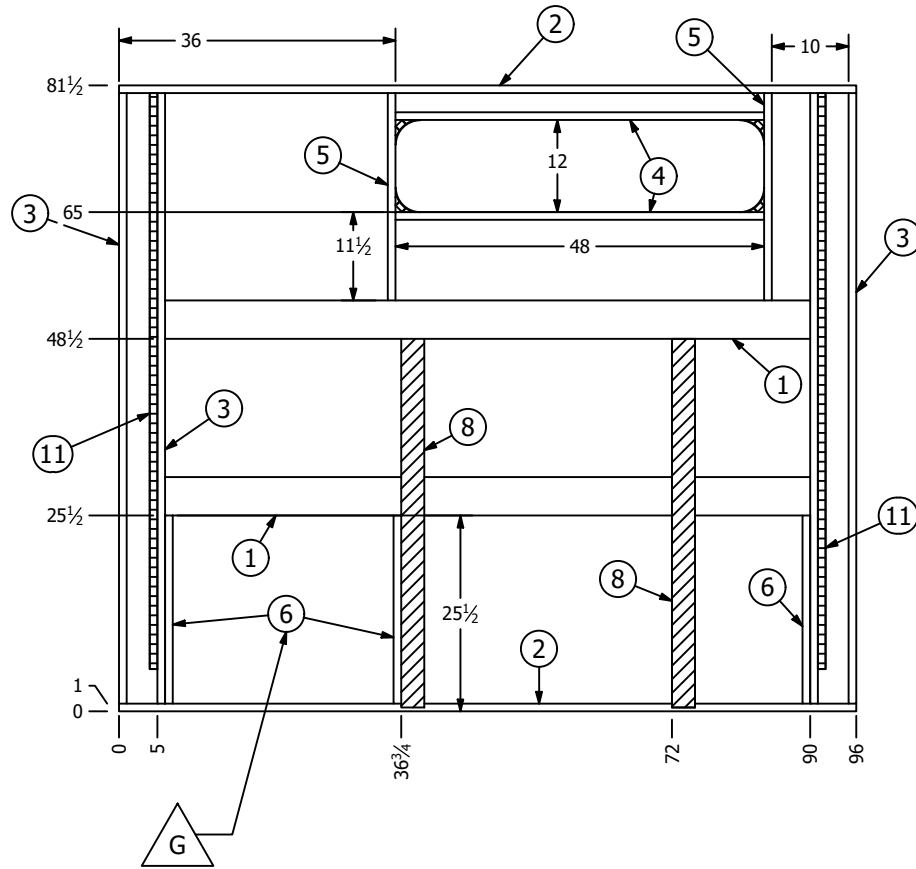
Model List
T29BHHL



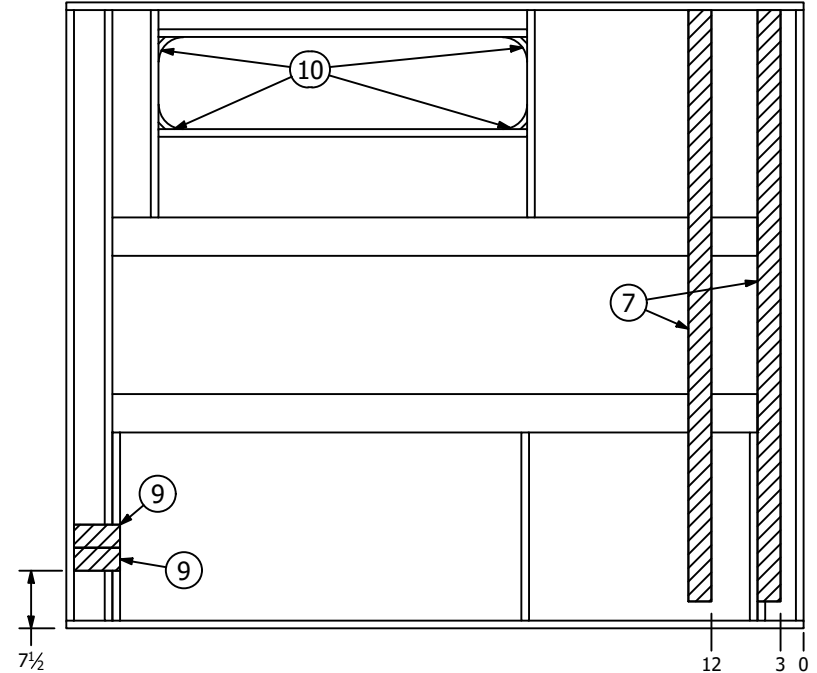
REVISION HISTORY				
REV	ECO #	DESCRIPTION	DATE	BY
D	19-0299	CHANGED TUBES AT 28 AND 71 1/2 TO 3" AND REPLACED TUBES AT 25 5/8 AND 49 5/8 UP WITH EGS	1/31/2019	CAS
E	ECO-19-0367	MOVED TUBE AT 27 TO 30. MOVED TUBE AT 71 1/2 TO 68 1/2 . ADDED BACKER FOR WARD.	2/21/2019	CAS
F	ECO-19-0396	MOVED WIRE CHANNEL FROM 9 TO 7 AND MOVED TUBE FROM 71 1/2 TO 63 AND ADJUSTED BACKER LAYOUT	2/27/2019	CAS

BY: RDL	APPROVED BY:	FRACTIONAL TOLERANCE: +/- 1/16
DATE: 7/20/2018	SHEET #: 1 OF 1	ANGULAR TOLERANCE: +/- 1'
DESCRIPTION: REAR WALL		
REV: F	VENDOR PART#:	DRAWING #: 09-000029

PARTS LIST			PARTS LIST		
ITEM	QTY	DESCRIPTION	ITEM	QTY	DESCRIPTION
1	2	5" x 1 1/2" x 84" - DBL HOLLOW	7	2	3" x 77" x .019-EGS Backer
2	2	1" x 1 1/2" x 96" Aluminum Tube	8	2	3" x 48" x .019-EGS Backer
3	4	1" x 1 1/2" x 79 1/2" Aluminum Tube	9	2	3" x 6" x .019-EGS Backer
4	2	1" x 1 1/2" x 48" Aluminum Tube	10	4	1 1/2 x 3.2" Radius Block
5	2	1" x 1 1/2" x 27" Aluminum Tube	11	2	1" x 1 1/2" x 75" - Plastic Wire Channel
6	3	1" x 1 1/2" x 24 1/2" Aluminum Tube	12	1	96" x 84" - FIBERGLASS PANEL - (DEFAULT)



INTERIOR VIEW



EXTERIOR VIEW

MODEL LIST:
T29XBHL



**HERITAGE GLEN/
HEMISPHERE
PLANT #44**

FOREST RIVER INDUSTRIES, INC., CLAIMS PROPRIETARY RIGHTS IN THE MATERIAL DISCLOSED HEREIN. NEITHER THIS DRAWING NOR ANY REPRODUCTION THEREOF MAY BE USED TO MANUFACTURE ANYTHING SHOWN HEREON WITHOUT PERMISSION BY WRITING FROM FOREST RIVER, INC.

BY: JDS APPROVED BY: FRACTIONAL TOLERANCE: +/- 1/16

DATE: 8/30/2019 SHEET #: 1 OF 1 ANGULAR TOLERANCE: +/- 1° SHEET SIZE: A

REVISION HISTORY				
REV	ECO #	DESCRIPTION	DATE	BY
E	20-0998	10" was 5 1/2" and 36" was 18 3/4"	10/21/2019	KCH
F	ECO-20-1193	TUBE AT 48 1/2" WAS 50"	11/4/2019	KCH
G	ECO-20-1525	(2) 1 x 1 1/2 x 24 1/2 TUBE'S ADDED	1/23/2020	KCH

DESCRIPTION:

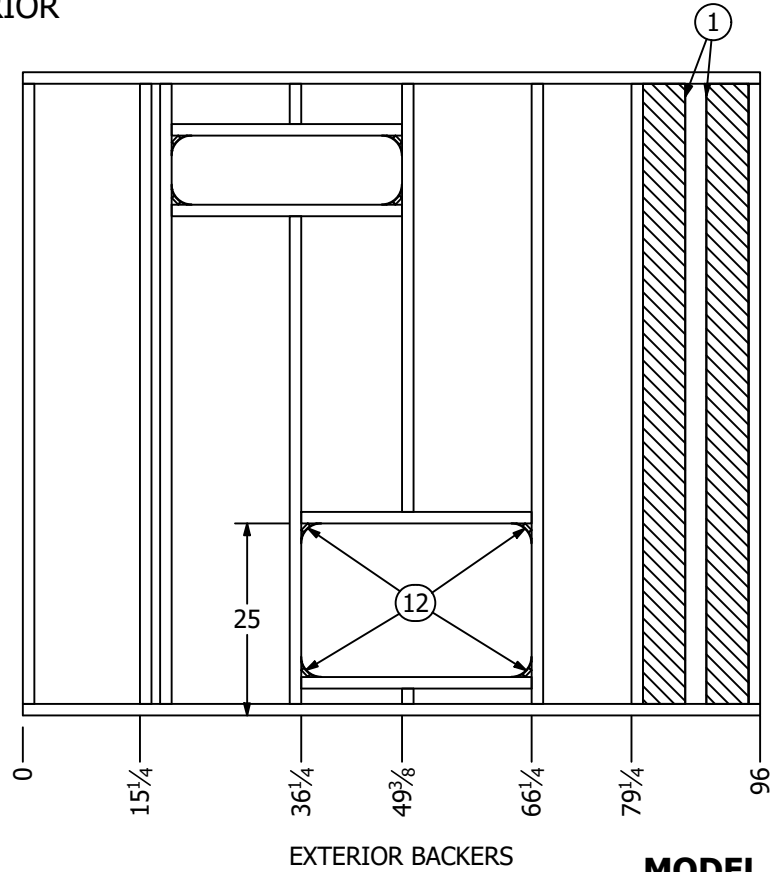
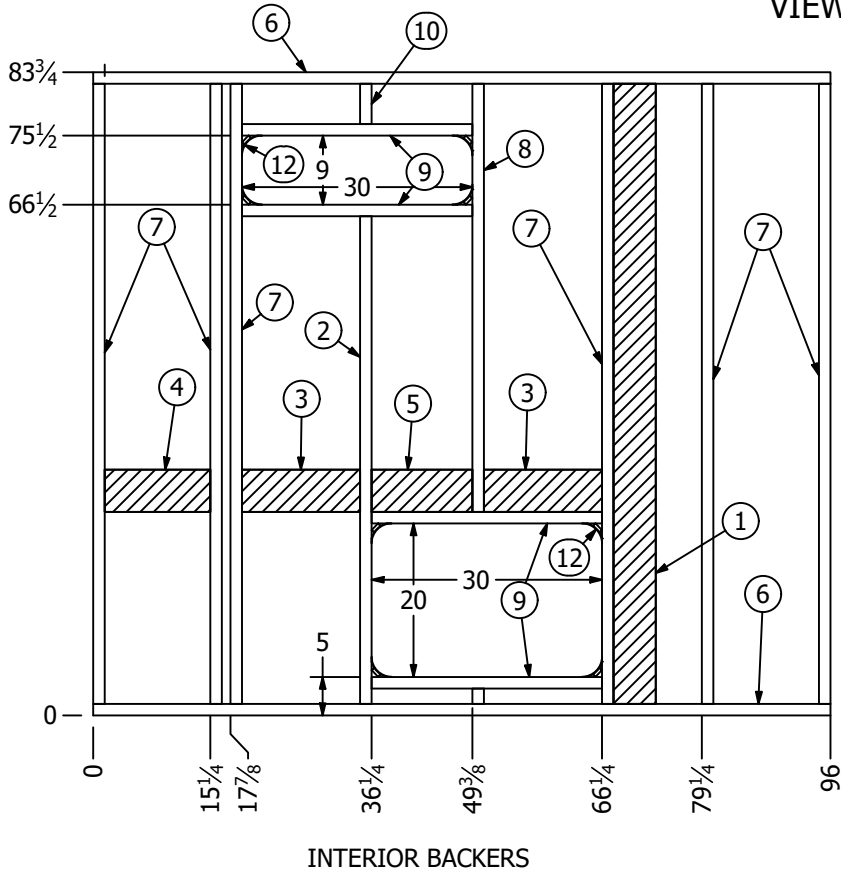
REAR WALL ASSEMBLY (BUNK WALL)

REV: G VENDOR PART#: DRAWING #: 09-000100

PARTS LIST		
ITEM	QTY	DESCRIPTION
1	3	2 x 6 x 80 3/4" - WOOD SPF
2	1	2 x 2 x 63 1/2" - WOOD SPF
3	2	2 x 6 x 15 3/8" - WOOD SPF
4	1	2" x 6" x 13 3/4" - WOOD SPF
5	1	2 x 6 x 13 1/8" - WOOD SPF

PARTS LIST		
ITEM	QTY	DESCRIPTION
6	2	2 x 2 x 96" - WOOD SPF
7	6	2 x 2 x 80 3/4" - WOOD SPF
8	1	2 x 2 x 55 3/4" - WOOD SPF
9	4	2 x 2 x 30" - WOOD SPF
10	1	2 x 2 x 5 1/4" - WOOD SPF
11	1	2 x 2 x 2" - WOOD SPF
12	8	1 1/2 x 2.62" Radius Block

VIEWED FROM INTERIOR



**MODEL LIST:
T270FKS**



**HERITAGE GLEN/
HEMISPHERE
PLANT #44**

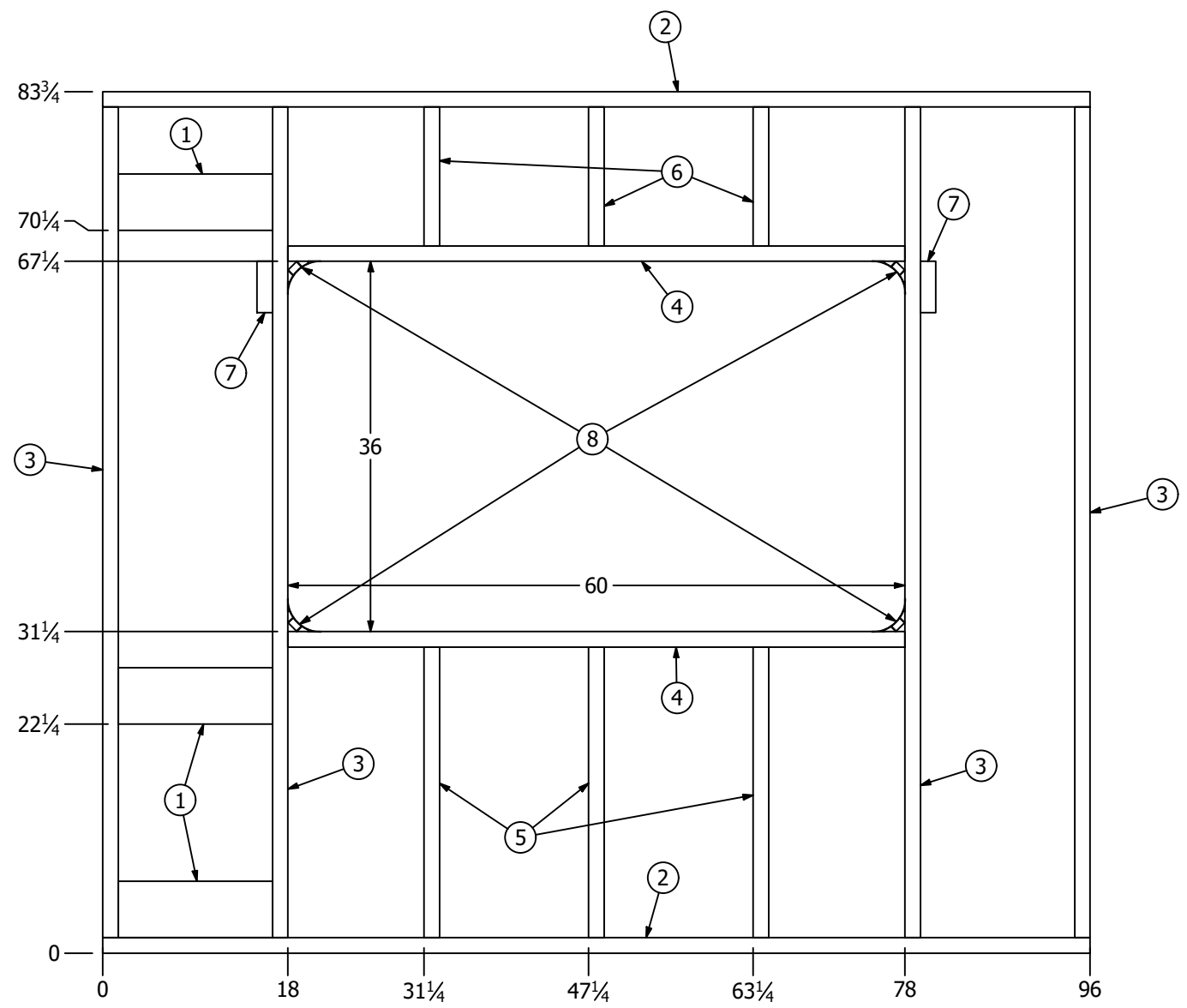
THE INFORMATION CONTAINED IN THIS DOCUMENT IS PROPRIETARY, CONFIDENTIAL, AND INTENDED ONLY FOR FOREST RIVER PERSONNEL. AUTHORIZED FOREST RIVER DEALERS, OR OTHER QUALIFIED REPAIR SHOPS, NEITHER THIS DRAWING NOR ANY REPRODUCTION THEREOF MAY BE USED FOR ANY PURPOSE WITHOUT PERMISSION IN WRITING FROM FOREST RIVER, INC. IF YOU ARE NOT THE INTENDED RECIPIENT, PLEASE RETURN TO FOREST RIVER, INC. OR DESTROY. PLEASE DO NOT PRINT AND USE OR REPLICATION OF THIS DOCUMENT IS NOT PERMITTED AND MAY BE CAUSE FOR LEGAL ACTION.

BY: **JDS** APPROVED BY: _____ FRACTIONAL TOLERANCE: +/- 1/16
DATE: 2/24/2020 SHEET #: 1 OF 1 ANGULAR TOLERANCE: +/- 1'

REVISION HISTORY				
REV	ECO #	DESCRIPTION	DATE	BY
B		UPDATED MODEL NAME	3/3/2020	SAB
C		CHANGED WALL FROM LAMINATED TO STICK BUILT	3/6/2020	SAB
D	ECO-21-0083	ADDED 30 x 9 WINDOW	5/28/2020	KCH

DESCRIPTION: **REAR WALL ASSEMBLY**
REV: **D** VENDOR PART#: _____ DRAWING #: **09-000155**

PARTS LIST		
ITEM	QTY	DESCRIPTION
1	3	2 x 6 x 15" - WOOD SPF
2	2	2" x 2" x 96" - WOOD SPF
3	4	2 x 2 x 80 3/4" - WOOD SPF
4	2	2 x 2 x 60" - WOOD SPF
5	3	2" x 2" x 28 1/4" - WOOD SPF
6	3	2 x 2 x 13 1/2" - WOOD SPF
7	2	2 x 2 x 5" - WOOD SPF
8	4	1 1/2 x 3.2" Radius Block



MODEL LIST:
T273RL
T271RL



**HERITAGE GLEN/
HEMISPHERE
PLANT #44**

FOREST RIVER INDUSTRIES, INC. CLAIMS PROPRIETARY RIGHTS IN THE MATERIAL DISCLOSED HEREIN. NEITHER THIS DRAWING NOR ANY REPRODUCTION THEREOF MAY BE USED TO MANUFACTURE ANYTHING SHOWN HEREON WITHOUT PERMISSION FROM FOREST RIVER INC.

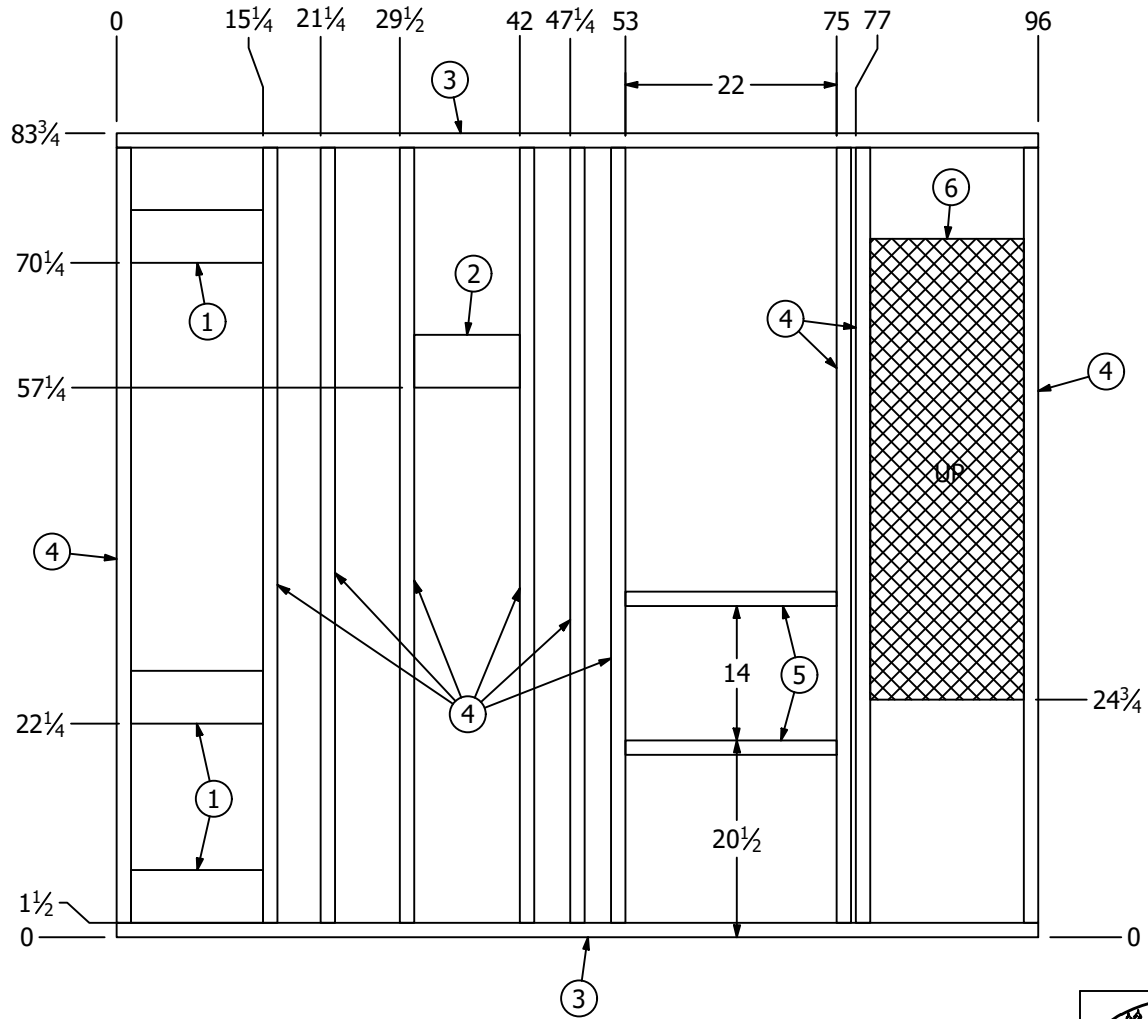
BY: **JDS** APPROVED BY: _____ FRACTIONAL TOLERANCE: +/- 1/16
DATE: 5/29/2019 SHEET #: 1 OF 1 ANGULAR TOLERANCE: +/- 1'
DESCRIPTION: _____ SHEET SIZE: A

REVISION HISTORY				
REV	ECO #	DESCRIPTION	DATE	BY
E	ECO-20-0552	REMOVED T308RL FROM MODEL LIST	7/30/2019	JDS
F	ECO-20-0765	ADDED T271RL TO MODEL LIST	8/21/2019	JDS
G		UPDATED IPROPERTIES	10/4/2019	ei

REAR WALL ASSEMBLY
REV: **G** VENDOR PART #: _____ DRAWING #: **09-000040**

PARTS LIST			PARTS LIST			PARTS LIST		
ITEM	QTY	DESCRIPTION	ITEM	QTY	DESCRIPTION	ITEM	QTY	DESCRIPTION
1	3	2 x 6 x 13 3/4" - WOOD SPF	3	2	2 x 2 x 96" - WOOD SPF	6	1	48" x 16" x 1/2" - PLYWOOD
2	1	2 x 6 x 11" - WOOD SPF	4	10	2 x 2 x 80 3/4" - WOOD SPF			
			5	2	2" x 2" x 22" - WOOD SPF			

Viewed From Interior



MODEL LIST:
T283RK



**HERITAGE GLEN/
HEMISPHERE
PLANT #44**

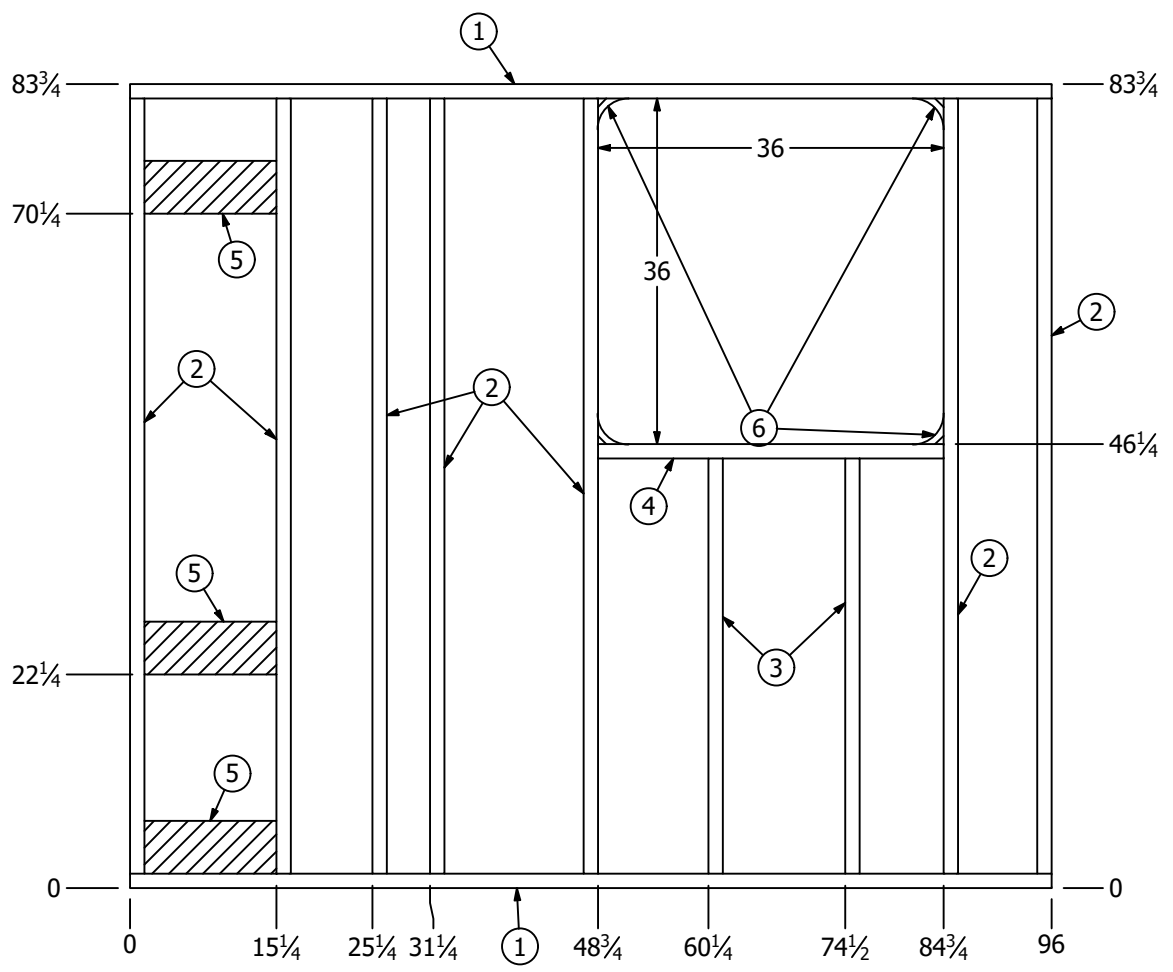
FOREST RIVER INDUSTRIES, INC. CLAIMS PROPRIETARY RIGHTS IN THE MATERIAL DISCLOSED HEREIN. NEITHER THIS DRAWING NOR ANY REPRODUCTION THEREOF MAY BE USED TO MANUFACTURE ANYTHING SHOWN HEREON WITHOUT PERMISSION IN WRITING FROM FOREST RIVER, INC.

BY: **RG** APPROVED BY: _____ FRACTIONAL TOLERANCE: +/- 1/16
DATE: 8/14/2018 SHEET #: 1 OF 1 SHEET SIZE: A
ANGULAR TOLERANCE: +/- 1°

REVISION HISTORY				
REV	ECO #	DESCRIPTION	DATE	BY
A		Initial Release.	8/14/2018	RG
B	ECO19-0317	CHANGED PART NUMBER	2/14/2019	CAS
C		UPDATED IPROPERTIES	10/4/2019	EI

DESCRIPTION: **Rear Wall**
REV: **C** VENDOR PART#: _____ DRAWING #: **09-000043**

PARTS LIST		
ITEM	QTY	DESCRIPTION
1	2	1 1/2" x 1 1/2" x 96" Aluminum Tube
2	7	1 1/2" x 1 1/2" x 80 3/4" Aluminum Tube
3	2	1 1/2" x 1 1/2" x 43 1/4" Aluminum Tube
4	1	1 1/2" x 1 1/2" x 36" Aluminum Tube
5	3	2 x 6 x 13 3/4" - WOOD SPF
6	4	1 1/2 x 3.2" Radius Block



VIEWED FROM INSIDE

MODEL LIST:
T300BH
T310BHI



**HERITAGE GLEN/
HEMISPHERE
PLANT #44**

FOREST RIVER INDUSTRIES, INC. CLAIMS PROPRIETARY RIGHTS IN THE MATERIAL DISCLOSED HEREIN. NEITHER THIS DRAWING NOR ANY REPRODUCTION THEREOF MAY BE USED TO MANUFACTURE ANYTHING SHOWN HEREON WITHOUT PERMISSION IN WRITING FROM FOREST RIVER, INC.

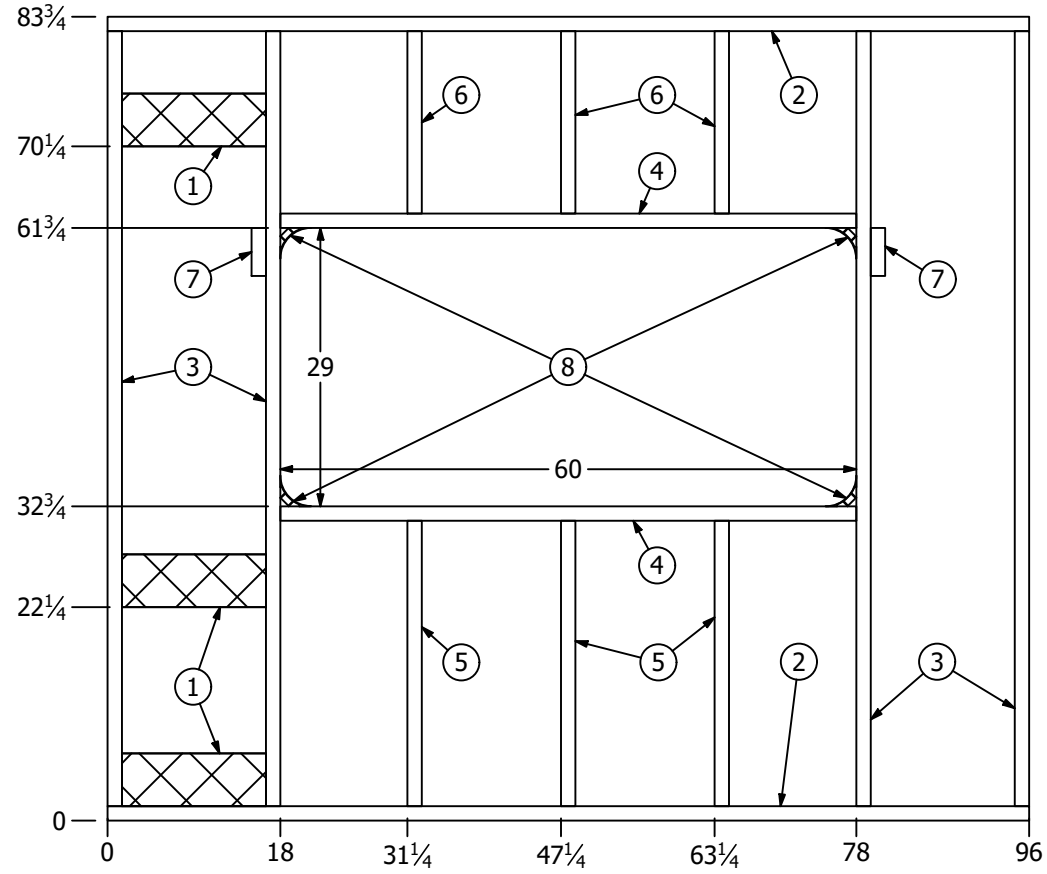
BY: **MB** APPROVED BY: _____ FRACTIONAL TOLERANCE: +/- 1/16
DATE: 9/18/2018 SHEET #: 1 OF 1 ANGULAR TOLERANCE: +/- 1°
DESCRIPTION: _____ SHEET SIZE: A

REVISION HISTORY				
REV	ECO #	DESCRIPTION	DATE	BY
B	ECO-19-0317	CHANGED PART NUMBER	2/14/2019	CAS
C	ECO-20-0534	ADDED T310BHI TO MODEL LIST	8/21/2019	JDS
D		UPDATED IPROPERTIES	10/4/2019	EI

REAR WALL ASSEMBLY

REV: **D** VENDOR PART#: _____ DRAWING #: **09-000044**

PARTS LIST		
ITEM	QTY	DESCRIPTION
1	3	2 x 6 x 15" - WOOD SPF
2	2	2" x 2" x 96" - WOOD SPF
3	4	2 x 2 x 80 3/4" - WOOD SPF
4	2	2 x 2 x 60" - WOOD SPF
5	3	2 x 2 x 29 3/4" - WOOD SPF
6	3	2 x 2 x 19" - WOOD SPF
7	2	2 x 2 x 5" - WOOD SPF
8	4	1 1/2 x 3.2" Radius Block



VIEWED FROM INTERIOR

**MODEL LIST:
T308RL**



**HERITAGE GLEN/
HEMISPHERE
PLANT #44**

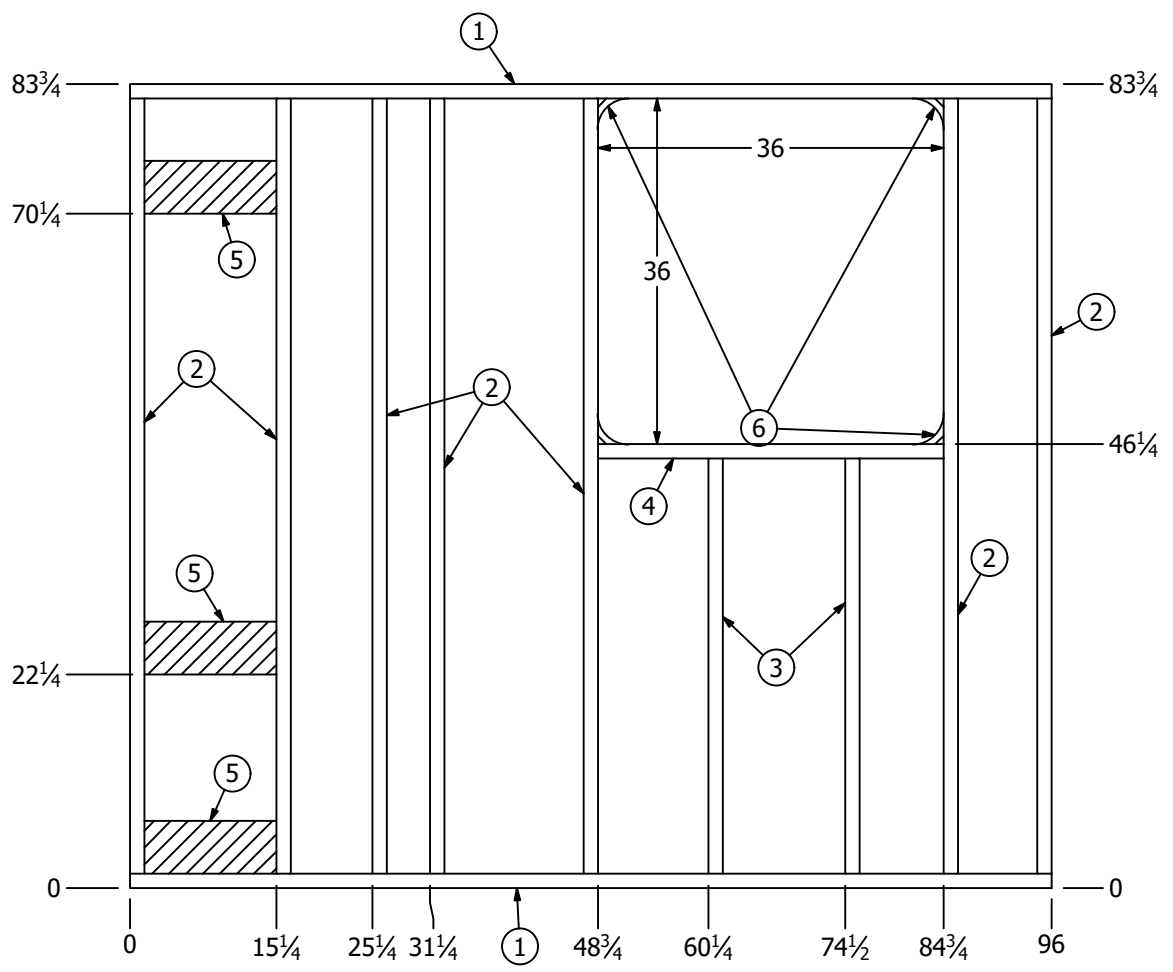
FOREST RIVER INDUSTRIES, INC., CLAIMS PROPRIETARY RIGHTS IN THE MATERIAL DISCLOSED HEREIN. NEITHER THIS DRAWING NOR ANY REPRODUCTION THEREOF MAY BE USED TO MANUFACTURE ANYTHING SHOWN HEREON WITHOUT PERMISSION IN WRITING FROM FOREST RIVER, INC.

BY: **JDS** APPROVED BY: _____ FRACTIONAL TOLERANCE: +/- 1/16
 DATE: 7/30/2019 SHEET #: 1 OF 1 ANGULAR TOLERANCE: +/- 1'

REVISION HISTORY				
REV	ECO #	DESCRIPTION	DATE	BY
A	ECO-20-0552	INITIAL RELEASE	7/30/2019	JDS
B		UPDATED IPROPERTIES	10/4/2019	EI
C		UPDATED IPROPERTIES	2/26/2020	EI

DESCRIPTION: **REAR WALL ASSEMBLY**
 REV: **C** VENDOR PART#: _____ DRAWING #: **09- 000095**

PARTS LIST		
ITEM	QTY	DESCRIPTION
1	2	1 1/2" x 1 1/2" x 96" Aluminum Tube
2	7	1 1/2" x 1 1/2" x 80 3/4" Aluminum Tube
3	2	1 1/2" x 1 1/2" x 43 1/4" Aluminum Tube
4	1	1 1/2" x 1 1/2" x 36" Aluminum Tube
5	3	2 x 6 x 13 3/4" - WOOD SPF
6	4	1 1/2 x 3.2" Radius Block



VIEWED FROM INSIDE

MODEL LIST:
T300BH
T310BHI



**HERITAGE GLEN/
HEMISPHERE
PLANT #44**

FOREST RIVER INDUSTRIES, INC. CLAIMS PROPRIETARY RIGHTS IN THE MATERIAL DISCLOSED HEREIN. NEITHER THIS DRAWING NOR ANY REPRODUCTION THEREOF MAY BE USED TO MANUFACTURE ANYTHING SHOWN HEREON WITHOUT PERMISSION IN WRITING FROM FOREST RIVER, INC.

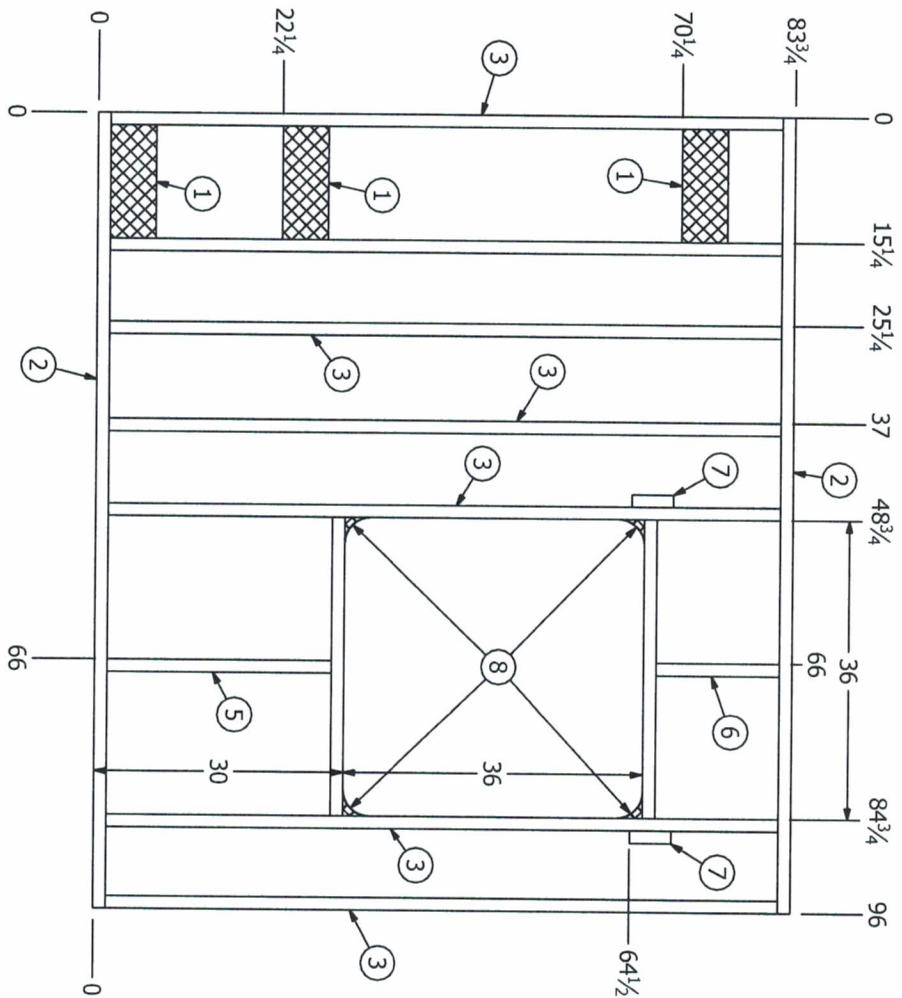
BY: **MB** APPROVED BY: _____ FRACTIONAL TOLERANCE: +/- 1/16"
DATE: 9/18/2018 SHEET #: 1 OF 1 ANGULAR TOLERANCE: +/- 1°
DESCRIPTION: _____ SHEET SIZE: A


REVISION HISTORY				
REV	ECO #	DESCRIPTION	DATE	BY
B	ECO-19-0317	CHANGED PART NUMBER	2/14/2019	CAS
C	ECO-20-0534	ADDED T310BHI TO MODEL LIST	8/21/2019	JDS
D		UPDATED IPROPERTIES	10/4/2019	EI

REAR WALL ASSEMBLY

REV: **D** VENDOR PART#: _____ DRAWING #: **09-000044**

PARTS LIST		PARTS LIST		PARTS LIST		PARTS LIST	
ITEM	QTY	DESCRIPTION	ITEM	QTY	DESCRIPTION	ITEM	QTY
1	3	2 x 6 x 13 3/4" - WOOD SPF	2	2	2 x 2 x 96" - WOOD SPF	5	1
			3	7	2 x 2 x 80 3/4" - WOOD SPF	6	1
			4	2	2" x 2" x 36" - WOOD SPF	7	2
						8	4
							1
							1 1/2 x 3.2" Radius Block



 = Backer

Model List
T312QBUD
T314BUD

FOREST
RIVER
HERITAGE GLEN/
HEMISPHERE
PLANT # 44

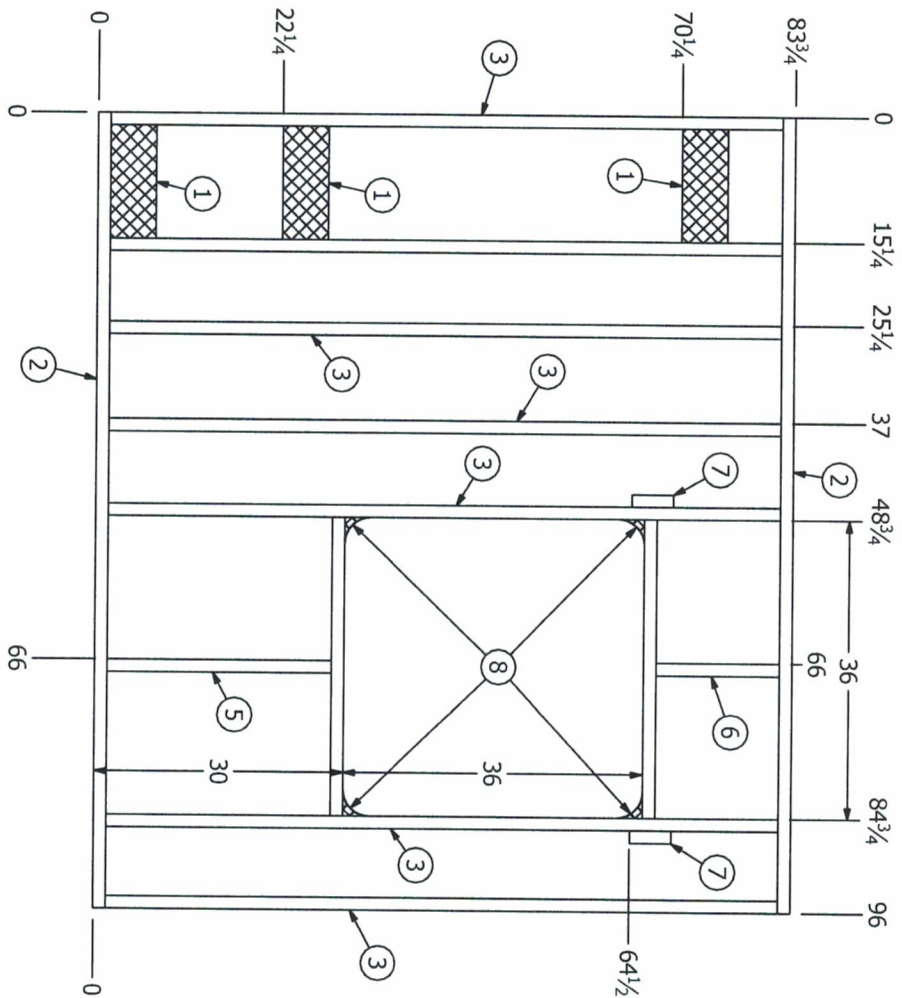
REVISION HISTORY


REV	ECO #	DESCRIPTION	DATE	BY
A		Initial Release.	6/7/2018	RG
B		Converted To Inventor.	6/15/2018	RG
		CHANGED PART NUMBER	2/14/2019	CAS

314BUD PROTO 1

DATE: 6/7/2018	SHEET #: 1 OF 1	SHEET SIZE: A
DESCRIPTION: Rear Wall	VENDOR PART#:	DRAWING #:
BY: RG	APPROVED BY:	ANGULAR TOLERANCE: +/-1°
REVISION: C	VENDOR PART#:	09-000046

PARTS LIST		PARTS LIST		PARTS LIST		PARTS LIST	
ITEM	QTY	DESCRIPTION	ITEM	QTY	DESCRIPTION	ITEM	QTY
1	3	2 x 6 x 13 3/4" - WOOD SPF	2	2	2 x 2 x 96" - WOOD SPF	5	1
			3	7	2 x 2 x 80 3/4" - WOOD SPF	6	1
			4	2	2" x 2" x 36" - WOOD SPF	7	2
						8	4
							1 1/2 x 3.2" Radius Block



 = Backer

Model List
T312QBUD
T314BUD



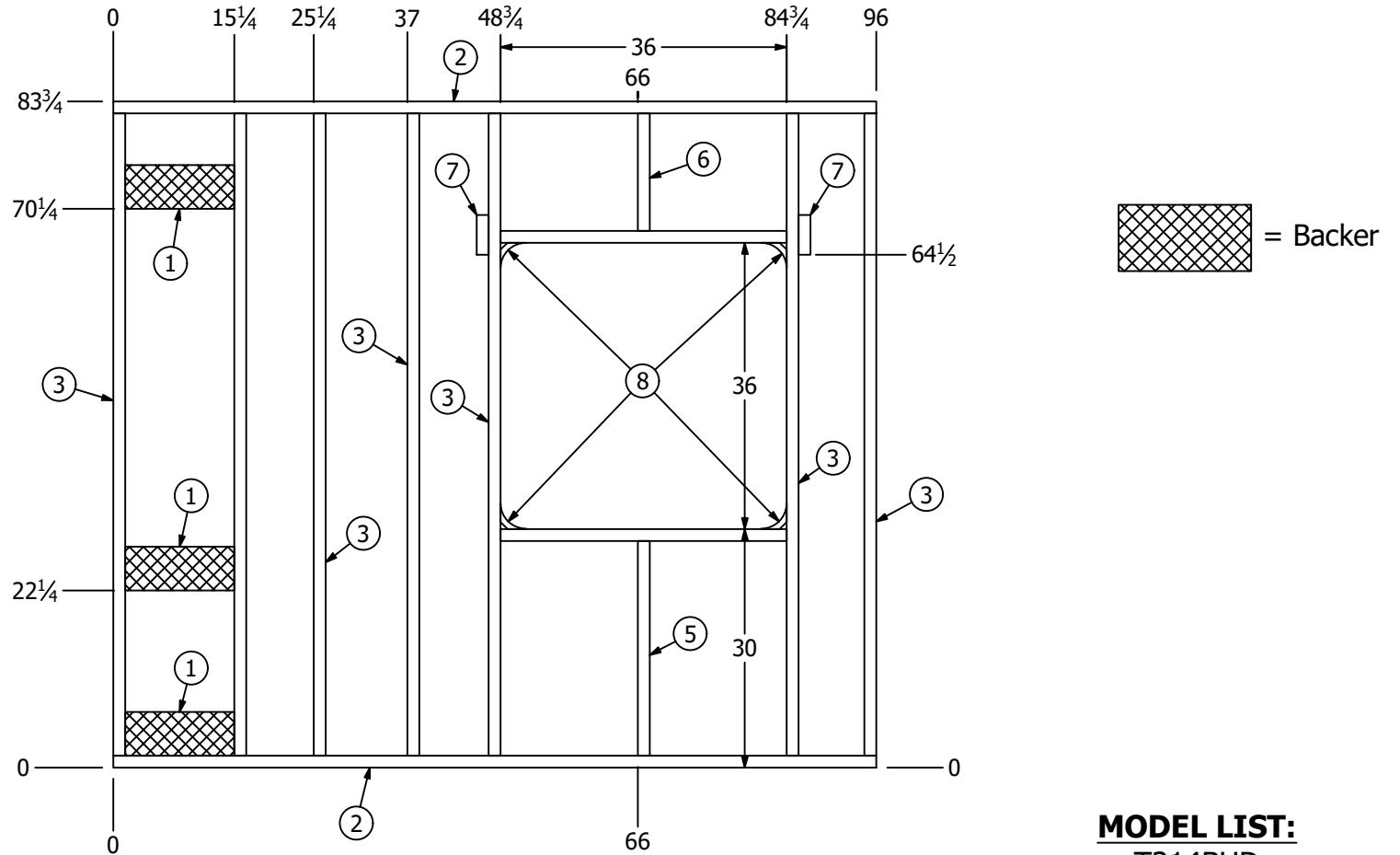
**HERITAGE GLEN/
HEMISPHERE**
PLANT # 44

REVISION HISTORY			
REV	ECO #	DESCRIPTION	DATE
A		Initial Release.	6/7/2018
B		Converted To Inventor.	6/15/2018
		CHANGED PART NUMBER	2/14/2019

314BUD PROTO 1

DATE: 6/7/2018	SHEET #: 1 OF 1	SHEET SIZE: A
BY: RG	APPROVED BY:	ANGULAR TOLERANCE: +/- 1/16
DESCRIPTION: Rear Wall	VENDOR PART#:	DRAWING #: 09-000046

PARTS LIST			PARTS LIST			PARTS LIST			PARTS LIST		
ITEM	QTY	DESCRIPTION	ITEM	QTY	DESCRIPTION	ITEM	QTY	DESCRIPTION	ITEM	QTY	DESCRIPTION
1	3	2 x 6 x 13 3/4" - WOOD SPF	2	2	2 x 2 x 96" - WOOD SPF	5	1	2 x 2 x 27" - WOOD SPF	8	4	1 1/2 x 3.2" Radius Block
			3	7	2 x 2 x 80 3/4" - WOOD SPF	6	1	2 x 2 x 14 3/4" - WOOD SPF			
			4	2	2" x 2" x 36" - WOOD SPF	7	2	2 x 2 x 5" - WOOD SPF			



MODEL LIST:
T314BUD



**HERITAGE GLEN/
HEMISPHERE
PLANT #44**

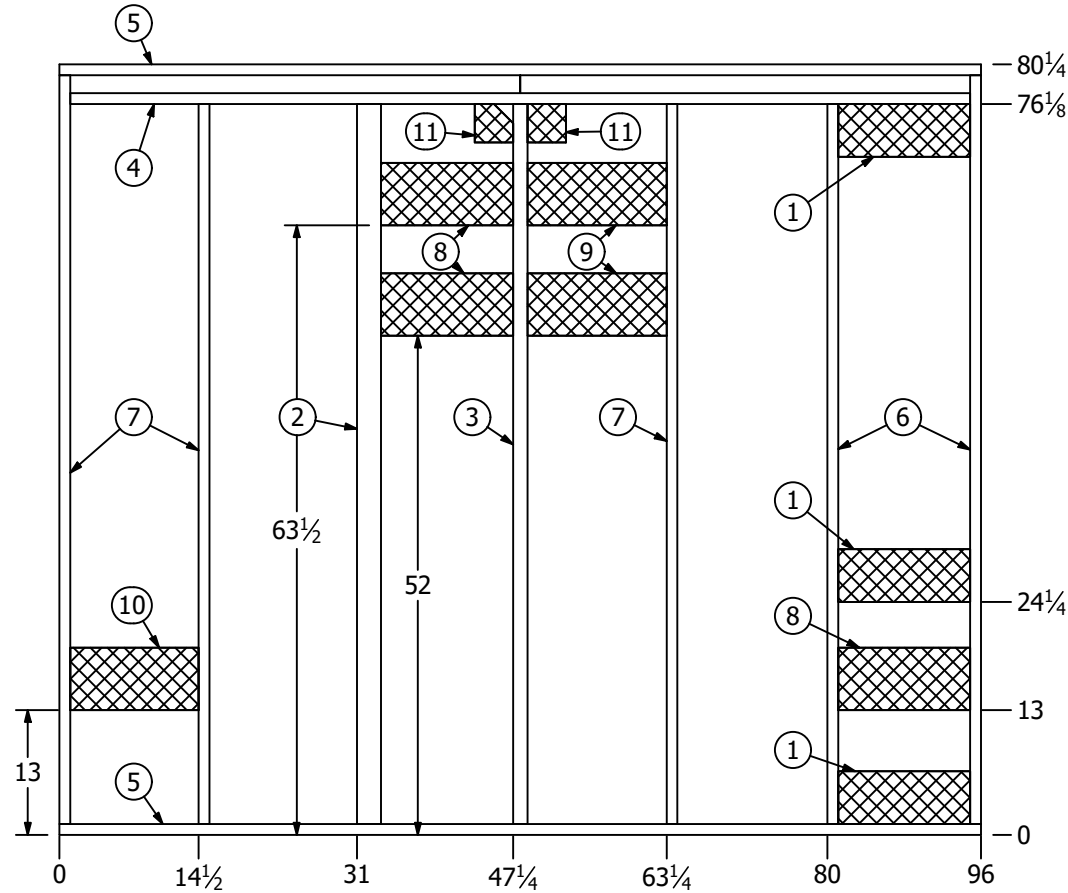
FOREST RIVER INDUSTRIES, INC. CLAIMS PROPRIETARY RIGHTS IN THE MATERIAL DISCLOSED HEREIN. NEITHER THIS DRAWING NOR ANY REPRODUCTION THEREOF MAY BE USED TO MANUFACTURE ANYTHING SHOWN HEREON WITHOUT PERMISSION IN WRITING FROM FOREST RIVER, INC.

BY: **RG** APPROVED BY: _____ FRACTIONAL TOLERANCE: +/- 1/16
DATE: 6/7/2018 SHEET #: 1 OF 1 SHEET SIZE: A
ANGULAR TOLERANCE: +/- 1'

REVISION HISTORY				
REV	ECO #	DESCRIPTION	DATE	BY
A		Initial Release.	6/7/2018	RG
B		Converted To Inventor.	6/15/2018	RG
C	ECO-19-0317	CHANGED PART NUMBER	2/14/2019	CAS

DESCRIPTION: **Rear Wall**
REV: **C** VENDOR PART#: _____ DRAWING #: **09-000046**

PARTS LIST		
ITEM	QTY	DESCRIPTION
1	3	2" x 6" x 13 3/4" - WOOD SPF
2	1	2" x 3" x 75" - WOOD SPF
3	1	2" x 2" x 75" - WOOD SPF
4	1	1 1/8 x 1 1/2 x 93 3/4" - WOOD SPF
5	2	1 1/8 x 1 1/2 x 96" - WOOD SPF
6	2	1 1/8 x 1 1/2 x 78" - WOOD SPF
7	3	1 1/8 x 1 1/2 x 75" - WOOD SPF
8	3	6 1/2" x 13 3/4" x 1/2" - PLYWOOD
9	2	6 1/2" x 14 1/2" x 1/2" - PLYWOOD
10	1	6 1/2" x 13 3/8" x 1/2" - PLYWOOD
11	2	4" x 4" x 1/2" - PLYWOOD
12	2	48" x 80 1/4" - 2.7 MM - DÉCOR PANEL



MODEL LIST:
T171RBXL



THE INFORMATION CONTAINED IN THIS DOCUMENT IS PROPRIETARY, CONFIDENTIAL, AND INTENDED ONLY FOR FOREST RIVER PERSONNEL. AUTHORIZED FOREST RIVER DEALERS, OR OTHER QUALIFIED REPAIR SHOPS, NEITHER THIS DRAWING NOR ANY REPRODUCTION THEREOF MAY BE USED FOR ANY PURPOSE WITHOUT PERMISSION IN WRITING FROM FOREST RIVER, INC. IF YOU ARE NOT THE INTENDED RECIPIENT, PLEASE RETURN TO FOREST RIVER, INC. OR DESTROY. PLEASE DO NOT PRINT, COPY, REPRODUCE, OR CIRCULATE THIS DOCUMENT IF NOT PERMITTED AND MAY BE CAUSE FOR LEGAL ACTION.

BY: **SAB** APPROVED BY: _____ FRACTIONAL TOLERANCE: +/- 1/16
ANGULAR TOLERANCE: +/- 1'

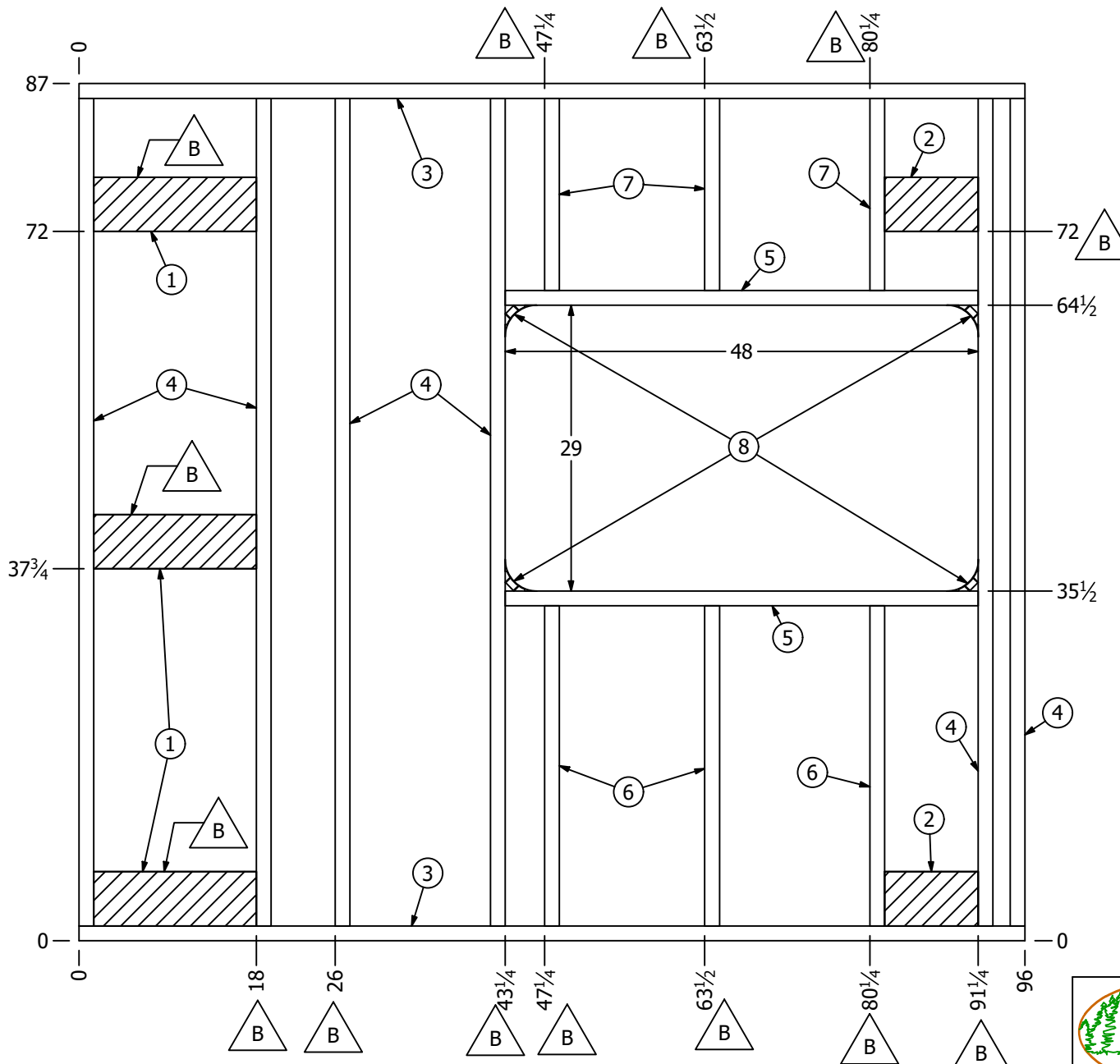
DATE: 12/10/2020 SHEET #: 1 OF 1 SHEET SIZE: A

DESCRIPTION:
REAR WALL ASSEMBLY

REV: **A** VENDOR PART #: _____ DRAWING #: **09-000245**

REVISION HISTORY

REV	ECO #	DESCRIPTION	DATE	BY
A		INITIAL RELEASE	12/10/2020	JDS



PARTS LIST		
ITEM	QTY	DESCRIPTION
1	3	2 x 6 x 16 1/2" - WOOD SPF
2	2	2 x 6 x 9 1/2" - WOOD SPF
3	2	2 x 2 x 96" - WOOD SPF
4	6	2 x 2 x 84" - WOOD SPF
5	2	2 x 2 x 48" - WOOD SPF
6	3	2 x 2 x 32 1/2" - WOOD SPF
7	3	2" x 2" x 19 1/2" - WOOD SPF
8	4	1 1/2 x 3.2" Radius Block

VIEWED FROM INTERIOR



**SALEM/
WILDWOOD**
PLANT #63

THE INFORMATION CONTAINED IN THIS DOCUMENT IS PROPRIETARY, CONFIDENTIAL AND INTENDED ONLY FOR FOREST RIVER PERSONNEL. AUTHORIZED FOREST RIVER DEALERS, OR OTHER QUALIFIED REPAIR SHOPS, NEITHER THIS DRAWING NOR ANY REPRODUCTION THEREOF MAY BE USED FOR ANY PURPOSE WITHOUT PERMISSION IN WRITING FROM FOREST RIVER, INC. IF YOU ARE NOT THE INTENDED RECIPIENT, PLEASE RETURN TO FOREST RIVER, INC. OR DESTROY. PLEASE DO NOT PRINT, COPY, REPRODUCE, OR CIRCULATE. THIS DOCUMENT IS NOT PERMITTED AND MAY BE CAUSE FOR LEGAL ACTION.

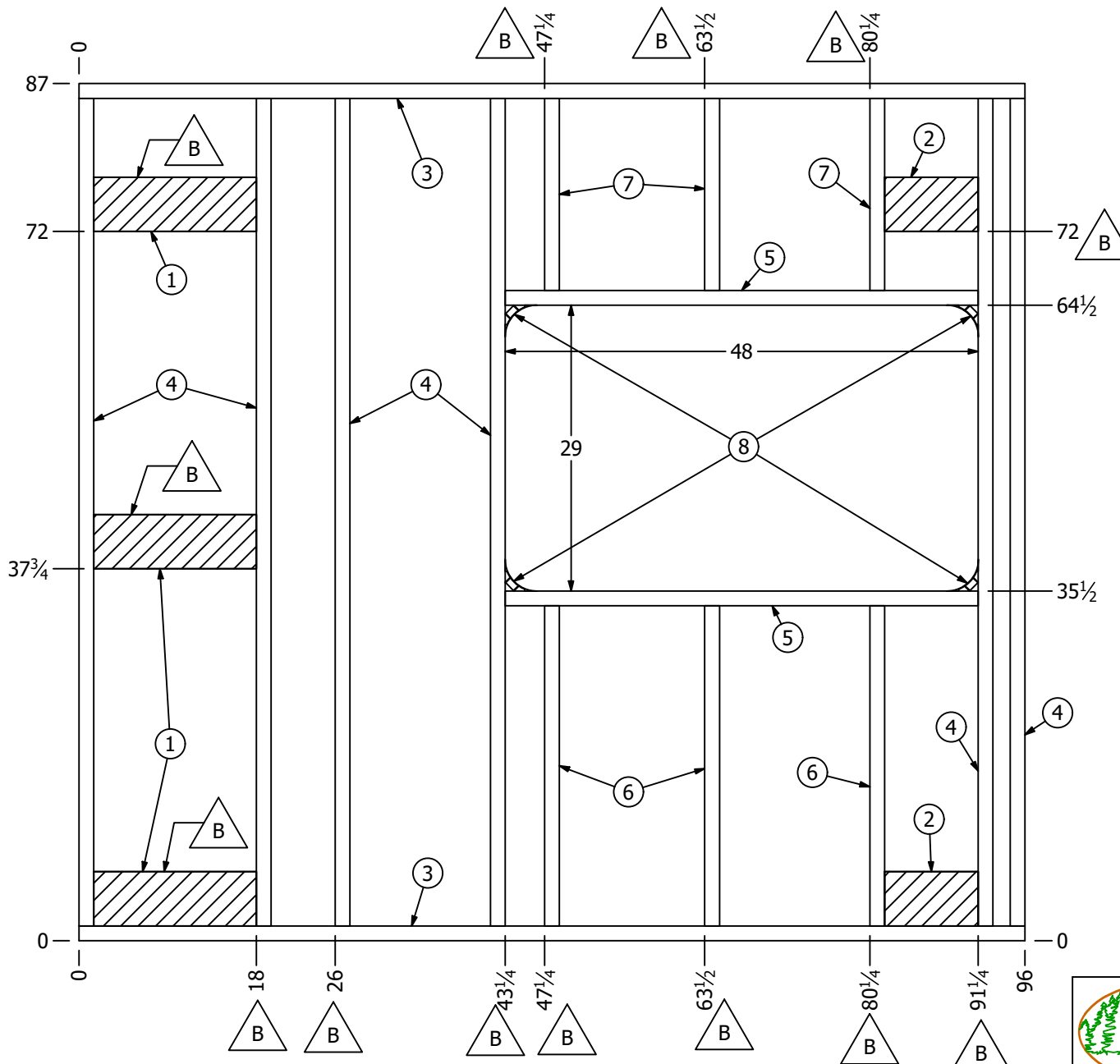
BY: **RG** APPROVED BY: _____ FRACTIONAL TOLERANCE: +/- 1/16"
 DATE: 7/21/2020 SHEET #: 1 OF 1 ANGULAR TOLERANCE: +/- 1°

DESCRIPTION: **REAR WALL**

REV: **B** VENDOR PART#: _____ DRAWING #: **09-000211**

MODEL LIST
~~T33TS~~
~~T36VBDS~~

REVISION HISTORY				
REV	ECO #	DESCRIPTION	DATE	BY
A		INITIAL RELEASE	1/24/2018	JDS
B		UPDATED PER MARKUP AND UPDATED MODEL LIST	11/18/2020	NFV



PARTS LIST		
ITEM	QTY	DESCRIPTION
1	3	2 x 6 x 16 1/2" - WOOD SPF
2	2	2 x 6 x 9 1/2" - WOOD SPF
3	2	2 x 2 x 96" - WOOD SPF
4	6	2 x 2 x 84" - WOOD SPF
5	2	2 x 2 x 48" - WOOD SPF
6	3	2 x 2 x 32 1/2" - WOOD SPF
7	3	2" x 2" x 19 1/2" - WOOD SPF
8	4	1 1/2 x 3.2" Radius Block

VIEWED FROM INTERIOR



**SALEM/
WILDWOOD**
PLANT #63

THE INFORMATION CONTAINED IN THIS DOCUMENT IS PROPRIETARY, CONFIDENTIAL AND INTENDED ONLY FOR FOREST RIVER PERSONNEL. AUTHORIZED FOREST RIVER DEALERS, OR OTHER QUALIFIED REPAIR SHOPS, NEITHER THIS DRAWING NOR ANY REPRODUCTION THEREOF MAY BE USED FOR ANY PURPOSE WITHOUT PERMISSION IN WRITING FROM FOREST RIVER, INC. IF YOU ARE NOT THE INTENDED RECIPIENT, PLEASE RETURN TO FOREST RIVER, INC. OR DESTROY. PLEASE DO NOT PRINT, COPY, REPRODUCE, OR CIRCULATE THIS DOCUMENT IF THIS IS NOT PERMITTED AND MAY BE CAUSE FOR LEGAL ACTION.

BY: **RG** APPROVED BY: _____ FRACTIONAL TOLERANCE: +/- 1/16"
 DATE: 7/21/2020 SHEET #: 1 OF 1 ANGULAR TOLERANCE: +/- 1°

DESCRIPTION: **REAR WALL**

REV: **B** VENDOR PART#: _____ DRAWING #: **09-000211**

MODEL LIST
~~T33TS~~
~~T36VBDS~~

REVISION HISTORY				
REV	ECO #	DESCRIPTION	DATE	BY
A		INITIAL RELEASE	1/24/2018	JDS
B		UPDATED PER MARKUP AND UPDATED MODEL LIST	11/18/2020	NFV