

**** TECHNICAL INFORMATION NOTICE ****

DATE: March 22, 2021
TO: Mitsubishi Motors US Service and Parts Managers
RE: Accessory Parts Exhibiting Poor Adhesion (Front, Side and Rear)
TIN NO. TIN-21-51-002

.....
AFFECTED VEHICLES: 2018 – 2020 Eclipse Cross with Accessory Installed Parts (Front, Side and/or Rear):

Front Extension MZ576874EX

Rear Extension MZ576876EX

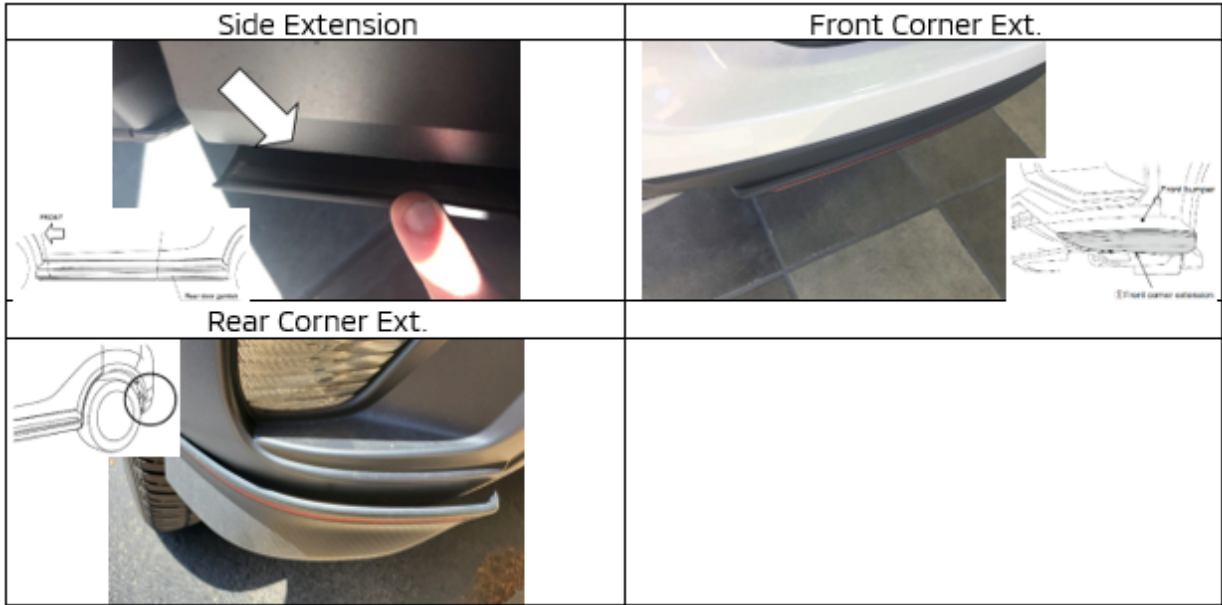
Side Extension MZ576877EX

PURPOSE: To provide instructions for vehicles exhibiting partial or complete separation of *Accessory Install Parts* (Front, Side and/or Rear) from the vehicle

Conditions have been reported advising of poor adhesion of side, front, and rear extension accessories; resulting in separation of parts from the vehicle.

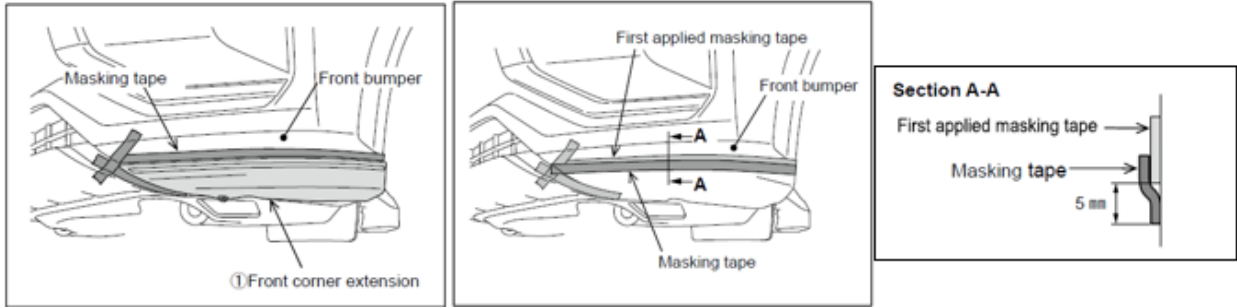
Possible Cause(s):

- Vehicle mounting area was not cleaned properly prior to installation
- Adhesive promoter was not applied onto surface where the adhesive tape is to be bonded or promoter drying time 10 min.~180min was not followed
- The vehicle surface and accessory parts are below 60 °F (not optimum temp for good adhesion)
- The accessory component was not properly positioned as specified on install instructions



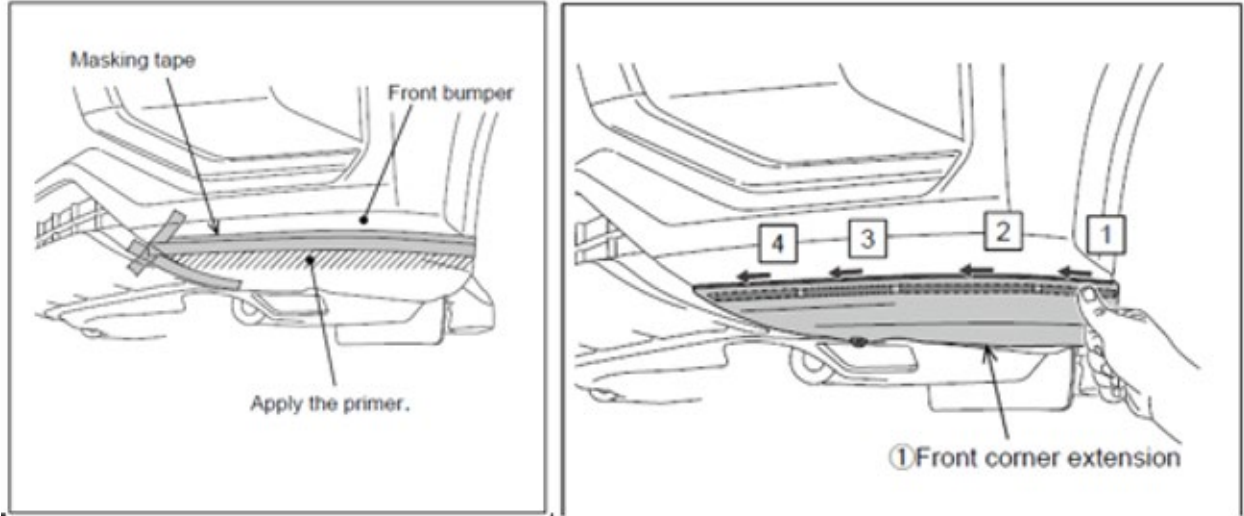
INSTALLATION KEY POINT REMINDERS

Front Corner Ext. MZ576874EX & Rear Corner Ext. MZ576876EX – Installation Alignment Advice (images below are front Ext., but the same alignment process is used for the rear, please refer to install instructions).



Primer Application Section

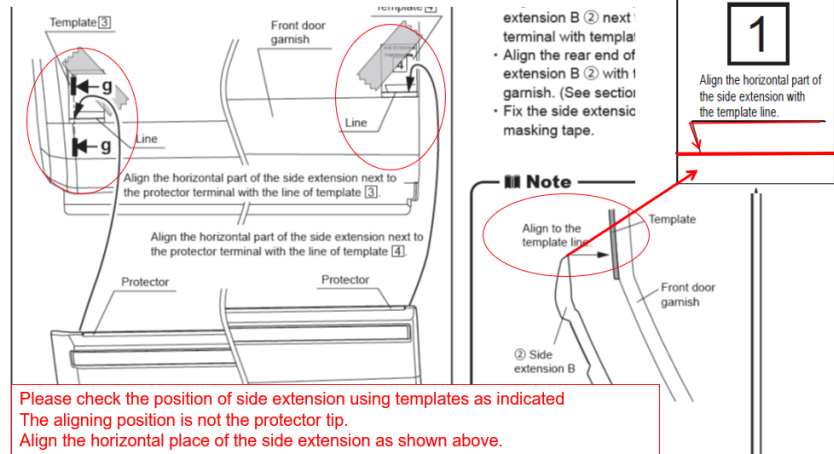
- Temporary install part and mark outline using masking tape
- Remove part and measure 5.0mm below outlined masking tape as shown above
- Apply primer below second masking tape as shown below (see install instructions)
- Peel backing per instructions
- Align accessory part and apply pressure for several seconds by gradually moving from starting point [1] through [4]
- Tighten remaining hardware



Side Extension MZ576877EX - Installation Alignment Advice:

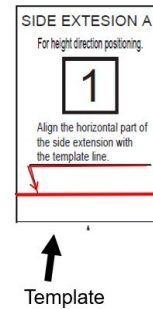
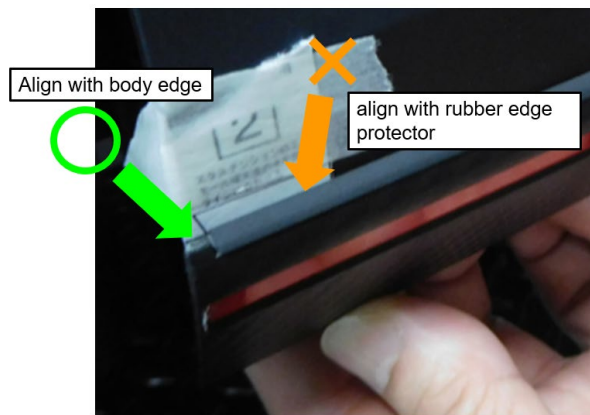
Use the provided templates and properly align the side extension per install instructions.

① The mounting location of the side extension by the Template.
 Ref.: INSTALLATION PROCEDURES, Page 5



Proper alignment of accessory part per install instructions

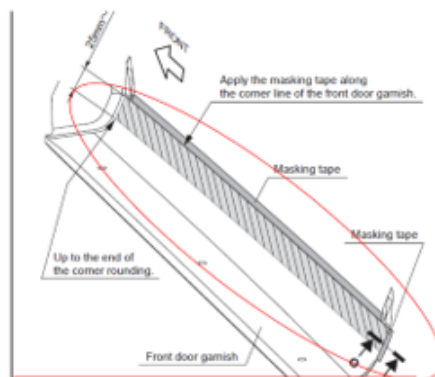
- ① The mounting location of the side extension using template.
Ref: INSTALLATION PROCEDURES, P5



Side Extension MZ576877EX – Installation Alignment Advice and Promoter Application:

Good Adhesion Procedure per install instructions

- ② The primer area.
Ref: INSTALLATION PROCEDURES, P12~13



Please confirm that the primer is applied to the double-side tape area.
Primer application location must match accessory part tape contact point.

- 7) Degrease the part of the double-sided tape applying and its periphery on the garnish using a clean shop towel moistened with isopropyl alcohol or degreaser.
Then apply a primer to the double-sided tape applying area.

Caution

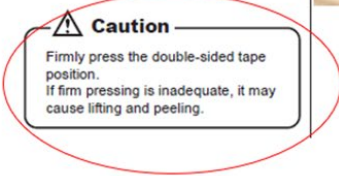
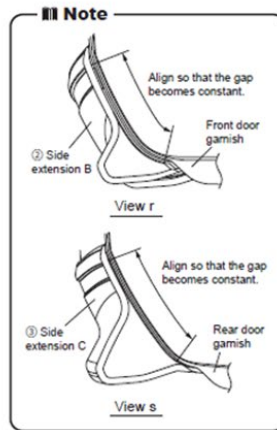
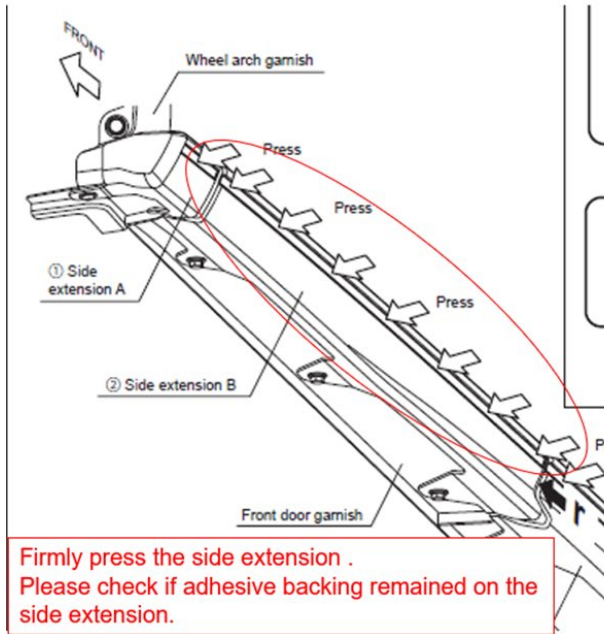
- Never use organic solvent such as thinner, benzene, gasoline, etc.
- Work at a well-ventilated place.
- Keep away from flames.
- Read the handling instructions of primer (K-500) thoroughly in advance.
- Do not apply primer beyond the masking tape.

- 8) Keep the each garnish surface away from dust, dirt and water drops until primer dries completely (recommended drying time: 10 minutes).

Primer Application per install instructions

- Helps ensure secure attachment of double-sided tape
- The bonding surface should be clean and dry
- The vehicle surface and accessory parts temperature must be above 60 °F (optimum temperature for good adhesion).
- Apply a thin, uniform coating to the bonding surface
- Drying time: 10 minutes ~ 180 minutes
- If drying time is more than 24 hours, re-apply the adhesion promoter.

③ Press the position of the double-sided tape
Ref: INSTALLATION PROCEDURES, P17~18


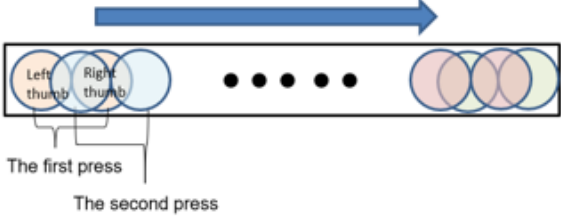


Side Extension MZ576877EX – Installation Proper Tape Adhesion Application:

Side Extension MZ576877EX – Installation Alignment Advice

How to press the double-sided tape

- Press strongly by thumb of both hands
(Be careful not to deform the base units)
- Press all adhesive tape places for several seconds and gradually moving from one side to the end point.



- Since the double-sided tape is pressure sensitive, this process is important for the adhesive performance.
- Be sure to follow the checking points of after installation (instruction page.19)

Final key reminders

- Clean vehicle application area properly prior to installation
- Apply adhesive promoter onto surface where the adhesive tape is to be bonded and allow promoter to dry 10 min.-180min before installing accessory part.
- The vehicle surface and accessory parts temperature must be above 60 °F (optimum temperature for good adhesion). Use a heat gun to carefully warm accessory parts and vehicle surfaces.
- Confirm accessory part is properly aligned as specified on install instructions.

FINAL QC CHECK ITEMS:

- Check vehicle fitment
- Check for good adhesion
- Check for vehicle damage
- If any discrepancy is noted, please make necessary repairs.