

DAIMLER

DT12 Transmission Harness Chafe Proposed Quick Immediate Containment

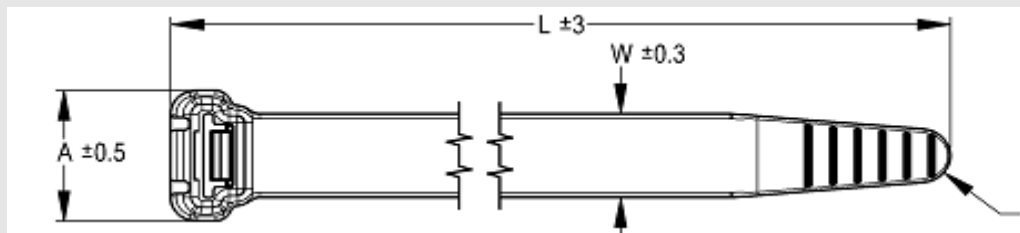
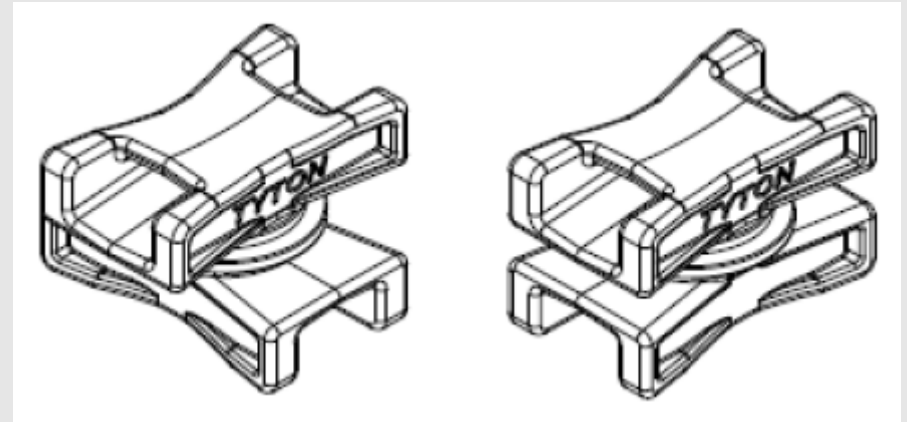
Daimler Trucks



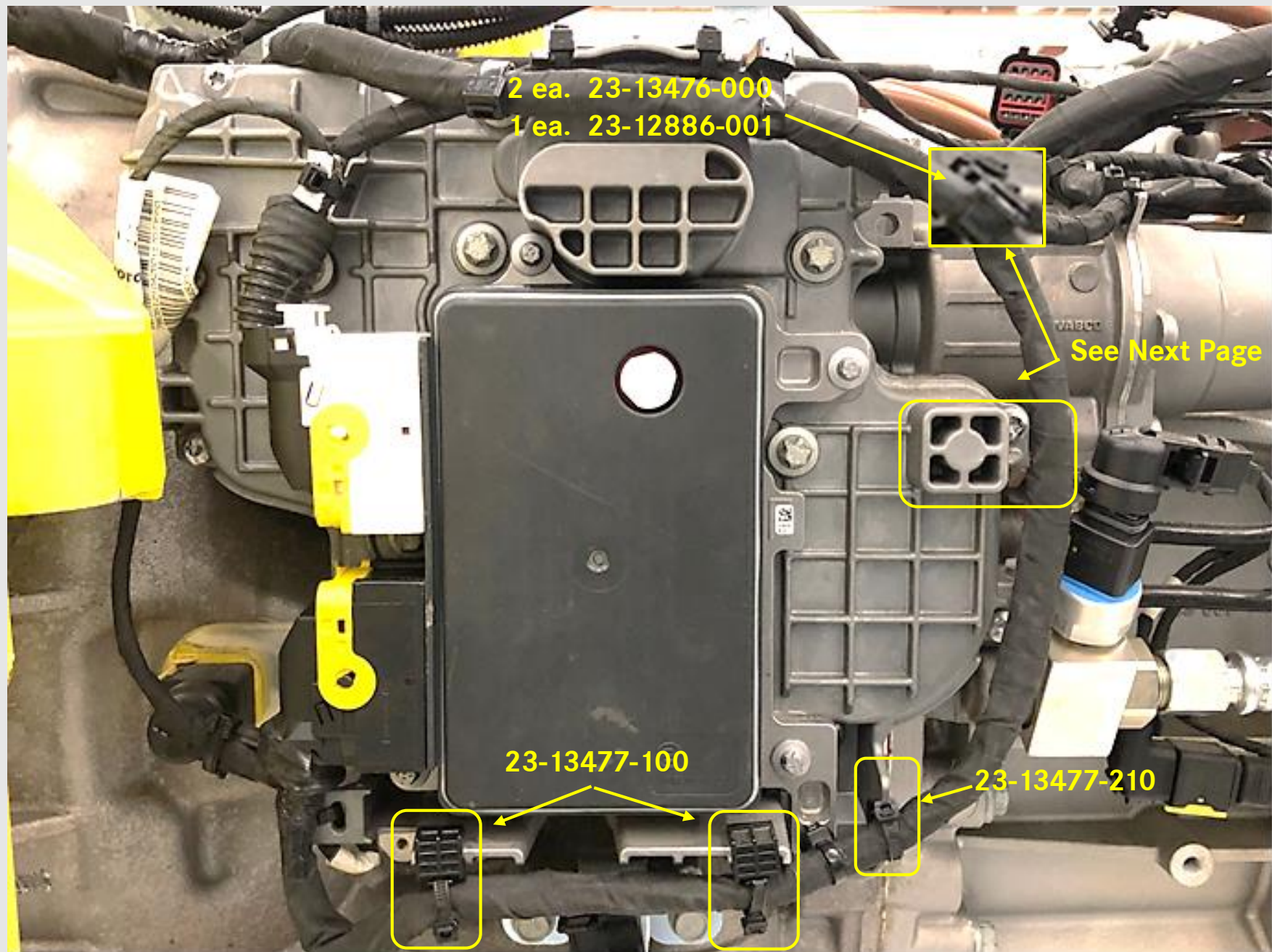
Material used in proposed quick containment

- 1 each 23-13477-210 tie strap with top centered push on clip
- 2 each 23-13477-100 tie strap with offset push on clip
- 1 each 23-12886-001 double strap swivel
- 2 each 23-13476-000 1/2" wide tie straps

Part
Numbers



Proposed
Harness Chafe
Containment



Proposed
Harness Chafe
Containment



The 23-12886-001 is used to space the harness away from the transmission square casing in the TCU. This is where you also need two 23-13476-000 tie straps.

