



Thor Motor Coach Technical Service Bulletin

TSB #	TSB 20-08		
Description/Title:	Overhead Cabinets		
Affected Product Line(s):	<i>Certain model year</i> 2014, 2016-2017 Tuscany XTE 2016-2017 Tuscany 2016 Venetian 2016-2020 ACE, Miramar, Outlaw, Palazzo, 2016-2018 Hurricane, Windsport		
Service Campaign # :	RC000209	Released Date:	1/13/2021
Codes:	Inspect Only: TMCTS80263Y Inspect with Repair: TMCTS80263W	Document Date:	1/13/2021
Time Allowed:	Inspect Only: 0.2 Inspect with Repair: 0.3	Document Revision:	A

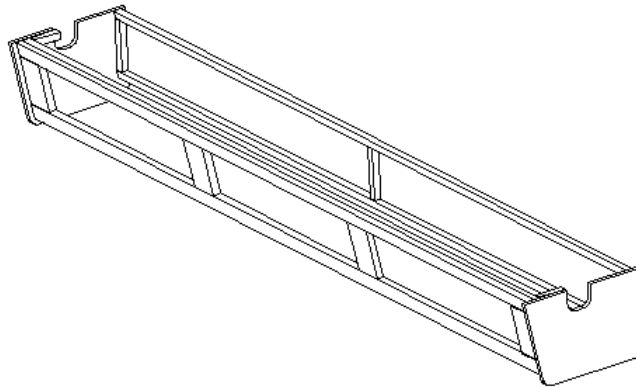
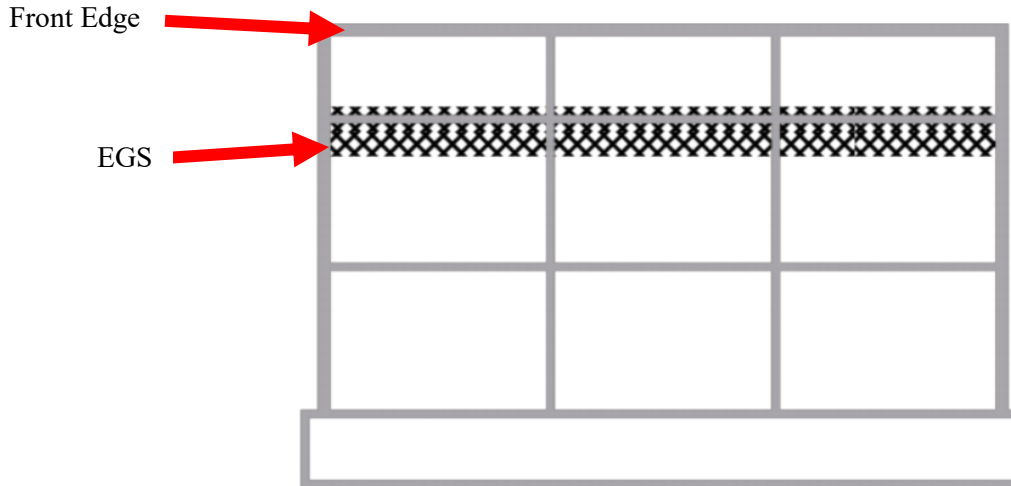
Issue:

The overhead cabinets located above the driver and front passenger seats may become loose during travel. This Technical Service Bulletin will be gathering information regarding this possible concern and will provide guidance on how to ensure the overhead cabinets are properly secured in the motorhome.



Instructions:

1. Verify that the rear of the cabinet is mounted all the way to the front edge of the bed deck. The rear stile of the cabinet will be screwed into the aluminum tube of the bed deck. (The aluminum tube is not visible on finished product.) This will line up the front edge of the cabinet to be screwed into the area of the EGS backer (EGS is not visible on finished product).



2. The screws into the front and rear stiles should be spaced at minimum every **six (6)** inches. If they are not, add additional screws as needed.
3. If further repairs are needed, please contact TMC directly at (877) 500-1020 for additional assistance.