

**WMB4 - Replacing High-Voltage Charger (OBC) (Stop Delivery)**

Model Line: **Taycan (Y1A)**

Model Year: **2021**

Equipment: 19.2 kW on-board AC charger (I-no. KB4)

Concerns: **High-voltage charger (OBC)**

Information: **There is a possibility that the high-voltage charger (OBC) does not meet the specifications on the affected vehicles.**

This can cause the AC charging function to fail.



**Information**

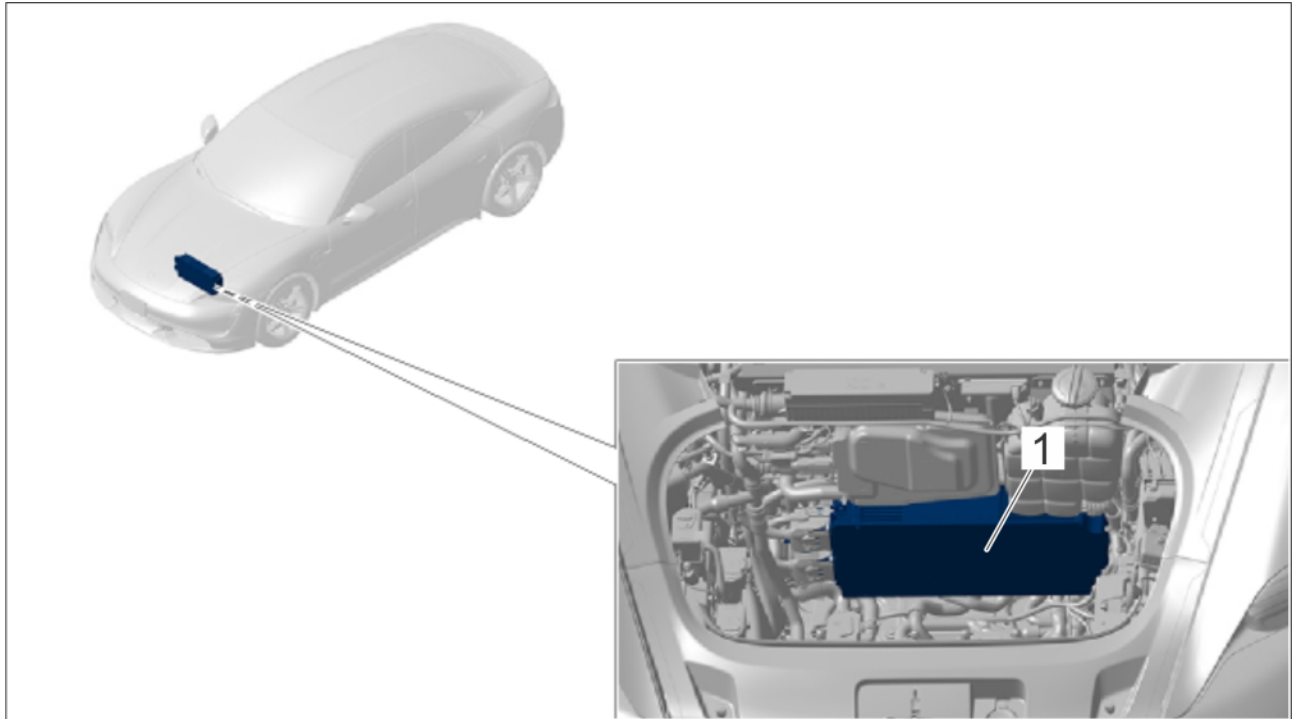
Before carrying out this campaign, check whether other campaigns must be carried out on the relevant vehicles. On vehicles affected by campaign **WMA6 - Updating software for various control units (VR12.1.1)** in addition to this campaign, **always** make sure that campaign **WMA6** is also **carried out** after carrying out this campaign.

Action required: Replace high-voltage charger (OBC).

Affected Vehicles: Only vehicles assigned to the campaign (see also PCSS Vehicle Information).

## Installation

Position:



*Installation position of high-voltage charger (OBC)*

**1** – High-voltage charger (OBC), 19.2 kW (**replace**)

### Required parts and materials

Parts Info:

Part No.	Designation – Use	Qty.
<b>North American vehicles</b>		
9J1915681AK	⇒ High-voltage battery charger (OBC), 19.2 kW – Charging socket Combi 1 (North America region)	1 ea.
<b>or</b> (depending on the EU country variant)		
9J1915681AH	⇒ High-voltage battery charger (OBC), 19.2kW – Charging socket Combi 2 (EU)	1 ea.
<b>Additional parts required:</b>		
PAF106825	⇒ Cheese head bolt, M8 x 50 – Strut to body	4 ea.

Materials: (Only if required)

Part No.	Designation	Qty.
00004330516	⇒ Coolant additive, 20 liter/ 5.28 gal container – Cooling system	As much as required (approx. 1 liter/ 33.8 fl oz. required per vehicle)

## Required tools



### Information

The Taycan (Y1A) is equipped as standard with a **lithium starter battery**.

**Lithium starter batteries** must only be charged using a **suitable battery charger** that has a current and voltage-controlled charge map.

For further information about the battery chargers to be used, see ⇒ *Workshop Manual '270689 Charging battery/vehicle electrical system'*.

Tools:

- **VAS 6883 Insulated tool set**
- **VAS 6558A High-voltage testing module**
- **VAS 6558/9-6 High-voltage test adapter HVA 280**
- **VAS 6410 Contact Surface Cleaning Set**
- **T40262 - Locking cap**
- **9696 - Filling device**
- **3093 - Hose clamp**
- **VAS 6675A Funnel**
- **VAS 6968 Coolant filling device**
- **VAS 6096/2 Vacuum pump**
- **VAG 1274B Cooling system tester**
- **VAS 6890 Spring band clamp pliers**
- **VAS 6935 Pole terminal puller**
- Torque wrench, 2 - 10 Nm (1.5 - 7.5 ftlb.), e.g. **VAG 1783 Torque wrench, 2-10 Nm (1.5-7.5 ftlb.)**
- Torque wrench, 6 - 50 Nm (4.5 - 37 ftlb.), e.g. **VAG 1331A Torque wrench, 6-50 Nm (4.5-37 ftlb.)**
- Torque wrench, 20 - 100 Nm (15 - 74 ftlb.), e.g. **VAS 5820 Torque wrench, 20-100 Nm (15-74 ftlb.)**
- Electronic torque angle torque wrench, e.g. **9768 - Electronic torque wrench, 2 - 100 Nm (1.5 - 74 ftlb.)**
- Battery charger with a current rating of **at least 90 A** and a **current and voltage-controlled charge map** for lithium starter batteries, e.g. **VAS 5908 Battery charger 90 A**
- **9900 - PIWIS Tester 3**

## Replacing high-voltage charger (OBC)



### Incorrect handling of high-voltage components

- Electric shock
  - Risk of short circuit
  - Fire
  - Risk of explosion
- ⇒ Only appropriately trained and authorized persons are permitted to work on high-voltage vehicles and components.
- ⇒ Required qualification: High voltage technician or high voltage expert.
- ⇒ Observe national requirements and legislation for this work.
- ⇒ Always use insulated tools, e.g. Insulated tool set, when working on these components.
- ⇒ Observe general warning notes for working on the high-voltage system. ⇒ *Workshop Manual '2X00IN General warning notes for working on the high-voltage system'*



### Information

#### Only relevant for vehicles with the Connect app "Plug & Charge"

Before removing the high-voltage charger (OBC), read out the customer settings for the Connect app "Plug & Charge" in the display and operator control unit and document them. After installing and teaching the new high-voltage charger (OBC), restore the customer-specific settings for the Connect app "Plug & Charge".

Work Procedure: 1 Observe general warning notes for working on the high-voltage vehicle electrical system ⇒ *Workshop Manual '2X00IN General warning notes for working on the high-voltage system'*.

2 Isolate the high-voltage system from the power supply ⇒ *Workshop Manual '2X00IN Isolating high-voltage system from power supply/Starting high-voltage system'*.



### Information

#### Handling high-voltage lines:

- Do not support yourself or your tools on high-voltage lines and their components.
- Work involving metal-removing, deforming and sharp-edged tools close to high-voltage components and lines is prohibited.
- Work involving heat sources such as welding, soldering, hot air and thermal bonding close to high-voltage components and lines is prohibited.

- High-voltage lines must not be extensively bent or kinked.
  - A visual inspection of the high-voltage connectors must be performed before installing the high-voltage lines. If there are signs of damage to the connectors, contacts and seals, the high-voltage line must be replaced.
  - If you have questions or if you are unclear about anything, consult the relevant high voltage technician.
- 3 Replace high-voltage charger (OBC).  
For instructions, see ⇒ *Workshop Manual '279719 Removing and installing 19.2 kW high-voltage charger'*.

Part No.	Designation	Qty.
<b>North America region</b>		
9J1915681AK	High-voltage battery charger (OBC), 19.2 kW – Charging socket Combi 1 (North America region, I-no. ES6)	1 ea.
<b>or (depending on EU country variant)</b>		
9J1915681AH	High-voltage battery charger (OBC), 19.2 kW – Charging socket Combi 2 (EU, I-no. ES7)	1 ea.



**Information**

On vehicles affected by campaign **WMA6 - Updating software for various control units (VR12.1.1)** in addition to this campaign, the teaching process for the high-voltage charger (OBC) does not have to be performed following installation. Instead, **always** make sure that campaign **WMA6 is carried out** as this campaign also involves teaching or re-programming and coding the high-voltage charger (OBC).

- 4 Start the high-voltage system ⇒ *Workshop Manual '2X00IN Isolating high-voltage system from power supply/Starting high-voltage system'*.
- 5 Enter the campaign in the Warranty and Maintenance booklet.

**Warranty processing**



**Information**

The specified working time was determined specifically for carrying out this campaign and includes all necessary preliminary and subsequent work.  
The working time may differ from the working times published in the Labor Operation List in the PCSS.

Scope 1: **Vehicles with charging socket Combi 1 (North America region) (I-no. ES6)****Working time:**

Replacing high-voltage charger (OBC)

Labor time: **640 TU**

## Includes:

- Removing and installing front left wheel
- Removing and installing front left wheel housing liner
- Connecting and disconnecting battery charger
- Connecting and disconnect PIWIS Tester
- Isolating high-voltage system from power supply and starting high-voltage system
- Re-teaching high-voltage charger (OBC)
- Draining and filling coolant
- Bleeding the cooling system

**Parts required:**

9J1915681AK	High-voltage charger (OBC), 19.2 kW	1 ea.
PAF106825	Cheese head bolt	4 ea.

**Required materials (only if required):**

00004330516	Coolant additive (20 liter/ 5.28 gal container)	0.05
-------------	-------------------------------------------------	------

⇒ **Damage Code WMB4 066 000 2**Scope 2: **Vehicles with charging socket Combi 2 (EU) (I-no. ES7)****Working time:**

Replacing high-voltage charger (OBC)

Labor time: **640 TU**

## Includes:

- Removing and installing front left wheel
- Removing and installing front left wheel housing liner
- Connecting and disconnecting battery charger
- Connecting and disconnect PIWIS Tester
- Isolating high-voltage system from power supply and starting high-voltage system
- Re-teaching high-voltage charger (OBC)
- Draining and filling coolant
- Bleeding the cooling system

**Parts required:**

9J1915681AH	High-voltage charger (OBC), 19.2 kW	1 ea.
PAF106825	Cheese head bolt	4 ea.

**Required materials (only if required):**

00004330516          Coolant additive (20 liter/ 5.28 gal container)          0.05

⇒ **Damage Code WMB4 066 000 2**

**Important Notice:** Technical Bulletins issued by Porsche Cars North America, Inc. are intended only for use by professional automotive technicians who have attended Porsche service training courses. They are written to inform those technicians of conditions that may occur on some Porsche vehicles, or to provide information that could assist in the proper servicing of a vehicle. Porsche special tools may be necessary in order to perform certain operations identified in these bulletins. Use of tools and procedures other than those Porsche recommends in these bulletins may be detrimental to the safe operation of your vehicle, and may endanger the people working on it. Properly trained Porsche technicians have the equipment, tools, safety instructions, and know-how to do the job properly and safely. Part numbers listed in these bulletins are for reference only. The work procedures updated electronically in the Porsche PIWIS diagnostic and testing device take precedence and, in the event of a discrepancy, the work procedures in the PIWIS Tester are the ones that must be followed.

© 2021 Porsche Cars North America, Inc.