

FLA COE
 FLB COE
 FLD Conventional
 Business Class
 FLC 112 Conventional

Century Class Conventional
 Argosy
 Cargo
 Columbia

> 122SD and Coronado
 > Business Class M2
 > Cascadia
 > 108SD/114SD

**Freightliner
 Service Bulletin**

Description of Revisions: *This bulletin replaces the version dated 04/18/2017. Updated availability of magnetic fill neck option for other diesel exhaust fluid (DEF) tank part numbers.*

General Information

In June 2016, a design change removed the magnets from the fill necks for some 6-gallon diesel exhaust fluid (DEF) tanks. If the vehicle is equipped with a non-magnetic fill neck 04-32529-000, it can be updated to a magnetic neck 04-32529-001. The magnetic fill neck option is available for the DEF tank part numbers A04-30816-006 and 007. See [Fig. 1](#).

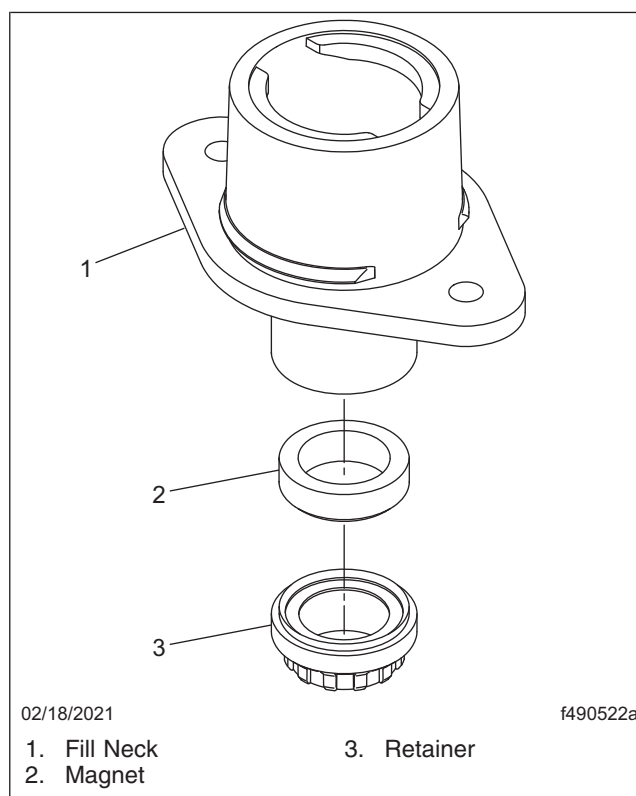


Fig. 1, Magnetized Fill Neck

Parts Table

Magnetized Fill Neck		
Description	Part Number	Quantity
Magnetized Fill Neck	04-32529-001	1

Table 1, Magnetized Fill Neck

Freightliner Service Bulletin

FLA COE
FLB COE
FLD Conventional
Business Class
FLC 112 Conventional

Century Class Conventional
Argosy
Cargo
Columbia

> 122SD and Coronado
> Business Class M2
> Cascadia
> 108SD/114SD

Fill Neck Replacement

1. Park the vehicle on a level surface, shut down the engine, and set the parking brake. Chock the tires.
2. Remove the screws and washers. See [Fig. 2](#).

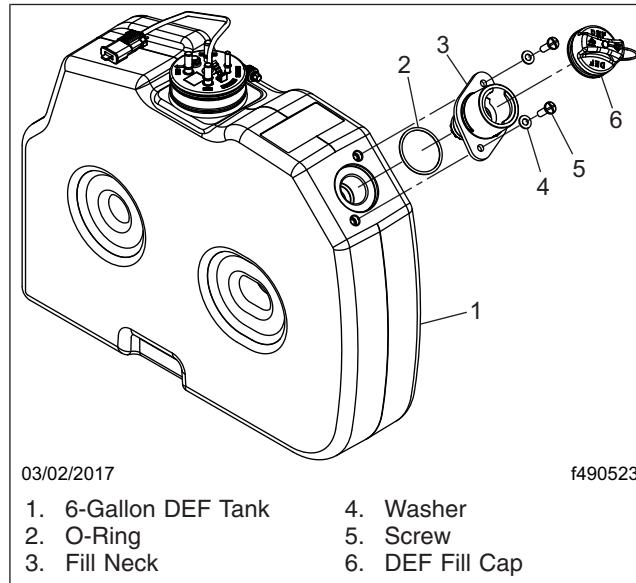


Fig. 2, Fill Neck Installation

3. Lift off the old fill neck, and discard.
4. Install the O-ring on the new fill neck.
5. Position the new fill neck on the DEF tank.

NOTICE

The tank has captured nuts incorporated for attaching the fill neck. Over tightening the fasteners may damage the tank and require replacing it.

6. Install the screws and washers. Tighten the screws 48 lbf·in (540 N·cm).

Warranty

This bulletin is informational only. Warranty does not apply.