	GROUP ELE	MODEL 2015-2017MY Sedona (YP) w/PSD
	NUMBER 233	DATE March 2020
TECHNICAL SERVICE BULLETIN		
SUBJECT: POWER SLIDING DOOR (PSD) OPERATION INSPECTION AND REPAIR		

This bulletin provides information regarding the replacement of certain Power Sliding Door (PSD) system parts associated with the 'Warranty Extension Program' (WTY019) on some 2015-2017MY Sedona (YP) vehicles produced from July 21, 2014 through April 4, 2017. The power sliding door may not completely latch upon closing in auto-mode. If this occurs, the open-door indicators such as activation of the chimes and illumination of the dashboard telltales and/or dome lights will occur. Inspect and diagnose the power sliding door function to identify the part requiring replacement.

Note: The PSD features a '2-stage latching mechanism'. In stage one (1), the door may appear to be fully closed (1st latching), however, only in stage two (2), the PSD will actually be fully closed/secured (2nd latching).



Printed TSB copy is for reference only; information may be updated at any time.
Always refer to KGIS for the latest information.

Circulate To: General Manager Service Manager Parts Manager
 Service Advisors Technicians Body Shop Manager Fleet Repair

Inspection and Replacement Procedure:**❗ IMPORTANT**

The power sliding door features a 2-stage latching mechanism. In stage one (1), the door may appear to be fully closed/secured (latch 1), however, only in stage two (2), the power sliding door will actually be fully closed/secured (latch 2).

- 1a. The PSD (Left or Right Side) will not closed fully and/or is secured on the 2nd stage latching after closing in auto-mode.

- 1b. **Repeat closing of the PSD in auto-mode after four warning alerts.**

Replace the Power Sliding Door (PSD) Drive Unit/Motor (A) by referring to the “Body Electrical System → Power Sliding Door System → Power Sliding Door Drive Unit → Repair procedures” chapter in the applicable Shop Manual on KGIS.

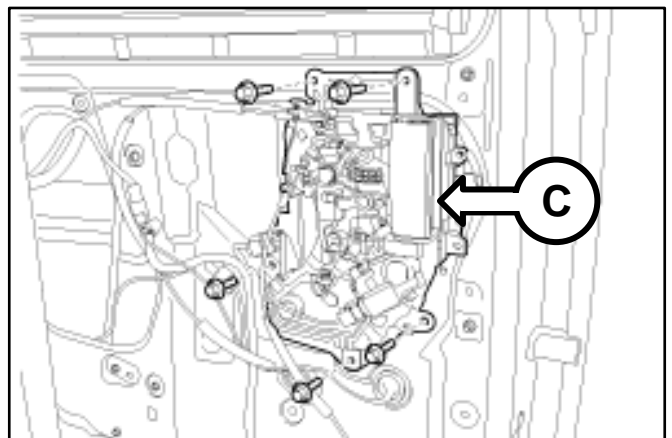
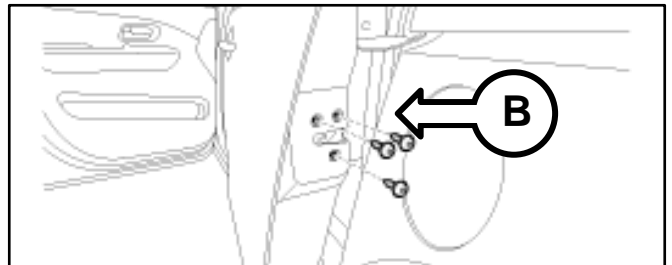
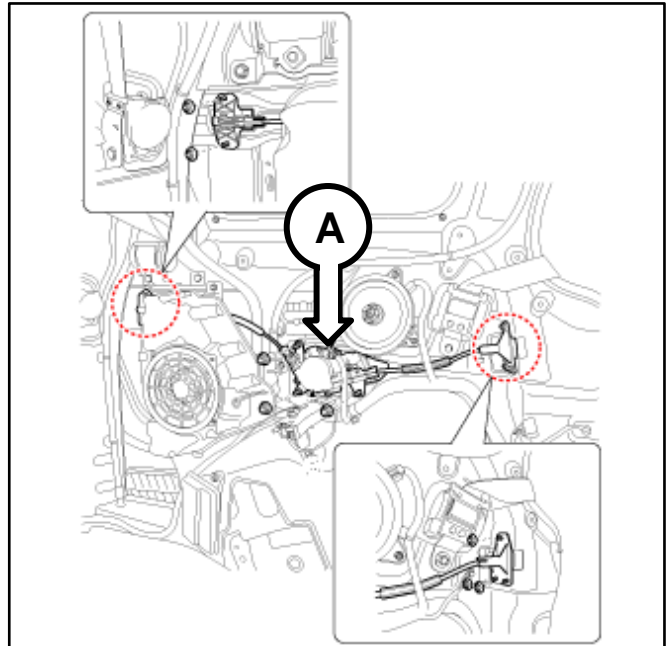
- 2a. **If after replacement of the PSD drive unit/motor the power sliding door does NOT close normally,** proceed to diagnose by referring to the shop manual on KGIS.

- 2b. Replace the Rear Door Latch assembly (B) or PSD Remote Controller (C) as needed.

Note: Check if the PSD latch is fixed (Hold Open Lock) at the back when the door fully opens.

3. Replace the rear door latch assembly (B) by referring to the “Body (Interior Exterior) → Exterior → Rear Door → Rear Door Latch → Repair procedures” chapter in the applicable Shop Manual on KGIS.

Replace the PSD remote controller (C) by referring to the “Body Electrical System → Power Sliding Door System → Rear Door Remote Controller → Repair procedures” chapter in the applicable Shop Manual on KGIS.









SUBJECT:

POWER SLIDING DOOR (PSD) OPERATION INSPECTION AND REPAIR

AFFECTED VEHICLE RANGE:

Model	Production Date Range
Sedona (YP)	July 21, 2014 to April 4, 2017

REQUIRED PART:

Part Name	Part Number	Figure	Qty.	Comment
PSD Drive Unit	83810 A9000FFF		1	LH
	83820 A9000FFF			RH
PSD Rear Door Remote Controller	81440 A9511FFF		1	LH
	81450 A9511FFF			RH
PSD Latch	81410 A9010FFF		1	LH
	81420 A9010FFF			RH

WARRANTY INFORMATION:

N Code: I22 C Code: ZZ3

Claim Type	Causal P/N	Qty.	Repair Description	Labor Op Code	Op Time	Replacement P/N	Qty.
W	83810 A9000	0	PSD Inspection	83801F03	0.3 M/H	N/A	0
			PSD Drive Unit Replacement (One Side)	83801F02	1.2 M/H	83810 A9000FFF or 83820 A9000FFF	1
			PSD Drive Unit Replacement (Both Sides)	83801F01	1.8 M/H	83810 A9000FFF 83820 A9000FFF	1
			PSD Remote Controller Replacement (One Side)	81440F01	0.5 M/H	81440 A9511FFF or 81450 A9511FFF	1
			PSD Remote Controller Replacement (Both Sides)	81440F02	0.8 M/H	81440 A9511FFF 81450 A9511FFF	1
			PSD Latch Assembly Replacement (One Side)	81410F04	0.6 M/H	81410 A9010FFF or 81420 A9010FFF	1
			PSD Latch Assembly Replacement (Both Sides)	81410F05	1.0 M/H	81410 A9010FFF 81420 A9010FFF	1

