

STAR Case

Case Number: S1621000003 Rev A

Release Date: 2/08/2021

Symptom/Vehicle Issue: Transmission And Transmission Bracket Service

Discussion: If the transmission bracket to transmission case fasteners (item 1 below) are removed, **NEW fasteners** are to be used. Do not reuse the existing fasteners. Follow tightening sequence and torque specifications shown in Service Library service information. See the figures below. Fig 1 shows bracket installation. Fig 2 shows bolt locations where **NEW fasteners** are required if original bolts are removed.

Fig. 1 Bracket location

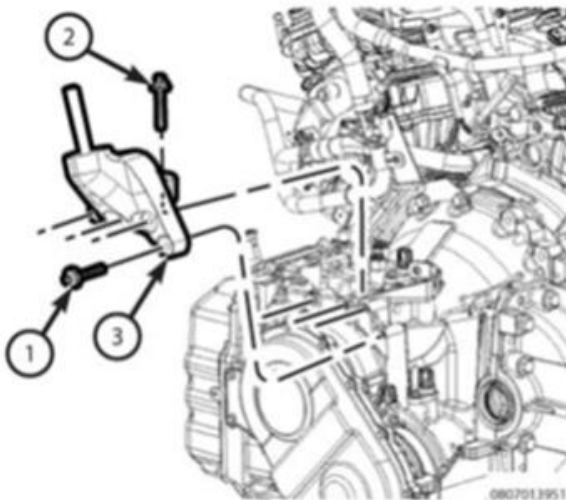
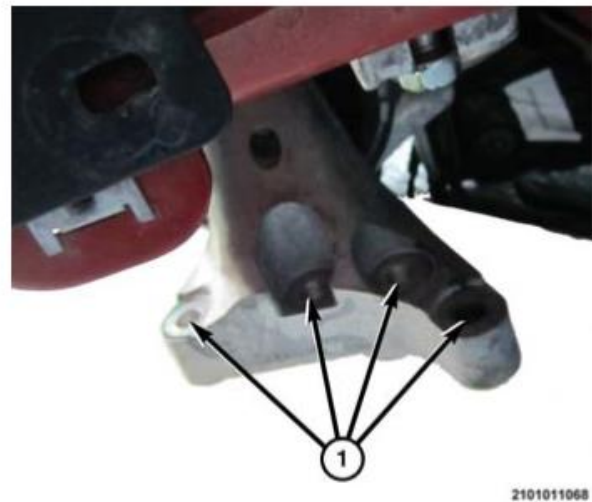


Fig. 2 bolt locations



This document does not authorize warranty repairs. This communication documents a record of past experiences. STAR Center Online does not provide any conclusions about what is wrong with the vehicle. Rather, it captures all previous cases known that appear to be similar or related to the vehicle symptom / condition. You are the expert, and you are responsible for deciding on the appropriate course of action.

Contact STAR Center, or your Technical Assistance Center Via ECCI or eCONTACT ticket if no solution is found