


VOLVO CAR SERVICE AND PARTS BUSINESS			
<h1>Special Tools Bulletin</h1>			
TITLE: <b>XC40 BEV SPECIAL TOOLS – HV Balancer Adapters</b>			
NO: <b>245</b>	ISSUE DATE: <b>2020-12-08</b>	CAR MARKET: <b>United States and Canada</b>	Page 1 of 2
	STATUS DATE: <b>2021-01-15</b>		

“Right first time in Time”

**Information and overview regarding adapter**

For all special tools in this newsletter valid methods have been developed. To carry out the method in a correct way the special tools are required to be used in terms of quality, safety and time.

Special tool pictures in this newsletter are pictures of prototypes and may not represent what the final, distributed product will look like.

**Overview of content:**

Art No.	Description	Standard
9513178	Charging cable screw	C2E
9513192	Adapter	C2E
9513164	Adapter LG	C2E

**Please reference: Special Tool Bulletin 250 and Technical Journal 35755**

<b>Service Personnel: Read and initial</b>	SERVICE MANAGER	PARTS MANAGER	WORKSHOP FOREMAN	SERVICE TECHNICIANS														



951 3164



**VOLVO**

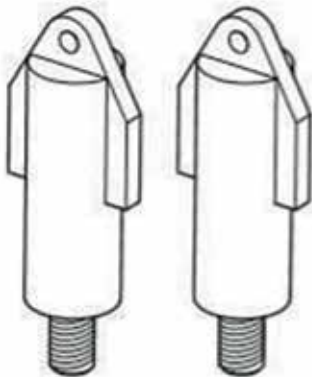
31

## 9513164 Adapter LG

Adapter cable to be able to connect the HV balancer to the LG battery (BEV)

<b>Material</b>	Plastic and Steel
<b>Length</b>	2 m
<b>Weight (g)</b>	460
<b>Standard</b>	C2E
<b>Country of origin</b>	US
<b>Model</b>	XC40 BEV

951 3178



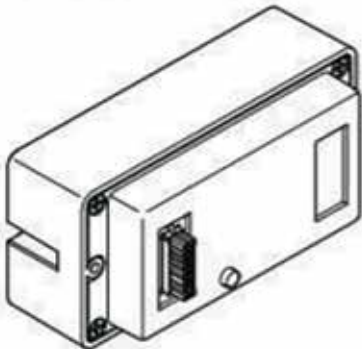
31

## 9513178 Charging cable screw

Screw to be able to fix the charging cables to the battery (BEV)

<b>Material</b>	Plastic and Steel
<b>Weight (g)</b>	30
<b>Standard</b>	C2E
<b>Country of origin</b>	US
<b>Model</b>	XC40 BEV

951 3192



31

## 9513192 Adapter

Communication unit to be able to connect the adapter cables to the HV balancer

<b>Material</b>	Plastic and Steel
<b>Weight (g)</b>	550
<b>Standard</b>	C2E
<b>Country of origin</b>	US
<b>Model</b>	XC40 BEV