



Technical Journal

TITLE:
Creaking noise from Steering Wheel Module

REF NO: TJ 35511.1.0	ISSUING DEPARTMENT: Technical Service	CAR MARKET: United States and Canada	
PARTNER: 3 US 7510 Volvo Car USA		ISSUE DATE: 2021-01-07	STATUS DATE: 2021-01-11
FUNC GROUP: 3644	FUNC DESC: Housing for direction indicator switch	Page 1 of 14	

“Right first time in Time”

Attachment

File Name	File Size
TJI-519196-1_1_0_en-US.pdf	1.8455 MB
TJI-519196-2_1_0_en-US.pdf	1.9510 MB

DESCRIPTION:

If creaking / ticking noise is heard from SWM area when turning the steering wheel, then follow advice under Service.

CSC Customer Symptom Codes

Code	Description
H3	Steering wheel/Squeak/rattle/Steering column/wheel
H4	Steering/Unusual noise/Unsure when/at all times
X8	Steering/Unusual noise/At full turn

Vehicle Type

Type	Eng	Eng Desc	Sales	Body	Gear	Steer	Model Year	Plant	Chassis range	Struc Week Range
224							2019-9999		-	201835-999952
225							2020-9999		-	201817-999952
227							2020-9999		-	201846-999952
234							2017-2017		-	201617-999952
235							2017-9999		-	201624-999952
236							2017-9999		-	201646-999952



Type	Eng	Eng Desc	Sales	Body	Gear	Steer	Model Year	Plant	Chassis range	Struc Week Range
238							2017-9999		-	201646-999952
246							2018-9999		-	201817-999952
256							2016-9999		-	201505-999952
536							2018-9999		-	201746-999952

SERVICE:

Follow instruction for SPA platform according to the attachment TJI-519196-1_1_0_en-US and for CMA platform according to the attachment TJI-519196-2_1_0_en-US.

Warranty claim info:

To get warranty claim accepted for a job described in this TJ, please use following data: VST OP number: 98751-2

VST Operation Number

VST Operation Number	Description
98751-2	Steering wheel module adjust acc

VEHICLE REPORT:

Yes, please submit a Vehicle Report if the service solution described in this TJ has no effect. Use concern area “Vehicle Report” and sub concern area “Support not needed”, use function group 3644.

To view TJ attachment continue to next page. This TJ has two attachments.

Volvo Car Customer Service

TJ Instruction VCC-519196-1

Title	Steering wheel module (SWM)	Page	1 (6)
Action	Product fix	Operation number:	98751-2

Issue	Date	Reason
1	2020-05	First issue

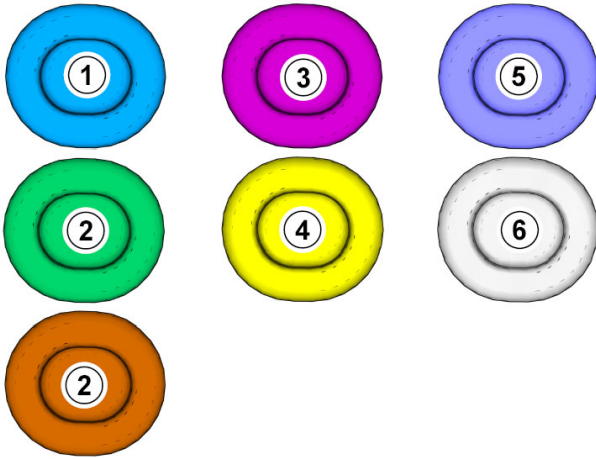
Affected vehicles

Model year	Model
2019, 2020	S60 (19-)
2017, 2018, 2019, 2020	S90 (17-)
2017, 2018, 2019, 2020	S90L
2019, 2020	V60 (19-)
2019, 2020	V60 Cross Country (19-)
2017, 2018, 2019, 2020	V90 (17-)
2017, 2018, 2019, 2020	V90 Cross Country
2018, 2019, 2020	XC60 (18-)
2016, 2017, 2018, 2019, 2020	XC90 (16-)

Materials

Materials	Qty.	Part No.	Notes
Anti-squeak tape	1.0	1161842	

Color symbols



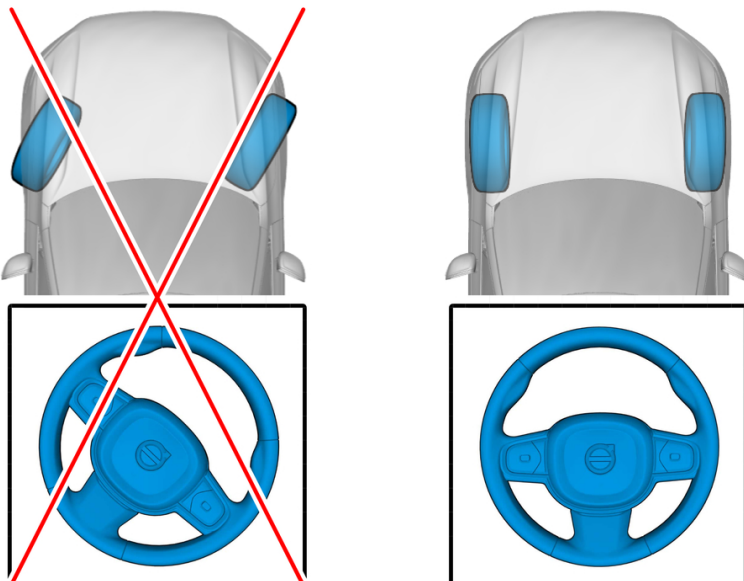
Note! This colour chart displays (in colour print and electronic version) the importance of the different colours used in the images of the method steps.

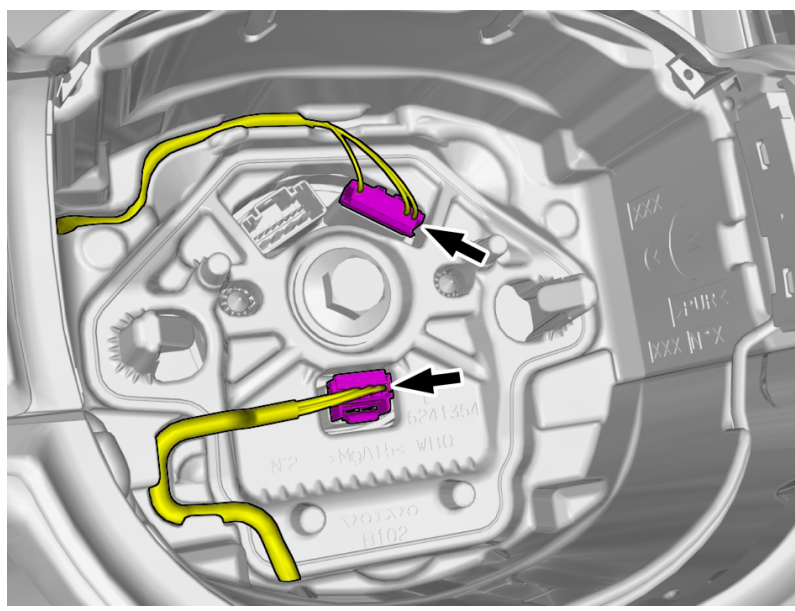
- 1 . Used for focused component, the component with which you will do something.
- 2 . Used as extra colors when you need to show or differentiate additional parts.
- 3 . Used for attachments that are to be removed/installed. May be screws, clips, connectors, etc.
- 4 . Used when the component is not fully removed from the vehicle but only hung to the side.
- 5 . Used for standard tools and special tools.
- 6 . Used as background color for vehicle components.

Removal

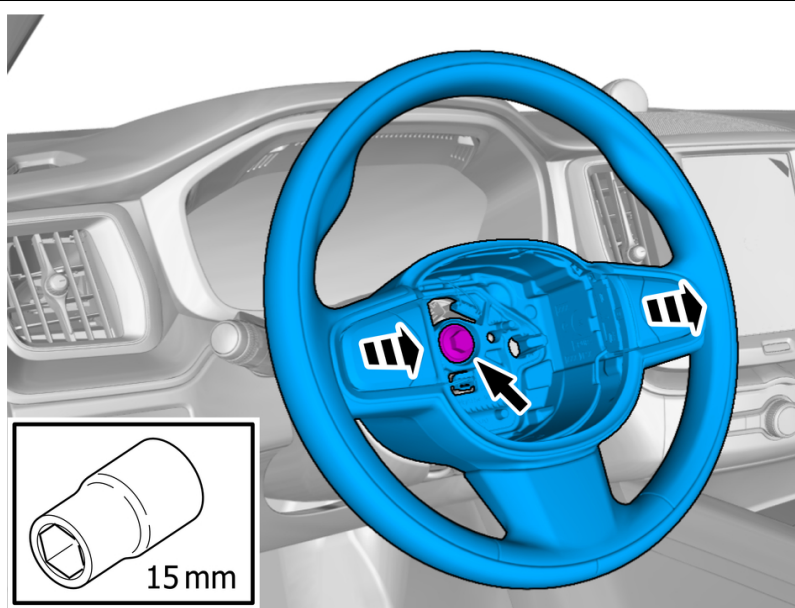
Remove airbag driver's side , refer to:
 Removal, replacement and installation
 8 - Body and interior
 88 - Interior equipment
 884 - seat belt and other restraining systems

Turn the steering wheel into neutral position.

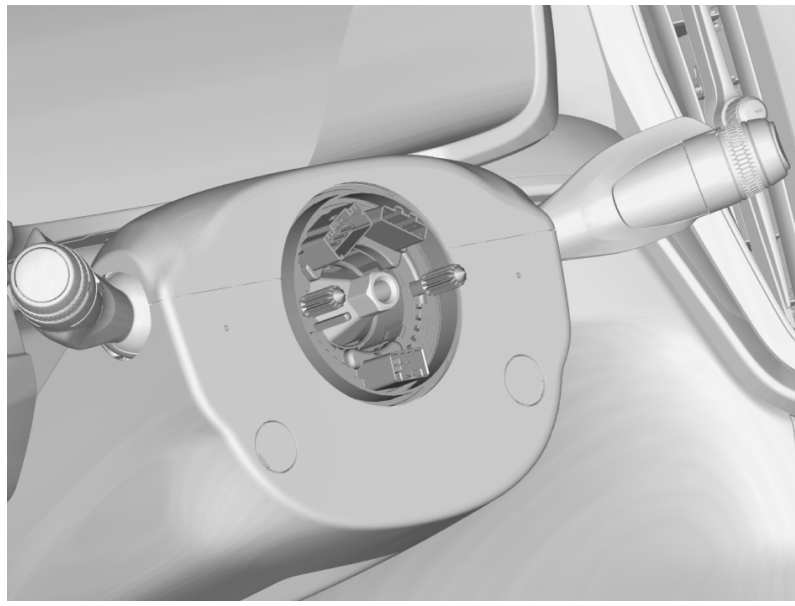




Disconnect the connectors.



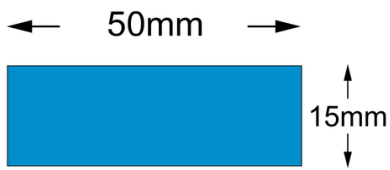
Loosen the screws.
Remove the marked part.



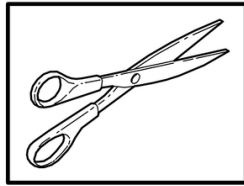
Note! Orientation view

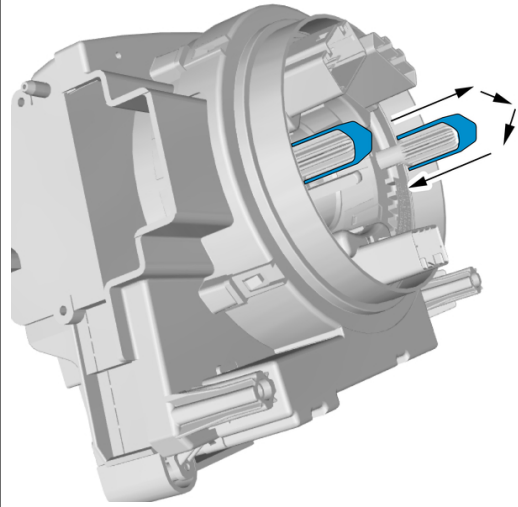
Note! Only use the specified material.

Use: Anti-squeak tape , 1161842

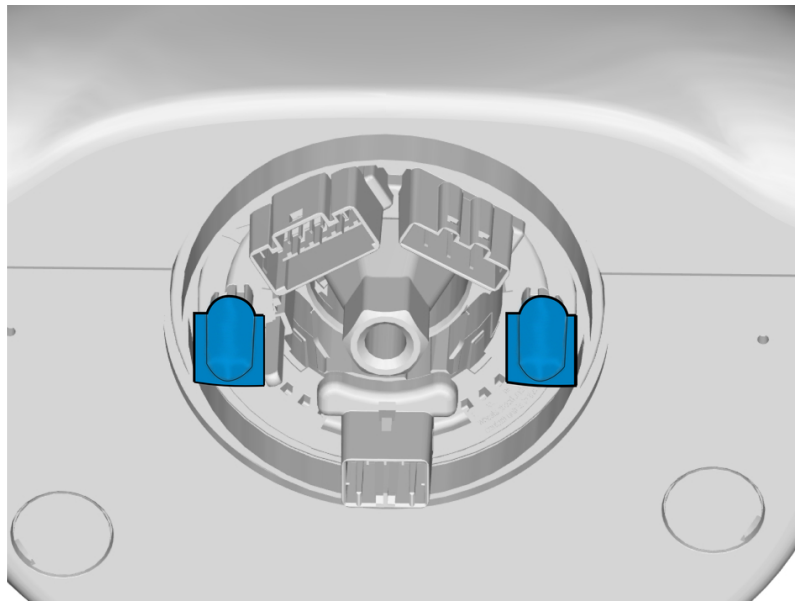


X2



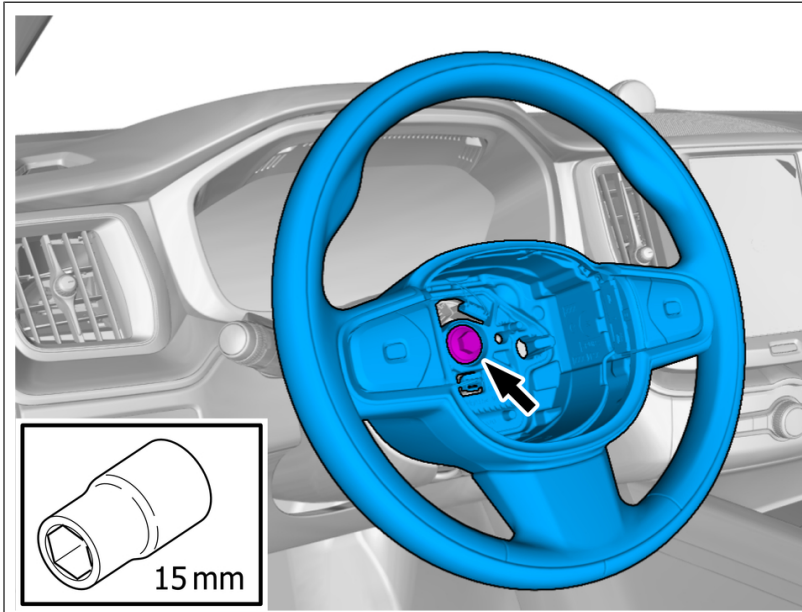


Caution! Make sure the component is fitted as illustrated.



Caution! Make sure the component is fitted as illustrated.

Installation



Install the marked components.

Torque:

Steering wheel to steering column (center screw) , 60 Nm

Fit driver's side airbag , refer to:

Removal, replacement and installation

8 - Body and interior

88 - Interior equipment

884 - seat belt and other restraining systems

Volvo Car Customer Service

TJ Instruction VCC-519196-2

Title	Steering wheel module (SWM)	Page	1 (6)
Action	Product fix	Operation number:	98751-2

Issue	Date	Reason
1	2020-05	First issue

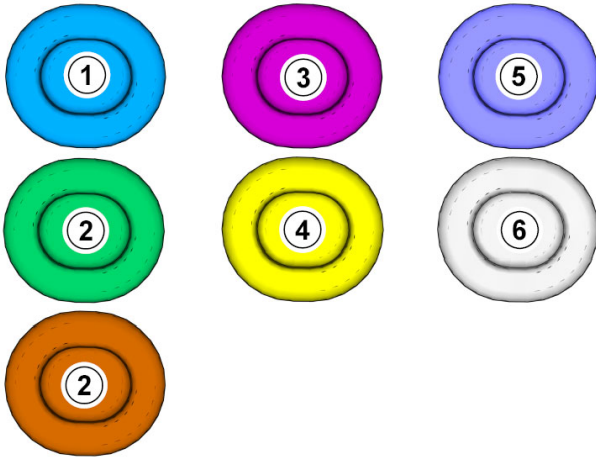
Affected vehicles

Model year	Model
2018, 2019, 2020	XC40

Materials

Materials	Qty.	Part No.	Notes
Anti-squeak tape	1.0	1161842	

Color symbols

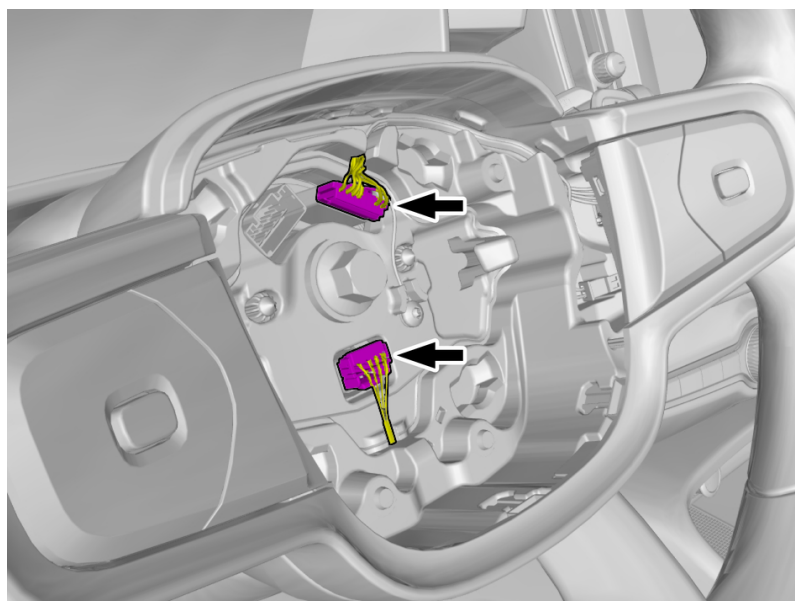


Note! This colour chart displays (in colour print and electronic version) the importance of the different colours used in the images of the method steps.

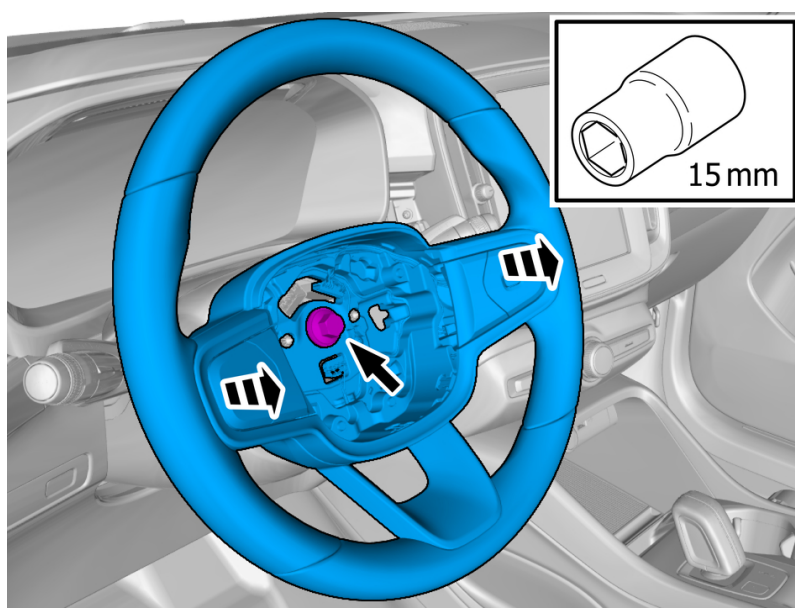
- 1 . Used for focused component, the component with which you will do something.
- 2 . Used as extra colors when you need to show or differentiate additional parts.
- 3 . Used for attachments that are to be removed/installed. May be screws, clips, connectors, etc.
- 4 . Used when the component is not fully removed from the vehicle but only hung to the side.
- 5 . Used for standard tools and special tools.
- 6 . Used as background color for vehicle components.

Removal

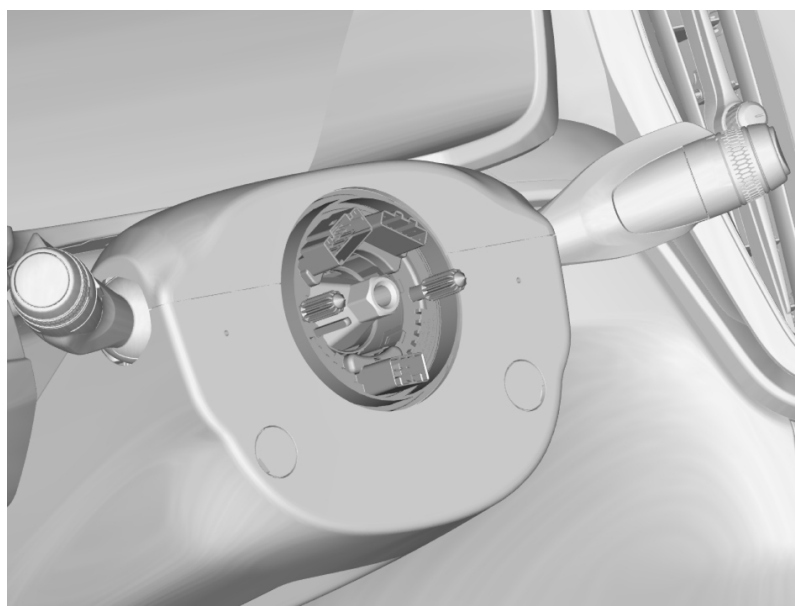
Remove airbag driver's side , refer to:
 Removal, replacement and installation
 8 - Body and interior
 88 - Interior equipment
 884 - seat belt and other restraining systems



Disconnect the connectors.



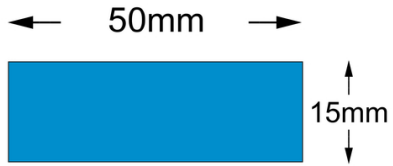
Loosen the screws.
Remove the marked part.



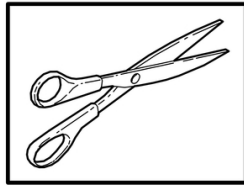
Note! Orientation view

Note! Only use the specified material.

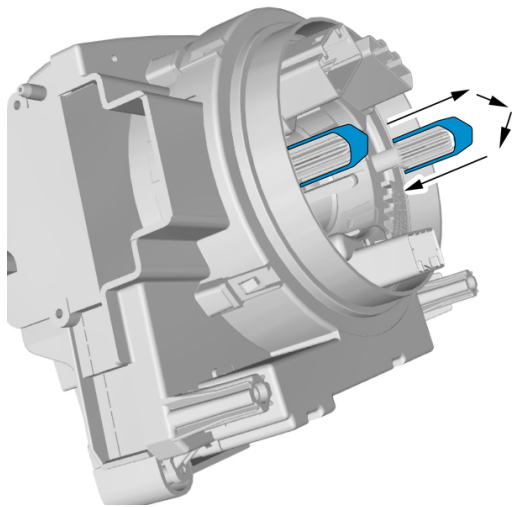
Use: Anti-squeak tape , 1161842

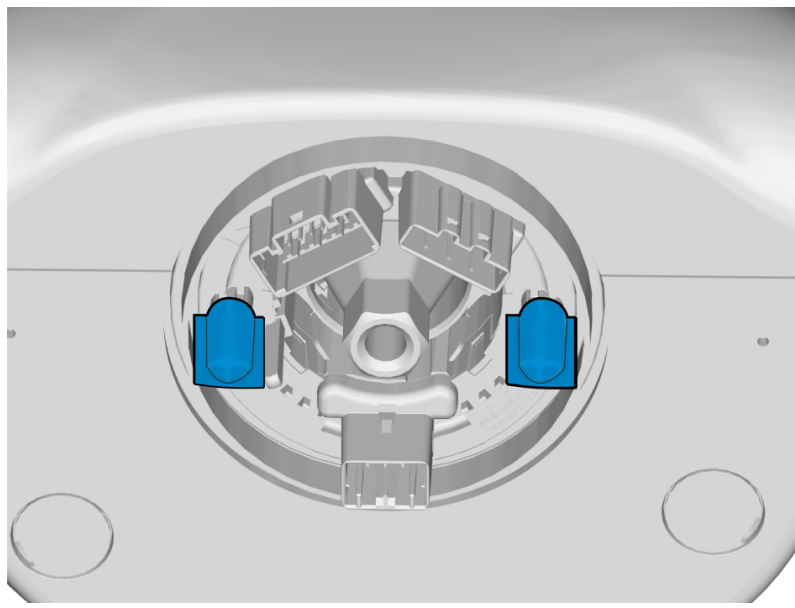


X2



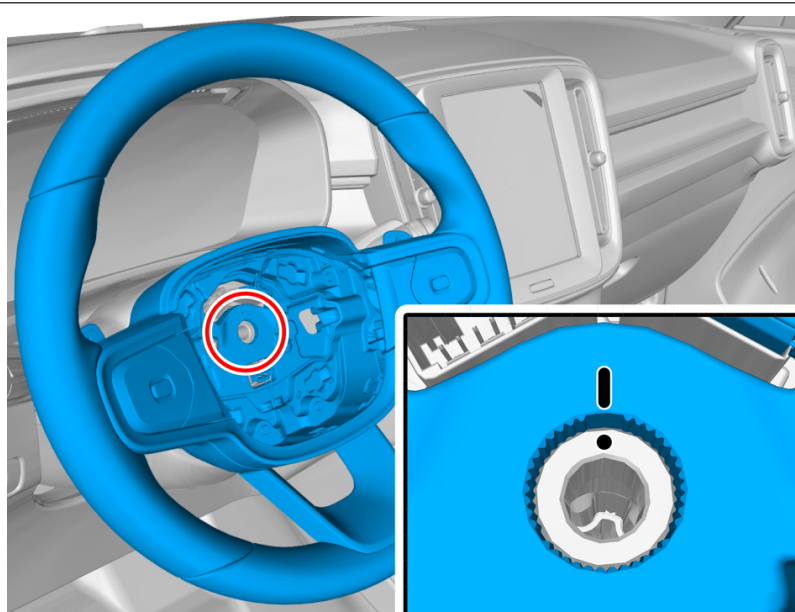
Caution! Make sure the component is fitted as illustrated.





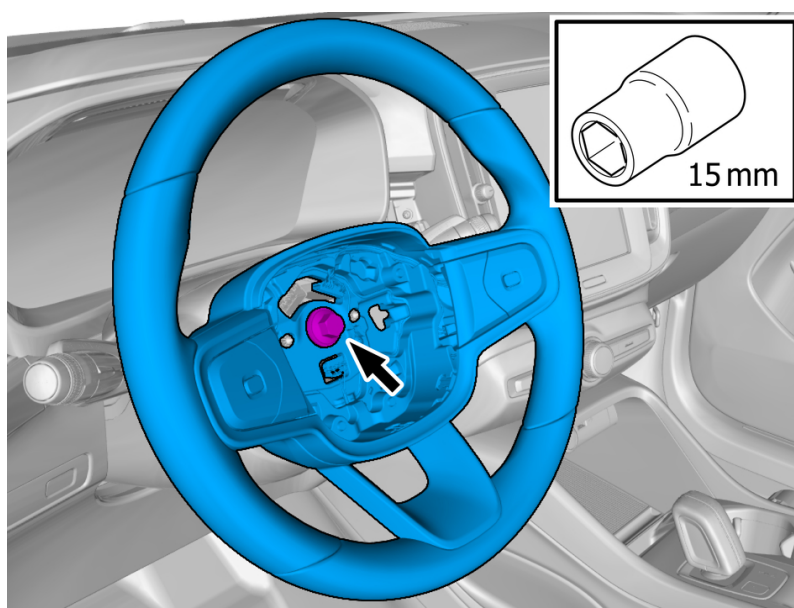
Caution! Make sure the component is fitted as illustrated.

Installation



Note! Make sure that the road wheels are in the straight ahead position.

Note! The markings must be opposite each other.



Install the screw.

Torque:

Steering wheel to steering column (center screw) , 60 Nm

Fit driver's side airbag , refer to:

Removal, replacement and installation

8 - Body and interior

88 - Interior equipment

884 - seat belt and other restraining systems