



SERVICE BULLETIN

Classification: DA18-041a	Reference: NTB18-086a	Date: February 3, 2021
------------------------------	--------------------------	---------------------------

2018-2019 LEAF; REPLACING OR ALIGNING DISTANCE SENSOR (ICC SENSOR) BRACKET OR CHARGE PORT LID

This bulletin has been amended. See **AMENDMENT HISTORY** on the last page.
Please discard previous versions of this bulletin.

APPLIED VEHICLES: 2018-2019 LEAF (ZE1)

SERVICE INFORMATION

If a distance sensor (ICC sensor) bracket is removed or replaced (see Figure 1 on the next page):

- Take care when handling the distance sensor bracket. It can be damaged if dropped.
- Do not bend the distance sensor bracket to adjust radar alignment.
NOTE: If the distance sensor is difficult to align, confirm the bracket is not bent by comparing it to a known good vehicle.
- Always perform an ICC Sensor Alignment (Radar Alignment Procedure) whenever the distance sensor bracket is removed or replaced.
 - To locate the Radar Alignment Procedure in the Electronic Service Manual (ESM), select the "Trouble Diagnosis" section and enter **ICC Sensor Alignment** into the Title Search field.

If a charge port lid is removed or replaced:

- Do not bend the charge port lid frame to adjust (Figure 2).
- Do not bend any of the components attached to the charge port bracket (Figure 2).
- To locate the Charge Port Lid Adjustment Specs and Procedure in the ESM, select the "Inspection, Removal, and Installation" section and enter **Charge Port Lid Assembly** into the Title Search field.
- Always perform an ICC Sensor Alignment (Radar Alignment Procedure) whenever any of the components called out in Figure 2 are removed or replaced.
 - To locate the Radar Alignment Procedure in the Electronic Service Manual (ESM), select the "Trouble Diagnosis" section and enter **ICC Sensor Alignment** into the Title Search field.

Nissan Bulletins are intended for use by qualified technicians, not 'do-it-yourselfers'. Qualified technicians are properly trained individuals who have the equipment, tools, safety instruction, and know-how to do a job properly and safely. NOTE: If you believe that a described condition may apply to a particular vehicle, DO NOT assume that it does. See your Nissan dealer to determine if this applies to your vehicle.

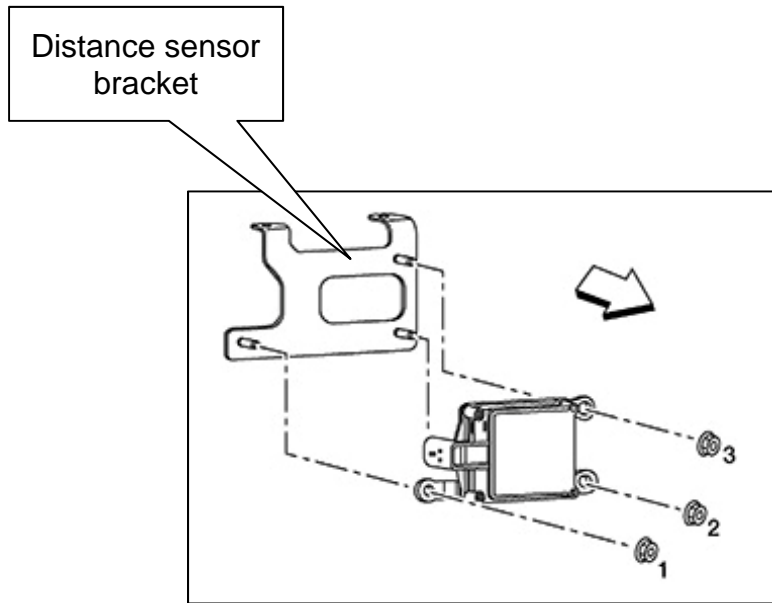


Figure 1

IMPORTANT: Do not bend any of the components called out in Figure 2. If components do not align, one or more associated components may already be bent and must be replaced.

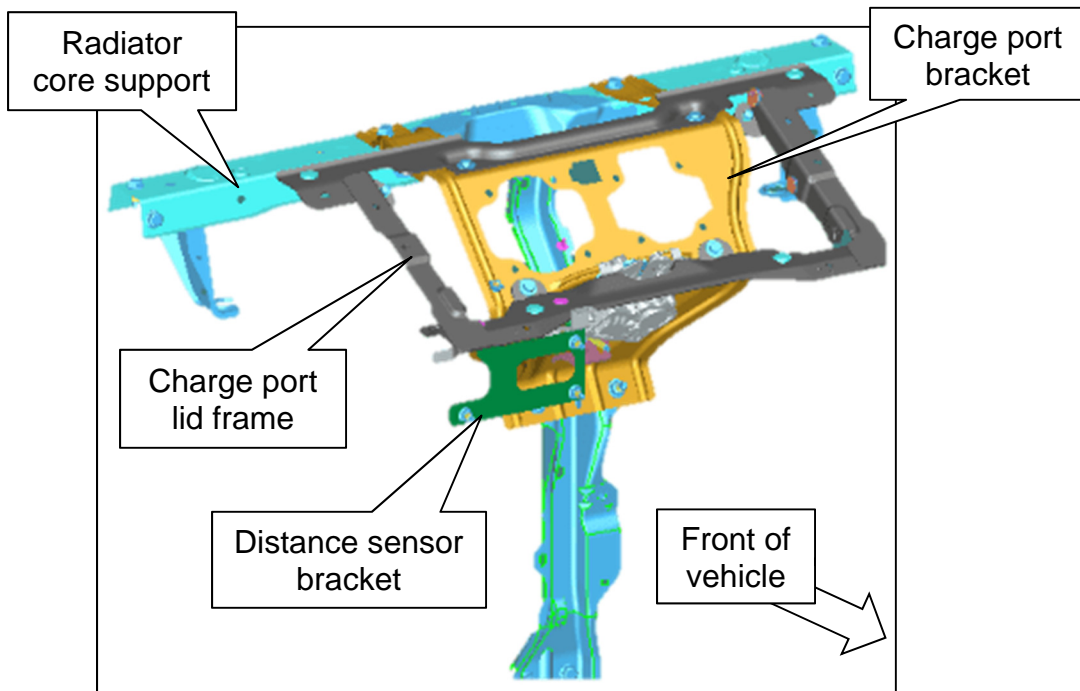


Figure 2

AMENDMENT HISTORY

PUBLISHED DATE	REFERENCE	DESCRIPTION
December 18, 2018	NTB18-086	Original bulletin published
February 3, 2021	NTB18-086a	Classification number update