

JLRTB02071NAS1

TECHNICAL BULLETIN

15 FEB 2021



© Jaguar Land Rover North America, LLC

NOTE: The information in Technical Bulletins is intended for use by trained, professional Technicians with the knowledge, tools, and equipment required to do the job properly and safely. It informs these Technicians of conditions that may occur on some vehicles, or provides information that could assist in proper vehicle service. The procedures should not be performed by 'do-it-yourselfers'. If you are not a Retailer, do not assume that a condition described affects your vehicle. Contact an authorized Land Rover service facility to determine whether this bulletin applies to a specific vehicle.

INFORMATION

SECTION:

501-10

SUBJECT/CONCERN:

Second Row Seat Backrest 'Sticking' Noise

AFFECTED VEHICLE RANGE:

MODEL:	MODEL YEAR:	VIN:	ASSEMBLY PLANT:	APPLICABILITY:
I-PACE (X590)	2021	605262-608633	Graz (Austria)	Vehicles With: 40/20/40 Split Seat

MARKETS:

NORTH AMERICA

CONDITION SUMMARY:**SITUATION:**

A noise can be heard coming from the second row 40% seats when the seats are occupied, most noticeably when moving back and forth during acceleration and braking.

CAUSE:

Anti-squeak agent forming a temporary bond to the second row seat backrest frame.

ACTION:

Follow the instructions below.

PARTS:

PART NUMBER	DESCRIPTION	QUANTITY
J9C32661	Noise, Harshness and Vibration (NVH) cloth	2
T4K1469	Center seatbelt buckle - Bolt	1

WARRANTY:**NOTES:**

- Repair procedures are under constant review, and therefore times are subject to change; those quoted here must be taken as guidance only. Use TOPIx to obtain the latest repair time.
- The JLR claims submission system requires the use of causal part numbers. Labor only claims must show the causal part number with a quantity of zero.

DESCRIPTION	SRO	TIME (HOURS)	CONDITION CODE	CAUSAL PART
JLRTB02071 - Install NVH cloth	99.01.45	0.7	EK	T4K1333

NOTE:

Normal Warranty procedures apply.

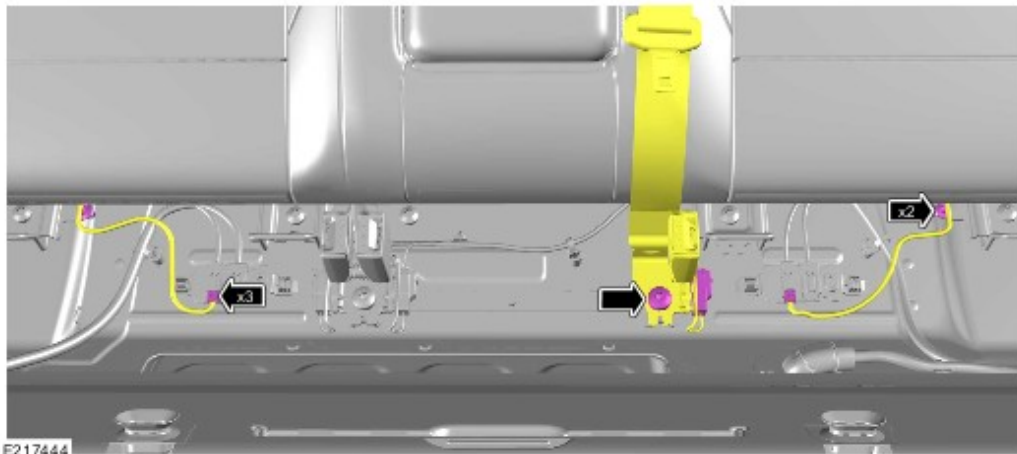
SERVICE INSTRUCTION:

NOTES:

- This procedure contains some variation in the illustrations depending on the vehicle specification, but the essential information is always correct.
- This procedure contains illustrations showing certain components removed to provide extra clarity.

1. Remove the second row seat cushion (see TOPIx Workshop Manual section 501-10: Seating - Removal and Installation - Second Row Seat Cushion).

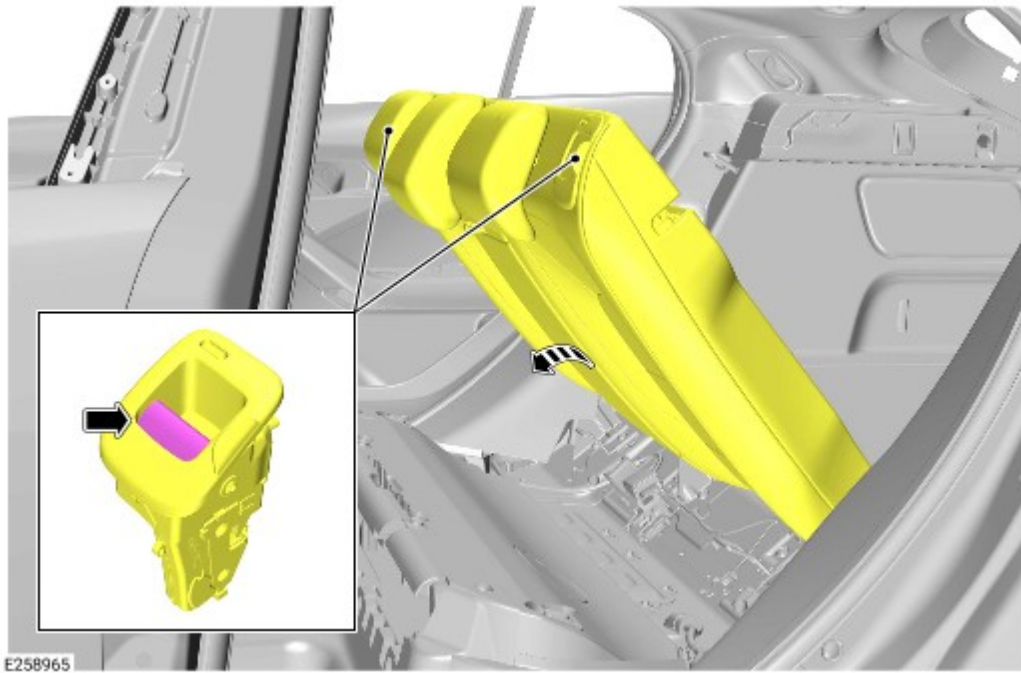
2.



Release the second row seat center seatbelt buckle.

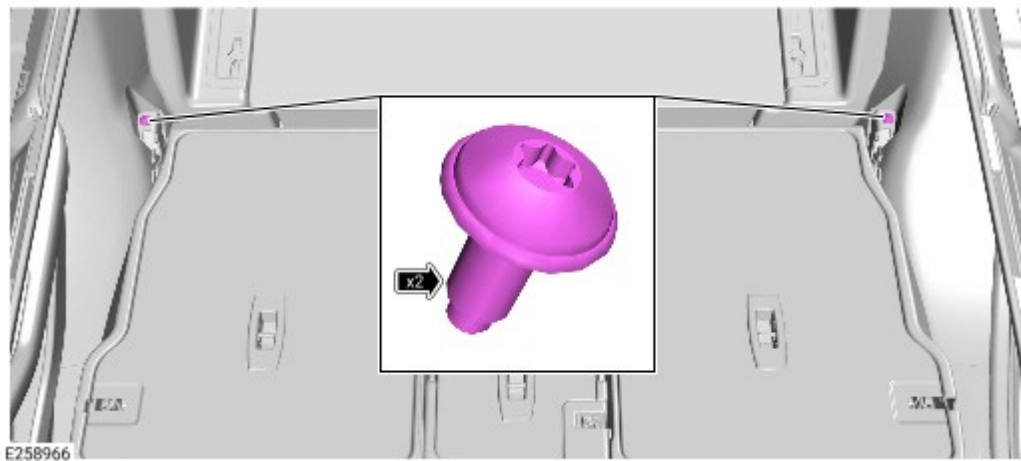
- Remove the bolt.
 - Torque: **48 Nm**
- Disconnect the 3 electrical connectors.
- Remove the 2 wiring harness clips.

3.



Fold the second row seat backrest down.

4.



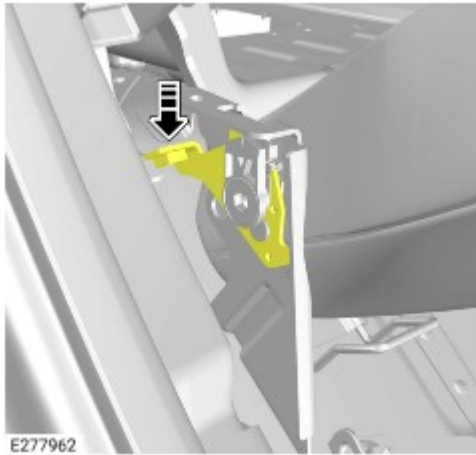
Remove the 2 locking arm bolts.

- Torque: **22.5 Nm**

5.

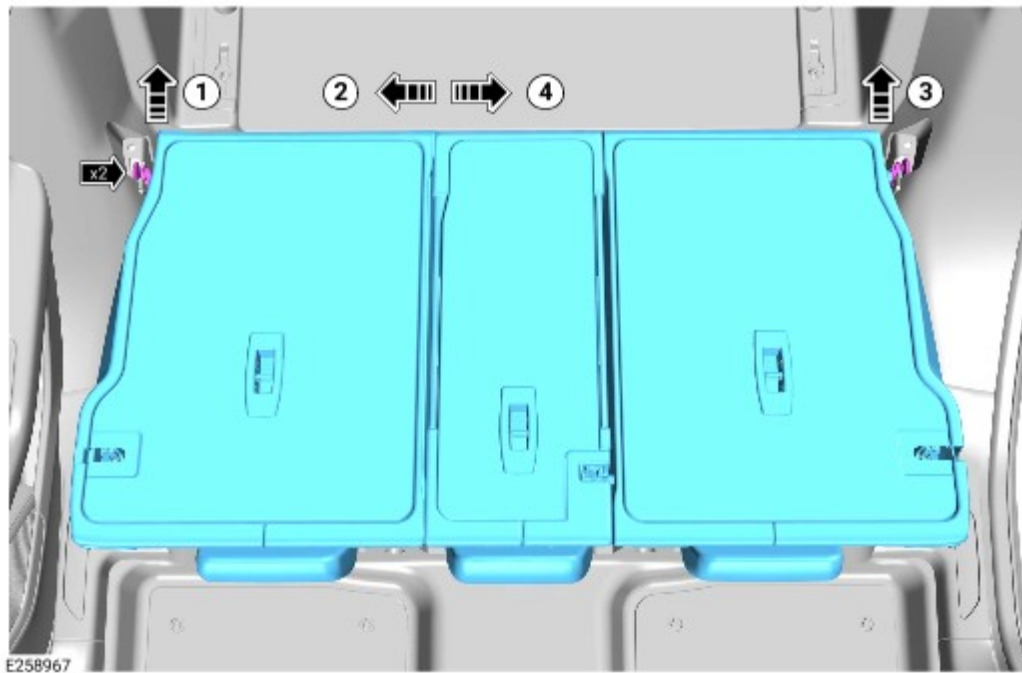
NOTE:

Repeat this step for the other side.



Use a suitable tool to release the locking arm.

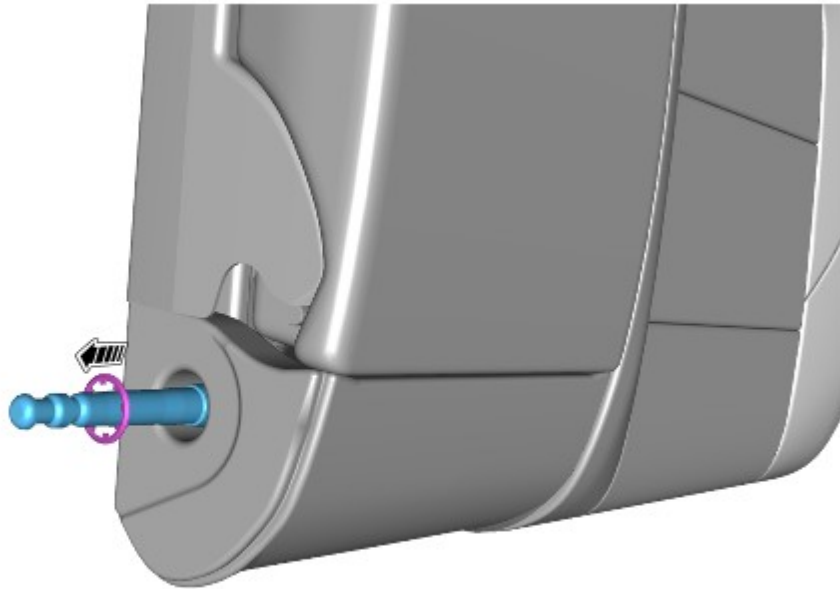
6.



Remove the second row seat backrest.

1. Raise right second row seat backrest upward from the locking arm.
2. Pull the right second row seat backrest towards the outside of the vehicle.
3. Raise left second row seat backrest upward from the locking arm.
4. Pull the left second row seat backrest towards the outside of the vehicle.

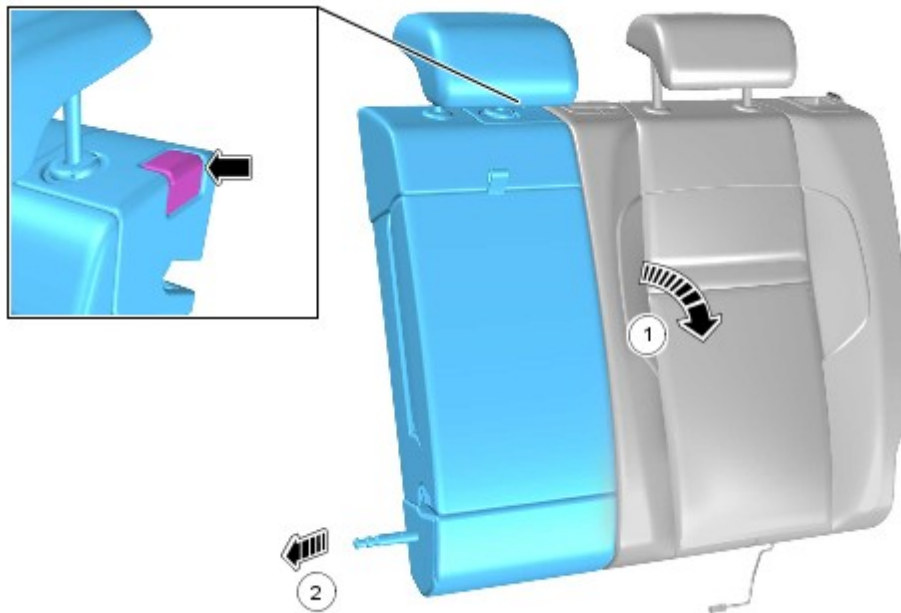
7.



E278340

Using suitable tool, remove the self locking washer from the spindle.

8.

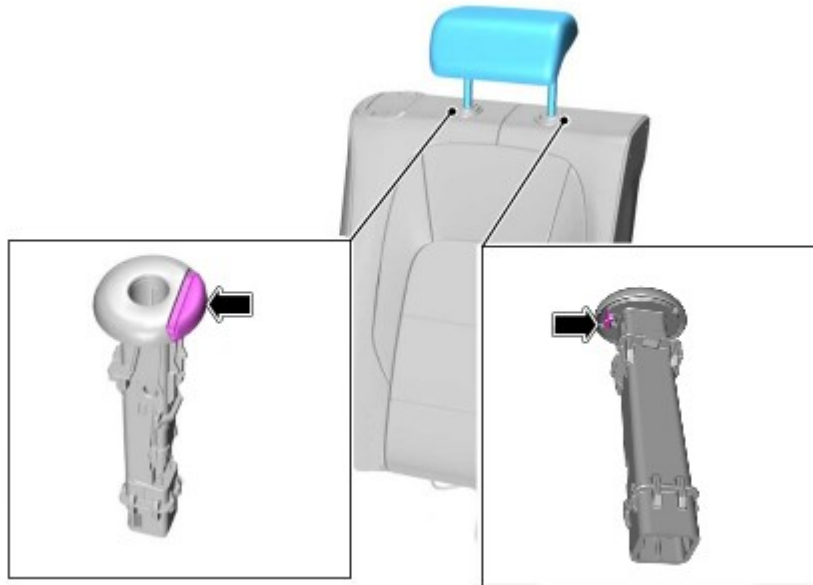


E233558

Remove the center armrest.

1. Fold down the center armrest.
2. Pull the center armrest away from the left second row seat backrest.

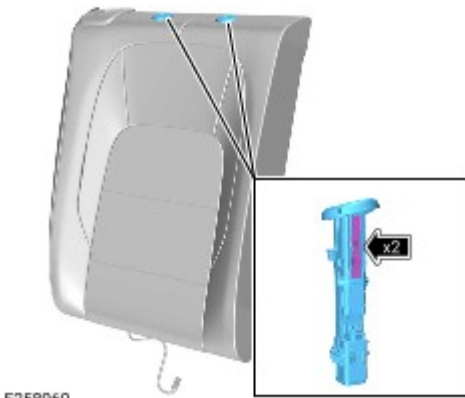
9.



E278622

Remove the head restraint.

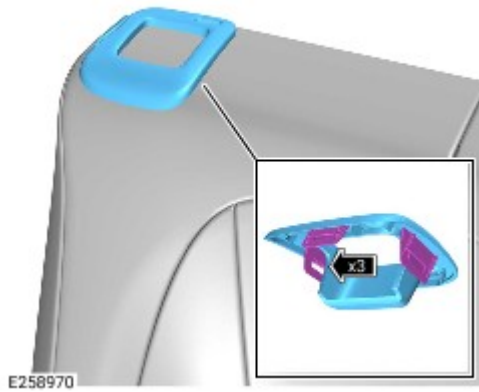
10.



E258969

Use a suitable tool to remove the second row seat head restraint guides.

11.



Remove the second row seat latch cover.

12.



Remove the bolt and the bush.

13.



Release the second row seat backrest cover from the frame.

14.

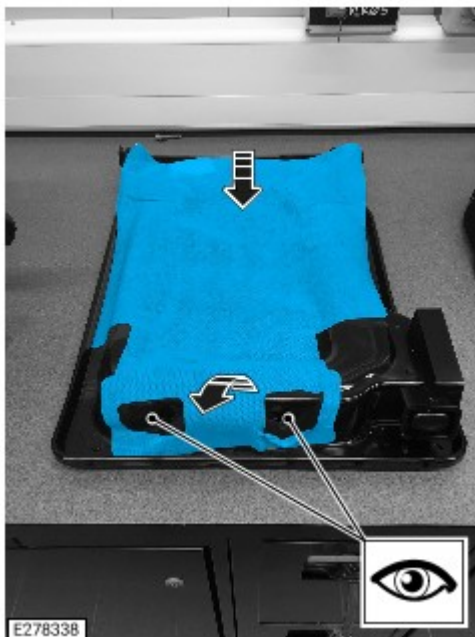


Remove the second row seat backrest foam and cover from the frame.

15.

NOTE:

Make sure the openings in the NVH cloth are positioned around the head restraint guide holes.



Install the NVH cloth on to the frame in the position shown in the illustration.

16.

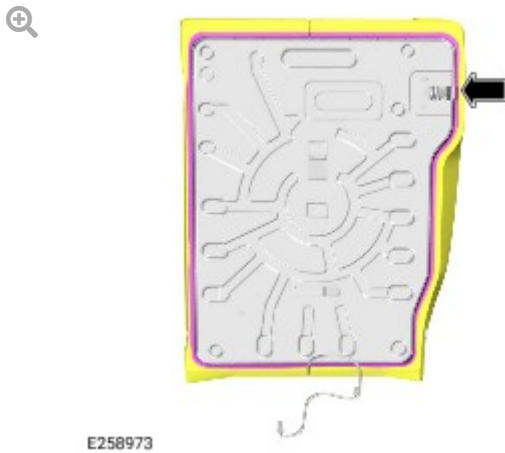
NOTE:

Make sure the NVH cloth remains in position when positioning the second row backrest cushion and cover.



Reposition the second row backrest foam and cover onto the frame.

17.



Secure the second row seat backrest cover from the frame.

18.



E258971

Install the bush.

- Install and tighten the bolt.
- Torque: **35 Nm**

19.



E258970

Install the second row seat latch cover.

20.



E258969

Install the second row seat head restraint guides.

21.



E258968

Install the head restraint.

22. Repeat steps 9 to 21 for the other second row seat backrest.

23. To install the second row seat backrest, reverse steps 1 to 8.