



01-20-05 - MIL ON, DTC P0111

Release date: 2/16/2021

Condition

Applicable Vehicles					
Model(s)	Year	Eng. Code	Trans. Code	VIN Range From	VIN Range To
Jetta	2018	1.4T (CZTA)	All	All	All
Golf	2020	1.4T (DGXA)	All	All	All

Revision Table			
Instance Number	Published Date	Version Number	Reason For Update
2061109/2	2/16/21	01-20-05	To include additional model and model year applicability.
2061109/1	11/2/20	01-20-05	Original publication.

Technical Background

The Engine/Motor Control Module -**J623**- compares the temperature variance between the Charge Air Pressure Sensor -**GX26**- and Intake Manifold Sensor -**GX9**- during start up.

Due to the close proximity of the Charge Air Pressure Sensor -**GX26**- to the engine hood along with high temperature days, the sensor can get too warm. When the Engine/Motor Control Module -**J623**- self-checks both sensors (-**GX26**,-**GX9**-) during engine start up, a check engine light with P0111 will be set.

DTC	Description
P0111	Intake Air Temperature Sensor 1 Bank 1 Circuit Range/Performance

Production Solution

No production solution as production has ended.



01-20-05 - MIL ON, DTC P0111

Release date: 2/16/2021

Service

Inspect both the Charge Air Pressure Sensor -**GX26**- and Intake Manifold Sensor -**GX9**- part numbers to insure they are the correct and that both sensors are in the correct location (Charge Air Pressure Sensor -**GX26**- is not in the Intake Manifold Sensor -**GX9**- location and vice versa).

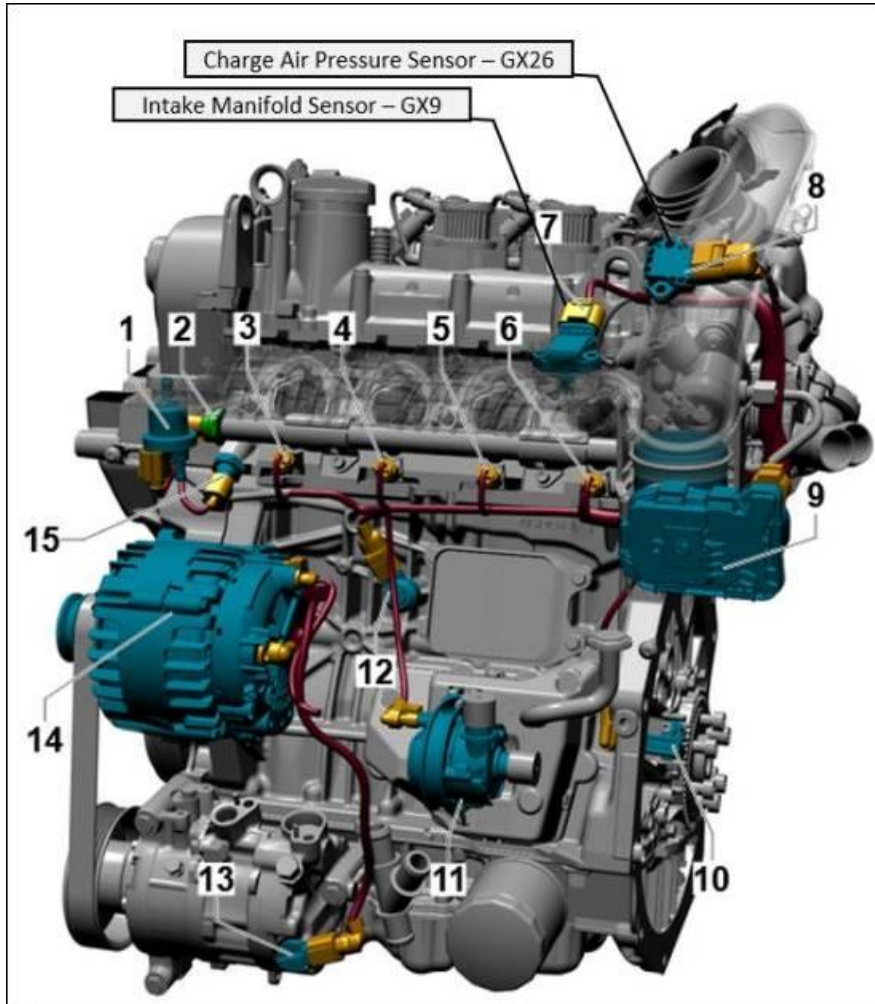


Figure 1: DGXA



01-20-05 - MIL ON, DTC P0111

Release date: 2/16/2021

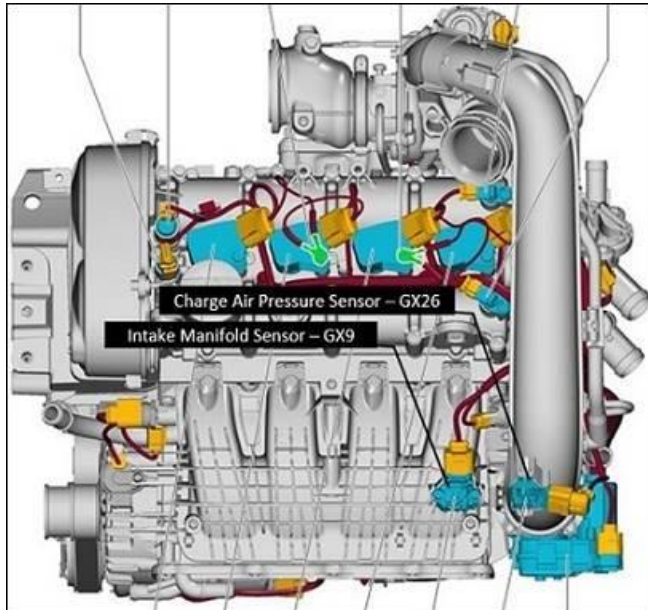


Figure 2: CZTA

**Tip:**

The sensors do NOT need to be removed to check the part number. The air box does have to be raised slightly to see the Intake Manifold Sensor - **GX9**.

**Note:**

If the sensors are the wrong part number or in the wrong location, this Technical Bulletin no longer applies and the correct sensor part number needs to be installed into the correct location.

If both part numbers are correct and the sensors are in the correct location, install the engine hood blanket.



01-20-05 - MIL ON, DTC P0111

Release date: 2/16/2021

Warranty



Note:

All documentation is needed for reimbursement and must be uploaded to WISE. For information on uploading documents and pictures in WISE, go to WISE > Resource Center > Dealer Processes & Guide, select pdf file: Wise Operations Section – Doc-IT Technical Bulletin Uploading Process Job Aid.

To determine if this procedure is covered under Warranty, always refer to the Warranty Policies and Procedures Manual ¹⁾					
Model(s)	Year(s)	Eng. Code(s)	Trans. Code(s)	VIN Range From	VIN Range To
Golf	2020	1.4T (DGXA)	All	All	All
Jetta	2018	1.4T (CZTA)	All	All	All
SAGA Coding					
Claim Type:		Use applicable Claim Type ¹⁾			
Service Number:	Damage Code	HST	Damage Location (Depends on Service No.)		
7017	0012	--	000		
Parts Manufacturer		Jetta		3ME ²⁾	
Labor Operation ³⁾ : Charge Battery			27068950 = See Elsa for latest time units.		
Labor Operation ³⁾ : Install Hood Blanket (MY18 Jetta)			70171999 = 10 TU		



01-20-05 - MIL ON, DTC P0111

Release date: 2/16/2021

Labor Operation ³⁾ : Install Hood Blanket (MY20 Golf)		70171999 = 10 TU
Causal Part: Select labor operation		70171999
Diagnostic Time ⁴⁾		
GFF Time expenditure	01500000 = Actual GFF print out, Max 50 TU	YES
Road Test	01210002 = 00 TU 01210004 = 00 TU	NO
Technical Diagnosis	01320000 = 60 TU max.	YES
Claim Comment: Input "As per Technical Bulletin 2061109" in comment section of Warranty Claim.		
<p>¹⁾ Vehicle may be outside any Warranty in which case this Technical Bulletin is informational only.</p> <p>²⁾ Code per warranty vendor code policy.</p> <p>³⁾ Labor Time Units (TUs) are subject to change with ELSA updates.</p> <p>⁴⁾ Documentation required per Warranty Policies and Procedures Manual.</p>		



01-20-05 - MIL ON, DTC P0111

Release date: 2/16/2021

Required Parts and Tools

Part No:	Part Description	Quantity
5C6 863 831 H*	MY18 Jetta Sound Absorber for Engine Lid	1
8E0 863 727 A*	MY18 Jetta Retaining Clips	15
5GM 863 831*	MY20 Golf Sound Absorber for Engine Lid	1

Part numbers are accurate at time of publication. Always refer to ETKA for the latest part information.

Tool Description	Tool No:
Midtronics Battery Tester/Charger	GRX3000VAS or MTRMSP0702 battery maintainer/charger
VAS Diagnostic Tool	VAS 6150/X & VAS 6160/X and ODIS Service with: current online updates

Additional Information

All part and service references provided in this Technical Bulletin are subject to change and/or removal. Always check with your Parts Dept. and Repair Manuals for the latest information.